

4

3

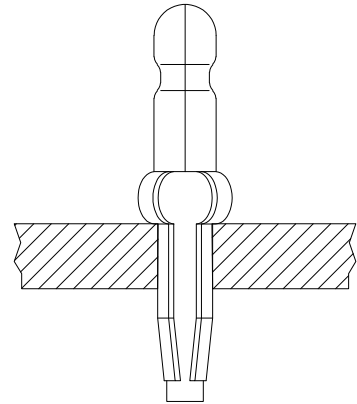
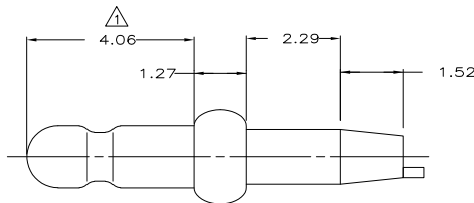
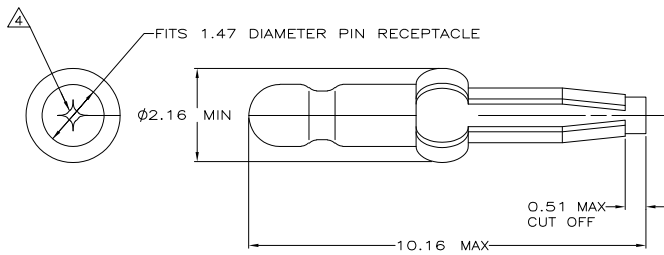
2

1

THIS DRAWING IS UNPUBLISHED. RELEASED FOR PUBLICATION
 © COPYRIGHT BY TYCO ELECTRONICS CORPORATION. ALL RIGHTS RESERVED.

LOC	DIST	REVISIONS					
CM	0	P	LTR	DESCRIPTION	DATE	BY	APP'D
		N1		REVISED PER ECO-05-015502	07DEC05	KW	JE

- 1. 0.00076 MIN GOLD PLATING IN THIS AREA WITH 0.00381 MIN MATTE TIN LEAD ON THE REMAINDER, BOTH OVER 0.00127 MIN NICKEL UNDERPLATE.
- 2. FITS 1.17 - 1.27 DIAMETER HOLE IN A 1.57 OR 2.39 PRINTED CIRCUIT BOARD.
- 3. PARTS TO COMPLY WITH AMP SOLDERABILITY SPECIFICATION 109-11-3.
- 4. 0.05 - 0.25 DIAMETER OPENING REQUIRED IN TIP OF PIN.
- 5. 0.00076 MIN GOLD PLATING IN THIS AREA WITH 0.00381 MIN MATTE TIN ON THE REMAINDER, BOTH OVER 0.00127 MIN NICKEL UNDERPLATE.



3-61067-1
61067-1
FINISH
PART NUMBER

0.13	.005	1.27	.050	2.29	.090	-	-
0.05	.002	1.17	.046	2.16	.085	-	-
0.00381	0.000150	1.02	.040	1.57	.062	10.16	.400
0.00127	0.000050	0.51	.020	1.52	.060	4.06	.160
0.00076	0.000030	0.25	.010	1.47	.058	2.39	.094
MM	IN	MM	IN	MM	IN	MM	IN

CONVERSION TABLE



THIS DRAWING IS A CONTROLLED DOCUMENT.

DIMENSIONS: mm TO RANGE'S DIM. FOR DIMENSIONS: DECIMALS 0 PLG ± - 1 PLG ± - 2 PLG ± - 3 PLG ± 0.13 4 PLG ± - H. ANGLES ± - FINISH SEE TABLE	DWG T. BECK 8-22-97 CHK R. SWING 8-22-97 D. BEDDICK 9-10-97 PRODUCT SPEC 108-1025 APPLICATION SPEC 114-1008 WEIGHT - CUSTOMER DRAWING	Tyco Electronics Corporation Harrisburg, PA 17105-3608 PIN, .058 DIAMETER, PHOSPHOR BRONZE, PRESS FIT, LOOSE PIECE, P.C. CONTACT	SIZE CASE CODE DRAWING NO. RESTRICTED TO A2 00779 C-61067 - SCALE 15:1 SHEET 1 of 1 REV N1
---------------------------------------------------------------------------------------------------------------------------------------------------------------------------	---------------------------------------------------------------------------------------------------------------------------------------------------------	----------------------------------------------------------------------------------------------------------------------------------------------	--------------------------------------------------------------------------------------------------

AMP 1471-9 REV 31MAR2000

61067

A