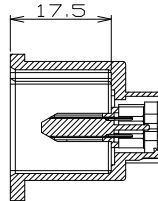
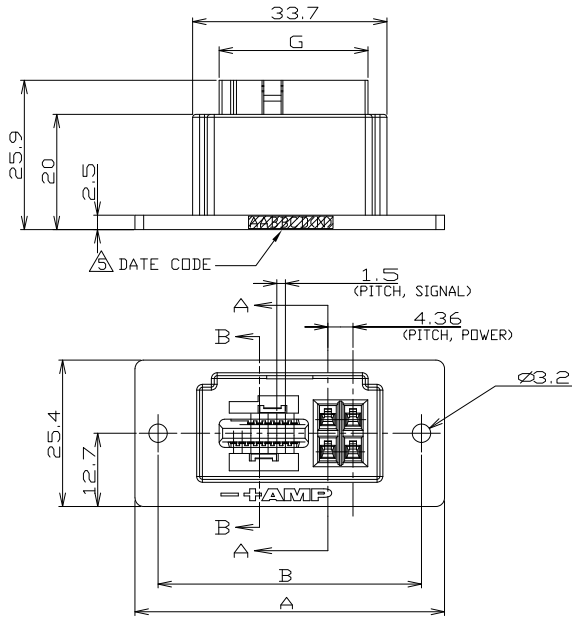
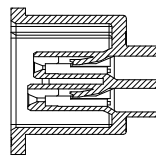


THIS DRAWING IS UNPUBLISHED. RELEASED FOR PUBLICATION.
 © COPYRIGHT BY TYCO ELECTRONICS CORPORATION. ALL RIGHTS RESERVED.

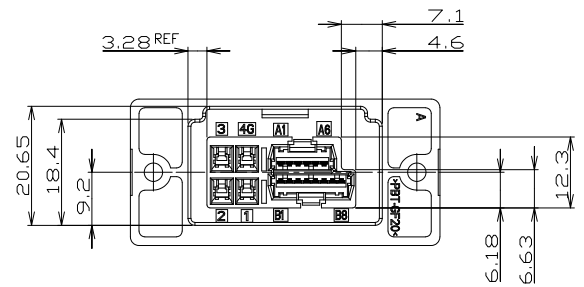
REVISONS		DATE	BY	APP'D
F	LR			
B1	REVISED EDR-07-028230	26NOV07	A,L	S,Y



SECT B-B



SECT A-A



- NOTES:
- ① USE WITHMT REC CONN P/N: X-353293-X
 - ② USE WITHMT REC CONN P/N: X-353908-X
 - CRIMP HSG P/N: 353907-1
 - CRIMP CONT P/N: 353918-1(L/P)
 - ③ USE WITH POWER CONTACT P/N:1123907-1(KNOT ASSEMBLED WHEN SHIPPED)
 - ④ MATERIAL: HOUSING :GLASS FILLED THERMOPLASTIC,UL94V-0,GRAY
 - SIGNAL CONTACT:BRASS
 - ⑤ FINISH (SIGNAL CONTACT): NICKEL UNDERPLATE ALL OVER
 - LATTICE MATING AREA:GOLD PLATE
 - MINI CT MATING AREA:MATTE TIN PLATE
 - ⑥ LOCATION OF DATE CODE: AABBCD(N)
 - (AA: YEAR, BB: WEEK, C: DAY OF WEEK, D: DAYTIME, N: NIGHT)

11.3	25.82	3.75	4.25	34.7	33.7	45.7	53.7	C	14(6+8)	4	5-292246-4
11.3	25.82	3.75	4.25	34.7	33.7	45.7	53.7	B	14(6+8)	4	3-292246-4
11.3	25.82	2.05	2.55	34.7	33.7	45.7	53.7	A	14(6+8)	4	1-292246-4
WEIGHT (g)	G	F	E	D	C	B	A	KEY TYPE	SIGNAL POSITION	POWER SIZE	PART NUMBER

THIS DRAWING IS A CONTROLLED DOCUMENT.

DIMENSIONS: mm	TOLERANCES UNLESS OTHERWISE SPECIFIED:	0 PLG ± .1	1 PLG ± .1	2 PLG ± .1	3 PLG ± .1	4 PLG ± .1	ANGLES ± .5	FINISH								
MATERIAL	SEE NOTE	FINISH	SEE NOTE	DATE	11/26/07	SIZE	A2	ONE CODE	00779	DRAWING NO.	C=292246	RESTRICTED TO	-			
THIS DRAWING IS A CONTROLLED DOCUMENT.	DM JIANG	OFFER03	T. SASAKI	OFFER03	NAME	108-60028	APPLICATION SPEC	114-5256	WEIGHT	CUSTOMER DRAWING	SCALE	NTS	SHEET	1 of 3	REV	B1

Ytyco Electronics Corporation
 Shanghai ,PRC 200233

RECEPTACLE ASSEMBLY
 FOR AMP 1.5 PITCH MINI CT
 HYBRID LATTICE CONNECTOR

4

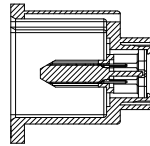
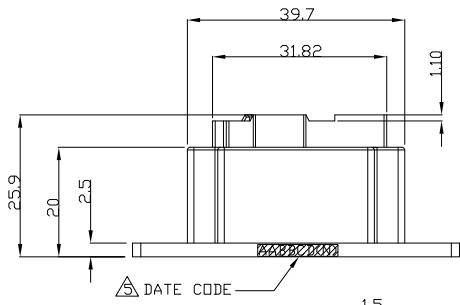
3

2

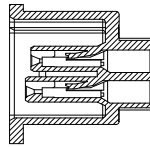
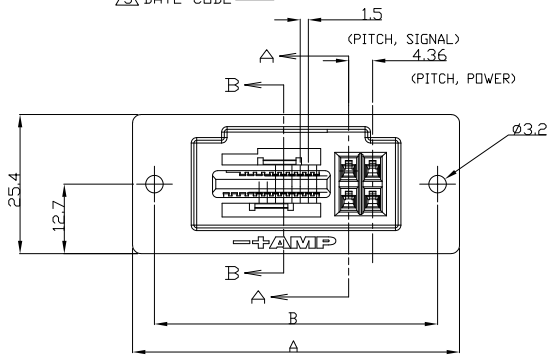
1

THIS DRAWING IS UNPUBLISHED. RELEASED FOR PUBLICATION BY TYCO ELECTRONICS CORPORATION. ALL RIGHTS RESERVED.

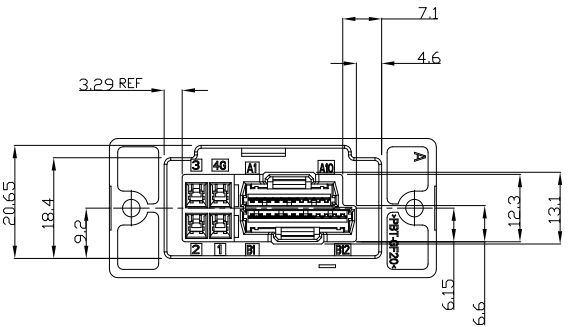
LOC	DIST	REVISIONS			
		REV	DATE	BY	APP
		1			
		DESCRIPTION			
		SEE SHEET 1			



SECT B-B



SECT A-A



NOTES:

- ① USE WITHMT REC. CONN P/N: X-353293-X
CRIMP HSG P/N: X-353908-X
CRIMP CNT P/N: 353907-1
353918-1(L/P)
- ② USE WITH POWER CONTACT P/N:1123907-1(KNOT ASSEMBLED WHEN SHIPPED)
- ③ MATERIAL:
HOUSING :GLASS FILLED THERMOPLASTIC,UL94V-0,GRAY
SIGNAL CONTACT:BRASS
- ④ FINISH (SIGNAL CONTACT):
NICKEL UNDERPLATE ALL OVER
LATTICE MATING AREA:GOLD PLATE
MINI CT MATING AREA: MATTE TIN PLATE
- ⑤ LOCATION OF DATE CODE: AABBCD(N)
(AA: YEAR, BB: WEEK, C: DAY OF WEEK, D: DAYTIME, N: NIGHT)

13.0	31.82	6.75	7.25	40.7	39.7	51.7	59.7	C	22(10+12)	4	6-292246-2
13.0	31.82	6.75	7.25	40.7	39.7	51.7	59.7	B	22(10+12)	4	4-292246-2
13.0	31.82	5.05	5.55	40.7	39.7	51.7	59.7	A	22(10+12)	4	2-292246-2
WEIGHT (g)	G	F	E	D	C	B	A	KEY TYPE	SIGNAL POSITION	POWER SIZE	PART NUMBER

THIS DRAWING IS A CONTROLLED DOCUMENT.

DIMENSIONS: mm	TOLERANCES UNLESS OTHERWISE SPECIFIED	DWG: OK	DATE: 02/24/99	NAME: [Signature]
MATERIAL	FINISH	PRODUCT SPEC	APPLICATION SPEC	WEIGHT
CUSTOMER DRAWING		SIZE: A2	CAGE CODE: 00779	DWG NO: 292246
		SCALE: NTS	SHEET: 2 of 3	REV: B1

TYCO ELECTRONICS CORPORATION
Shanghai, PRC 200233

RECEPTACLE ASSEMBLY
FOR AMP 1.5 PITCH MINI CT
HYBRID LATTICE CONNECTOR

RESTRICTED TO

4

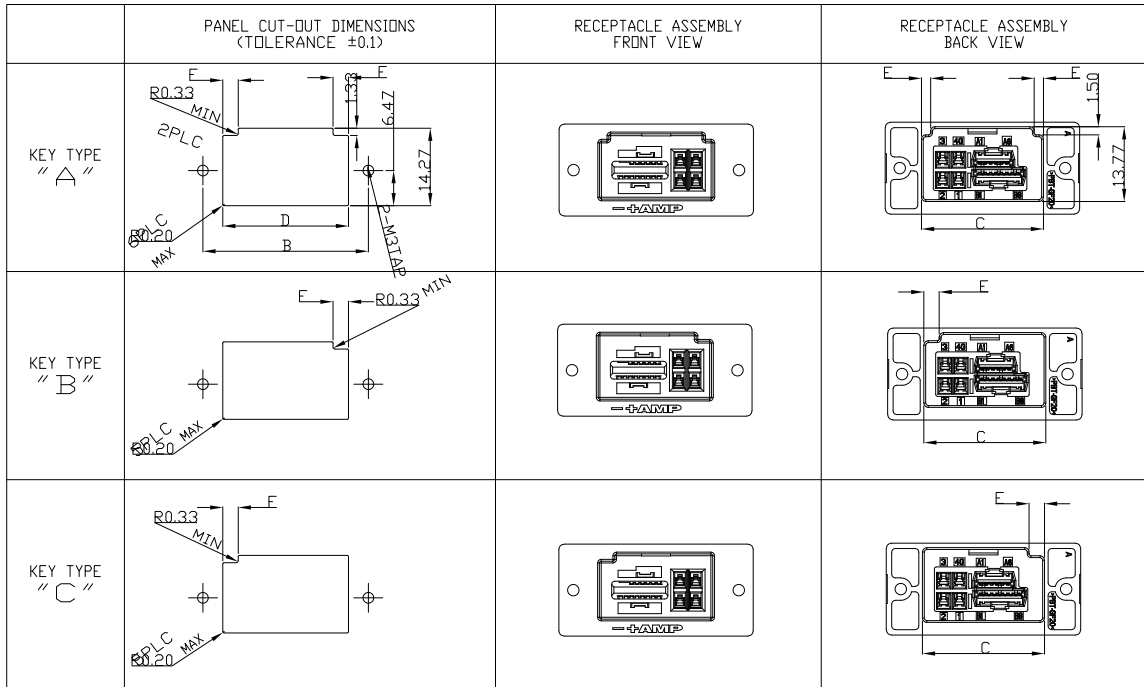
3

2

1

THIS DRAWING IS UNPUBLISHED. RELEASED FOR PUBLICATION
 BY TYCO ELECTRONICS CORPORATION. ALL RIGHTS RESERVED.

LOC	DIST	REVISIONS		
F	LN	DESCRIPTION	DATE	BY
-	-	SEE SHEET 1	-	-



THIS DRAWING IS A CONTROLLED DOCUMENT.

DIMENSIONS:	mm	TOLERANCES UNLESS OTHERWISE SPECIFIED:	0 PLC ± .1	1 PLC ± .1	2 PLC ± .1	3 PLC ± .1	4 PLC ± .1	ANGLES ± .5
MATERIAL:		FINISH:						

DATE	CHK	NAME	PRODUCT SPEC.	APPLICATION SPEC.	HEIGHT	SIZE	QTY	DATE	REV	RESTRICTED TO
						A2	00779	C=292246		

Tyco Electronics Corporation
 Shanghai, PRC 200233
 RECEPTACLE ASSEMBLY
 FOR AMP 1.5 PITCH MINI CT
 HYBRID LATTICE CONNECTOR
 CUSTOMER DRAWING
 SCALE: NTS SHEET 3 of 3 REV B1