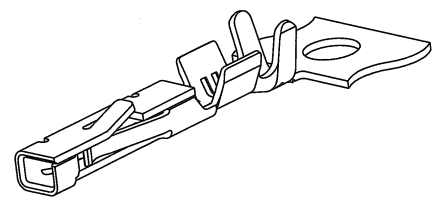
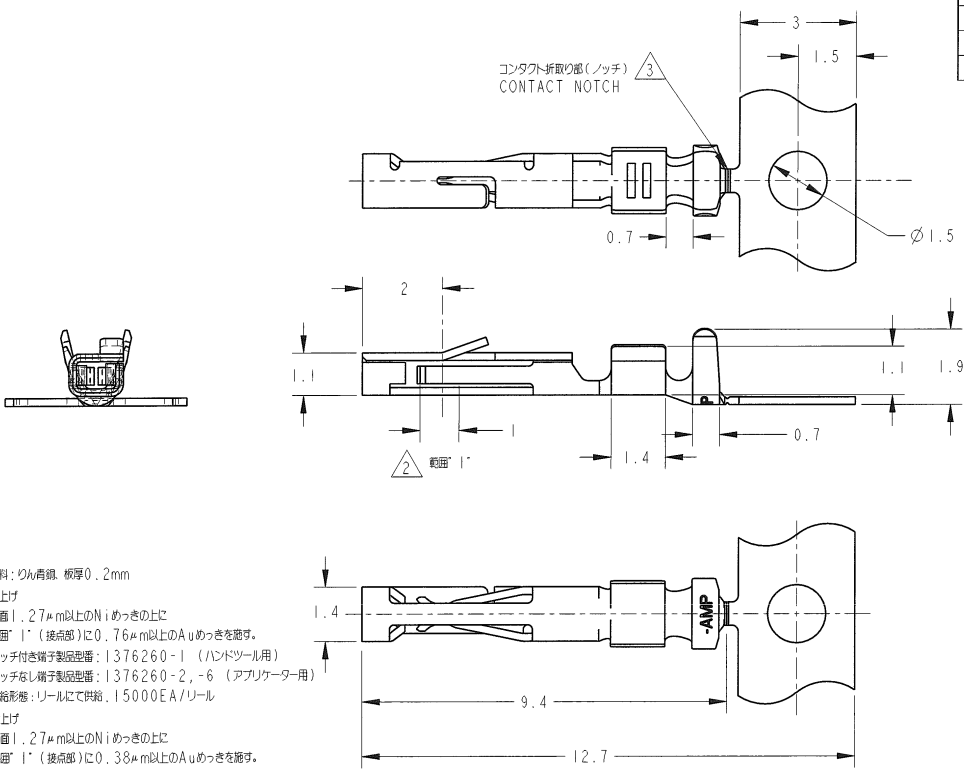


THIS DRAWING IS UNPUBLISHED. RELEASED FOR PUBLICATION 2000
 © COPYRIGHT 2000 BY TYCO ELECTRONICS CORPORATION. ALL RIGHTS RESERVED.

REVOLUTIONS		変更			
P	LYR	DESCRIPTION	DATE	DRN	APVD
0	RELEASED	FJ00-1712-01	28AUG2000	T.K.	K.I.
A	REVISED	FJ00-0119-03	21JAN2003	K.I.	T.K.



- 1 材料: 90%青銅 板厚0.2mm
 - 2 仕上げ
全周1.27μm以上のNiめっきの上
に0.76μm以上のAuめっきを施す。
 - 3 ノッチ付き端子製造型番: 1376260-1 (ハンドツール用)
ノッチなし端子製造型番: 1376260-2, -6 (アPLICエーター用)
 - 4 供給形態: リールにて供給。15000EA/リール
 - 5 仕上げ
全周1.27μm以上のNiめっきの上
に0.38μm以上のAuめっきを施す。
- 1 MATERIAL PHOS-BRONZ, 0.2mm THK
FINISH
UNDERCOATING: 1.27μm MIN. NICKEL ALL OVER
ZONE "1": 0.76μm MIN. GOLD
CONTACT P/N WITH NOTCH: 1376260-1
(FOR HAND TOOL)
STRIP TERMINAL P/N: 1376260-2, -6
(W/O NOTCH, FOR APPLICATOR)
4. SUPPLY BY REEL. 15000EA/REEL
FINISH
UNDERCOATING: 1.27μm MIN. NICKEL ALL OVER
ZONE "1": 0.38μm MIN. GOLD

DIMENSIONS: 単位: mm		TOLERANCES UNLESS OTHERWISE SPECIFIED:	
		0-PLC	±0.2
		1-PLC	±
		2-PLC	±
		3-RUPC	±
		4-PLC	±
		ANGLES	±3°
MATERIAL 材料	1	FINISH 仕上	2 5

FOR APPLICATOR	SEE NOTE 5	1376260-6	
FOR APPLICATOR		1376260-2	
FOR HAND TOOL	SEE NOTE 2	1376260-1	
DESCRIPTION	FINISH	P/N	
WIRE RANGE 対応電線径範囲	AWG#26~#30	INSULATION DIA 絶縁外径	∅0.70~∅0.98
Tyco Electronics AMP K.K. Kawasaki, Japan			
NAME 品名			
RECEPTACLE CONTACT AMP MCC CONN			
SIZE	CAGE CODE	DRAWING NO 図番	
A3	00779	G-1376260	
CUSTOMER DRAWING		RESTRICTED TO	
SCALE 寸法		SHEET 枚	
10:1		1 OF 1	
		REV 版	
		A	