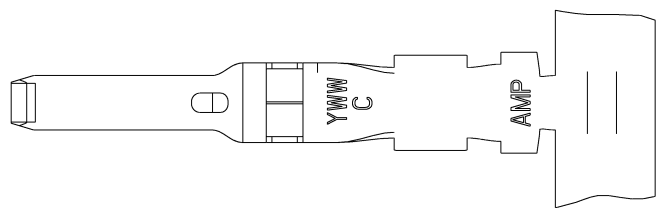
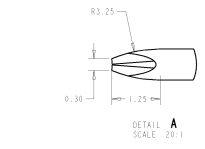
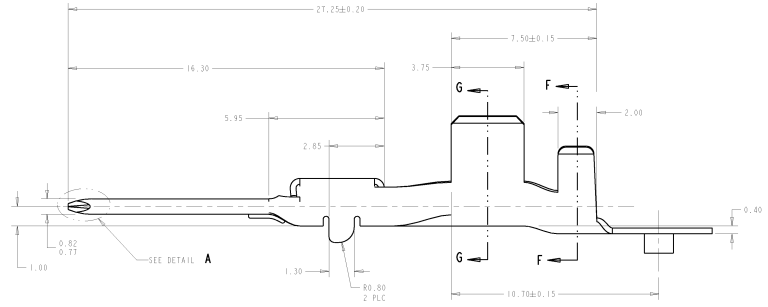
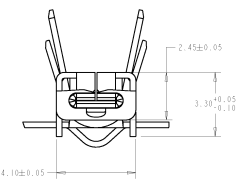
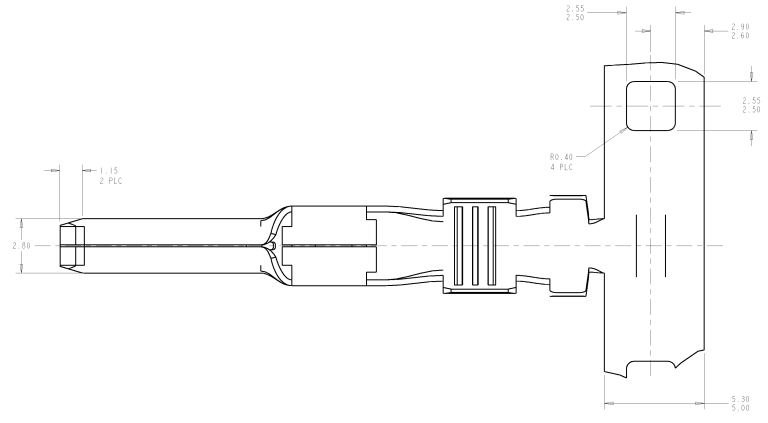


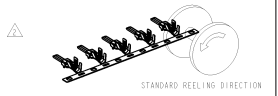
WIRE STANDARD TO WHICH REFERRED: WIRE STANDARD FOR APPLICATIONS
 (SEE COMMENT 4) BY THE ELECTRONIC COMPONENTS INDUSTRY (EIA)

DUAL CRIMP TABLE	
PART NO	WIRE SIZE
1326029-9	0.35±0.35
	0.35±0.5
	0.35±1.0
1-1326029-1	0.54±0.5
	0.54±0.75
	0.54±1.5
1-1326029-0	0.54±1.0
	0.54±1.5
	0.54±1.5
1-1326029-0	0.75±0.75
	0.75±1.0
	0.75±1.5
1-1326029-2	1.0±1.0
	1.0±1.5

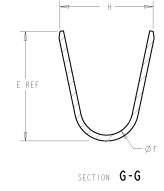
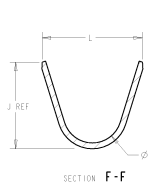


REVISOR		REVISIONS	
DATE	BY	DESCRIPTION	DATE
00	00	REVISED PER ECR 05-050300	
01		REVISED PER ECR 05-011194	

△ MATERIAL: 0.30 THICK COPPER ALLOY, PREPLATED WITH 0.0008 MINIMUM THICK MATTE TIN (EELY COMPLIANT)



5. QUALIFICATION OF THE CRIMP APPLICATION TOOLING SHALL BE CONTROLLED BY THE REQUIREMENTS ESTABLISHED UNDER USCAR 21.
 6. LOOSE END SPLICING TO BE USED.



REELING	ØF	H	ØF	ØF	ØF	WIRE SIZE	PART NO.
1-1326029-0 REELED FOR AMP APPLICATOR							1-1326029-2
1326029-9 REELED FOR AMP APPLICATOR	4.6	1.80	5.95	3.9	1.70	3.88	1-1326029-1
	3.6	1.40	4.32	3.3	1.30	2.76	1-1326029-0
1326029-4 REELED FOR AMP APPLICATORS							1326029-8
1326029-3 REELED FOR AMP APPLICATORS	5.2	3.20	4.22	4.7	2.70	5.25	1326029-7
1326029-2 REELED FOR AMP APPLICATORS	3.8	1.80	3.16	3.9	1.30	3.88	1326029-6
1326029-1 REELED FOR AMP APPLICATORS	3.1	1.40	2.55	3.3	1.30	2.76	1326029-5
							1326029-4
							1326029-3
							1326029-2
							1326029-1

1326029-0 REELED FOR AMP APPLICATOR 1326029-9 REELED FOR AMP APPLICATOR 1326029-4 REELED FOR AMP APPLICATORS 1326029-3 REELED FOR AMP APPLICATORS 1326029-2 REELED FOR AMP APPLICATORS 1326029-1 REELED FOR AMP APPLICATORS		REFERENCE DUAL CRIMP TABLE REFERENCE DUAL CRIMP TABLE REFERENCE DUAL CRIMP TABLE REFERENCE DUAL CRIMP TABLE REFERENCE DUAL CRIMP TABLE REFERENCE DUAL CRIMP TABLE	
1326029-0 REELED FOR AMP APPLICATOR 1326029-9 REELED FOR AMP APPLICATOR 1326029-4 REELED FOR AMP APPLICATORS 1326029-3 REELED FOR AMP APPLICATORS 1326029-2 REELED FOR AMP APPLICATORS 1326029-1 REELED FOR AMP APPLICATORS		12 AWG 14-16 AWG 18-20 AWG 22 AWG 12 AWG 14-16 AWG 18-20 AWG 22 AWG 12 AWG 14-16 AWG 18-20 AWG 22 AWG	
REELING: 1, 2, 3, 4, 5, 6, 7, 8, 9, 10, 11, 12, 13, 14, 15, 16, 17, 18, 19, 20, 21, 22, 23, 24, 25, 26, 27, 28, 29, 30, 31, 32, 33, 34, 35, 36, 37, 38, 39, 40, 41, 42, 43, 44, 45, 46, 47, 48, 49, 50, 51, 52, 53, 54, 55, 56, 57, 58, 59, 60, 61, 62, 63, 64, 65, 66, 67, 68, 69, 70, 71, 72, 73, 74, 75, 76, 77, 78, 79, 80, 81, 82, 83, 84, 85, 86, 87, 88, 89, 90, 91, 92, 93, 94, 95, 96, 97, 98, 99, 100		AMP 2.8mm BLADE, UNSEALED 114-13013 00178 1326029	