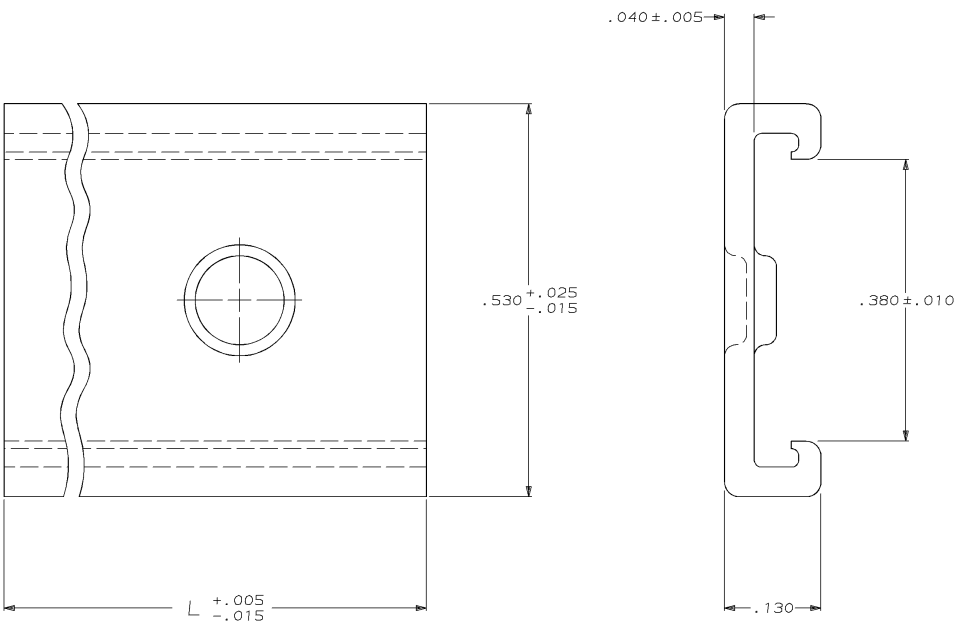


DRAWING MADE IN THIRD ANGLE PROJECTION  
 THIS DRAWING IS UNPUBLISHED. RELEASED FOR PUBLICATION  
 © COPYRIGHT 19 BY AMP INCORPORATED. ALL INTERNATIONAL RIGHTS RESERVED.

LOC	DIST	P	F	ZONE	LTR	REVISIONS		
						DESCRIPTION	DATE	APPD
CM	54				K	OBS 1-6 PER EC 0730-0141-96	6-27-96	BL
								RS



IN	MM	NO. OF CIRCUITS	PART NUMBER
3.780	96.01	24	2-641106-4
3.624	92.05	23	2-641106-3
3.468	88.09	22	2-641106-2
3.312	84.12	21	2-641106-1
3.156	80.16	20	2-641106-0
2.844	72.24	18	1-641106-8
2.376	60.35	15	1-641106-5
1.908	48.46	12	1-641106-2
1.440	36.58	9	641106-9
.972	24.69	6	641106-6
.660	16.76	4	641106-4
.504	12.80	3	641106-3

IN	MM
.530	13.46
.380	9.65
.130	3.30
.040	1.02
.025	0.64
.015	0.38
.010	0.25
.005	0.13

**METRIC**

DO NOT SCALE PRINT. UNLESS SPECIFIED DIMENSIONS IN INCHES TOLERANCES ON :		PART NO	
MATERIAL	POLYESTER NATURAL UL94V-0	NAME	COVER, EDGE CONNECTOR, MTA-156
FINISH	-	SIZE	00779
DR	N. GANNON 8-8-91	CAGE CODE	00779
CHK	R. SWING 8-8-91	DRAWING NO	641106
APPD	T. WERT 8-8-91	SCALE	10:1
APPD	T. WERT 8-8-91	SHEET	1 OF 1
APPLICATION SPEC	-		
WEIGHT	-		

CUSTOMER DRAWING