

4

3

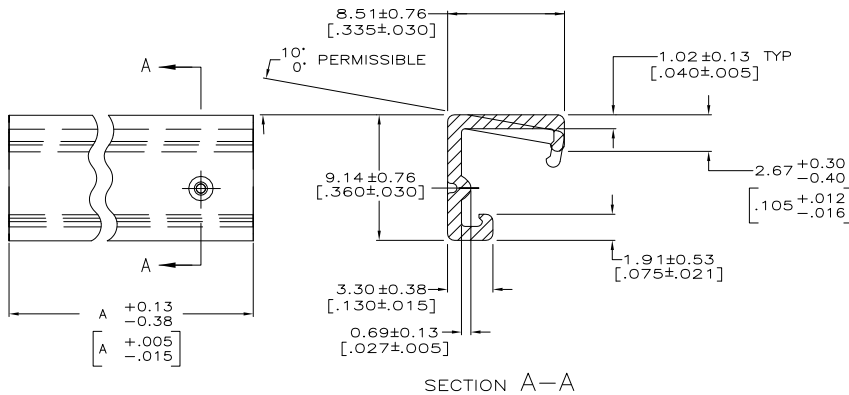
2

1

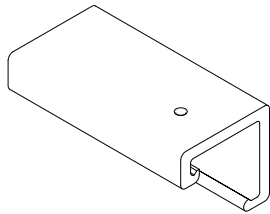
THIS DRAWING IS UNPUBLISHED. RELEASED FOR PUBLICATION  
 © COPYRIGHT - By - ALL RIGHTS RESERVED.

| LOC | DIST | REVISIONS                 |         |    |      |
|-----|------|---------------------------|---------|----|------|
| P   | LN   | DESCRIPTION               | DATE    | BY | APPD |
| CM  | 54   |                           |         |    |      |
|     | L2   | REVISED PER ECO-11-016260 | 11AUG11 | JR | SM   |

1. DIMENSIONS IN BRACKETS ARE IN INCHES.



SECTION A-A



3-DIMENSIONAL MODEL NTS

|    |              |       |         |            |
|----|--------------|-------|---------|------------|
| 28 | CIRCUIT ASSY | 71.12 | [2.800] | 2-640550-8 |
| 27 | CIRCUIT ASSY | 68.58 | [2.700] | 2-640550-7 |
| 26 | CIRCUIT ASSY | 66.04 | [2.600] | 2-640550-6 |
| 25 | CIRCUIT ASSY | 63.50 | [2.500] | 2-640550-5 |
| 24 | CIRCUIT ASSY | 60.96 | [2.400] | 2-640550-4 |
| 23 | CIRCUIT ASSY | 58.42 | [2.300] | 2-640550-3 |
| 22 | CIRCUIT ASSY | 55.88 | [2.200] | 2-640550-2 |
| 21 | CIRCUIT ASSY | 53.34 | [2.100] | 2-640550-1 |
| 20 | CIRCUIT ASSY | 50.80 | [2.000] | 2-640550-0 |
| 19 | CIRCUIT ASSY | 48.26 | [1.900] | 1-640550-9 |
| 18 | CIRCUIT ASSY | 45.72 | [1.800] | 1-640550-8 |
| 17 | CIRCUIT ASSY | 43.18 | [1.700] | 1-640550-7 |
| 16 | CIRCUIT ASSY | 40.64 | [1.600] | 1-640550-6 |
| 15 | CIRCUIT ASSY | 38.10 | [1.500] | 1-640550-5 |
| 14 | CIRCUIT ASSY | 35.56 | [1.400] | 1-640550-4 |
| 13 | CIRCUIT ASSY | 33.02 | [1.300] | 1-640550-3 |
| 12 | CIRCUIT ASSY | 30.48 | [1.200] | 1-640550-2 |
| 11 | CIRCUIT ASSY | 27.94 | [1.100] | 1-640550-1 |
| 10 | CIRCUIT ASSY | 25.40 | [1.000] | 1-640550-0 |
| 9  | CIRCUIT ASSY | 22.86 | [.900]  | 640550-9   |
| 8  | CIRCUIT ASSY | 20.32 | [.800]  | 640550-8   |
| 7  | CIRCUIT ASSY | 17.78 | [.700]  | 640550-7   |
| 6  | CIRCUIT ASSY | 15.24 | [.600]  | 640550-6   |
| 5  | CIRCUIT ASSY | 12.70 | [.500]  | 640550-5   |
| 4  | CIRCUIT ASSY | 10.16 | [.400]  | 640550-4   |
| 3  | CIRCUIT ASSY | 7.62  | [.300]  | 640550-3   |
| 2  | CIRCUIT ASSY | 5.08  | [.200]  | 640550-2   |

USED ON MTA 100 CONNECTOR ASSEMBLY AS LISTED

|   |  |   |   |
|---|--|---|---|
| THIS DRAWING IS A CONTROLLED DOCUMENT.  |  | BY T. BECK 7-10-91  | TE Connectivity<br>COVER, MTA-100                                 |
| DIMENSIONS: MM(INCHES)  |  | CHK 7-10-91   |   |
| 0 PLG # - -<br>1 PLG # - -<br>2 PLG # - -<br>3 PLG # - -<br>4 PLG # - -<br>ANGLES # - -<br>FINISH - - |  | DIM T. BECK 7-10-91<br>SWING 7-10-91<br>T. WEST 7-10-91<br>PRODUCT SPEC<br>APPLICATION SPEC<br>WEIGHT<br>CUSTOMER DRAWING | SIZE CASE CODE DRAWING NO<br>A2 00779 C=640550<br>RESTRICTED TO - |
| MATERIAL POLYESTERUL 94V-0 NATURAL  |  | SCALE 5:1   | SHEET 1 of 1 REV L2   |



1471-9 (3/11)

3D

640550-050

A

REV L2