

4

3

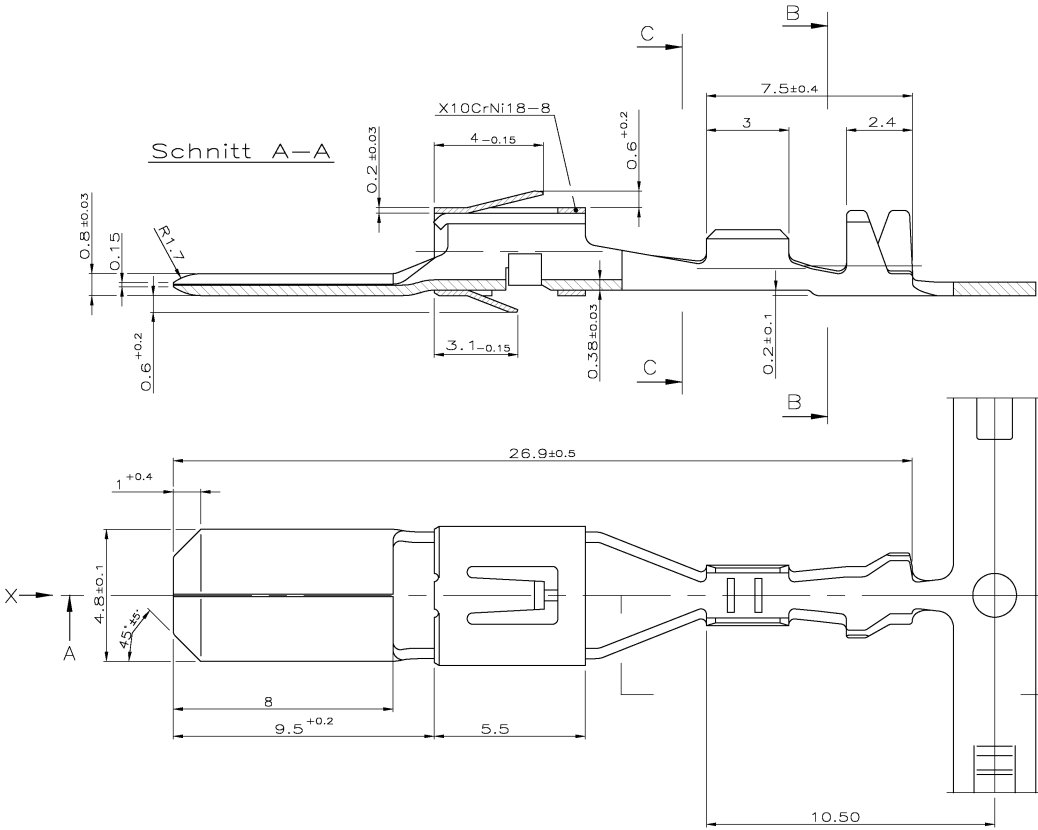
2

1

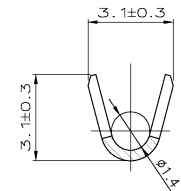
THIS DRAWING IS UNCLASSIFIED
 (C) COPYRIGHT BY TYCO ELECTRONICS CORPORATION. ALL RIGHTS RESERVED.

WAS No. 87-9418-10
 WAR NR.

REV.	DATE	DESCRIPTION	BY	CHK
B	25.03.92	Kontaktspitze abgerundet, Zeichnung ueberarbeitet	Derst	---
D1	18MAY2004	Rev. Status adapted to Part Status	Schoe	---
D2	05AUG2010	3 drawn sensors updated to 2 sensors as in specification.	Kirsch	Schuk

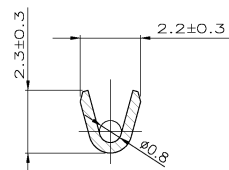


Schnitt B-B



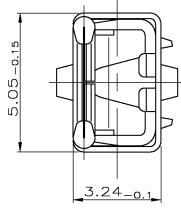
gestreckte Laenge Ref. 6.8

Schnitt C-C



gestreckte Laenge Ref. 4.7

ANSICHT X



Drahtgroessenbereich: 0.2-0.5mm²
 Isolations ø: 1.1-1.6 (FLR)

TE-Order-No	VM-No Strip	TE-Order-No Loose Piece	VM-No Loose Piece	Material	Surface Colour
963824-2	-	963825-2	-	CuFeZ	pre fin
963824-1	-	963825-1	-	CuSn	pre fin

THIS DRAWING IS A CONTROLLED DOCUMENT

DMN	8 08.R2	TYCO Electronics	Tyco Electronics AMP GmbH
CHK	19-WW-04		64625 Bensheim (Germany)
APP	S. Glosler		
PRD	M. Bleicher		
DATE	05AUG2010		
APPLICATION SPEC		SEE	DATE CODE (DRAWING NO)
RIGHT		A2	00779
			963824
			SCALE 10:1
			SHEET 1 of 1
			REV 02

CUSTOMER DRAWING

TE 1471-9 REV 31MAR2000