

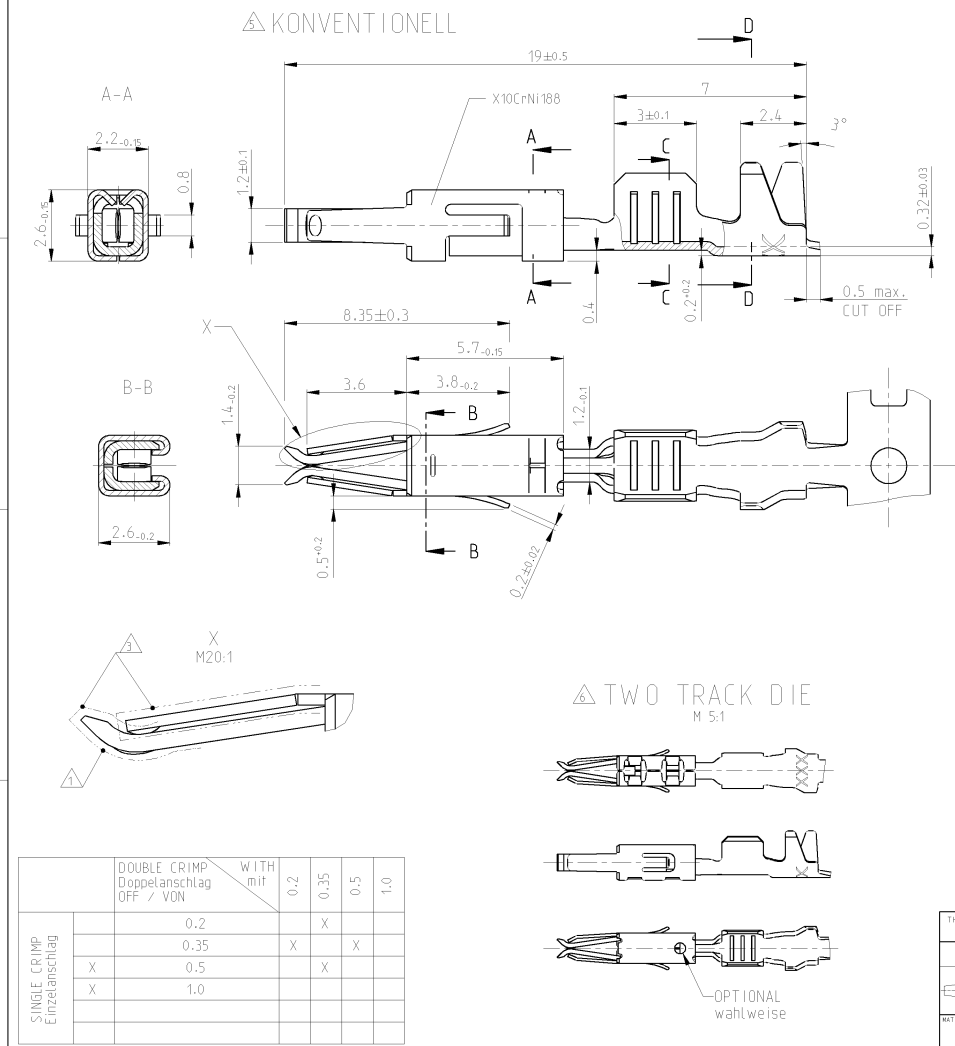
4

3

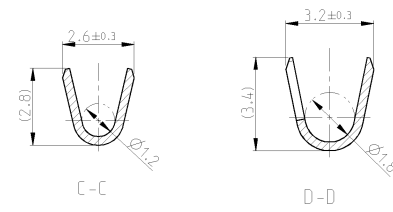
2

1

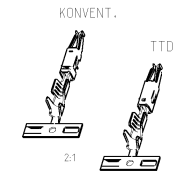
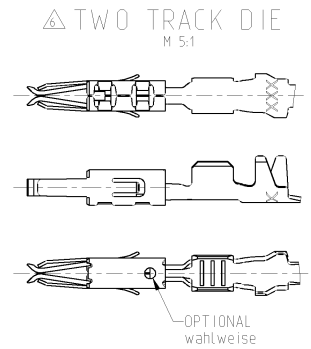
THIS DRAWING IS UNPUBLISHED
RELEASED FOR PUBLICATION
ALL RIGHTS RESERVED



REV	DATE	BY	CHKD
K1	06APR2009	Abt	Brun
K2	03MAR2011	FK	HMR
K3	18MAY2011	Klrs	Mair
K4	29JAN2011	Klrs	Mair



- NOTES
Bemerkungen
- △ SELECTIVE GOLD PLATED MIN. 0.8 µm OVER NI
selektiv vergoldet 0.8 µm ueber Ni
 - △ TIN PLATED MIN. 0.2 µm OVER NI
verzinkt 0.2 µm ueber Ni
 - △ CONTACT SURFACE SEL. GOLD PLATED MIN. 0.8 µm OVER NI
CANTILEVER SPRING COMPLETELY GOLD PLATED ON BOTH SIDES
sel. vergoldet auf der Kontaktobenseite 0.8 µm min. ueber Ni
Ueberfeder komplett auf beiden Seiten vergoldet
 - 4 WIRE RANGE : 0.5 - 1.0 mm²
INSULATION-Ø : 1.4 - 2.0 mm (FLR)
Drahtgrossebereich : 0.5 - 1.0 mm²
Isolations-Ø : 1.4 - 2.0 mm (FLR)



SINGLE CRIMP Einzelanschlag	DOUBLE CRIMP Doppelanschlag OFF / VON		WITH mit			
	0.2	0.35	0.2	0.35	0.5	1.0
X			X	X		
X				X	X	

THIS DRAWING IS A CONTROLLED DOCUMENT. SWK 06 JUN 1989
 13 AUG 1992
 03 AUG 2008

TE Connectivity
STE
 MICRO TIMER 2 CONTACT
 WITH DOUBLE LOCKING LANCE
 mit doppelter Rastfeder

REVISIONS
 LTR LNR DESCRIPTION DATE SWK CHKD

DATE CASE CODE DRAWING NO. RESTRICTED TO
 114-18081 A2100779 ©-962943

WEIGHT 0.3 g SCALE 10:1 SHEET 1 OF 1 REV K4

1471-9 (2/13)