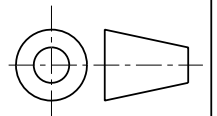


CAD-Original
nicht ändern

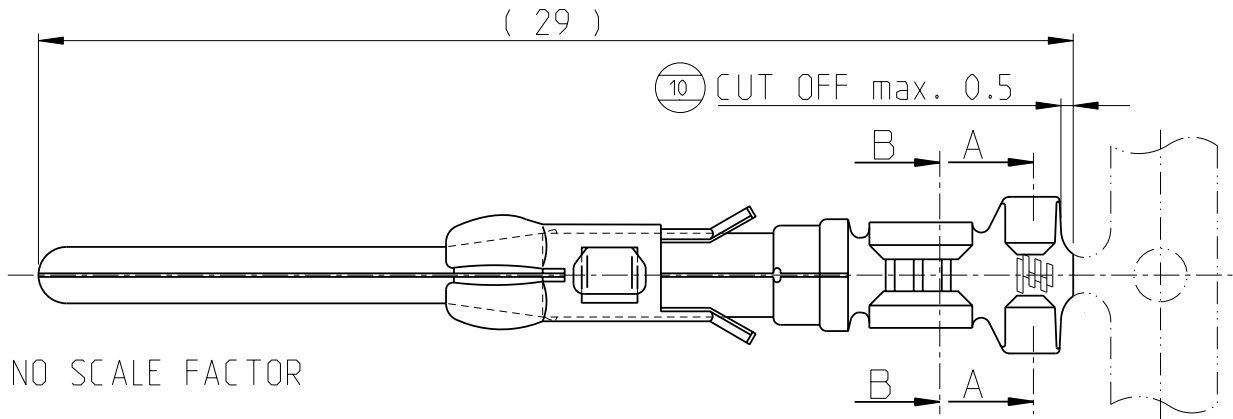
DRAWING VALID FROM: ---
Zeichnung gültig ab: ---

METRIC



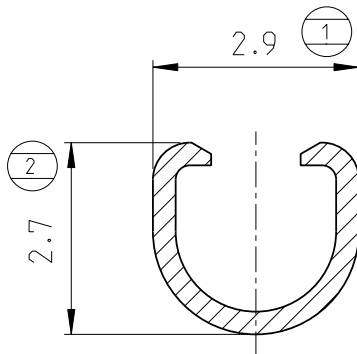
EUROPEAN PROJECTION

USE HANDTOOL: CRIMPAC TOOL II PN 0-825582-0

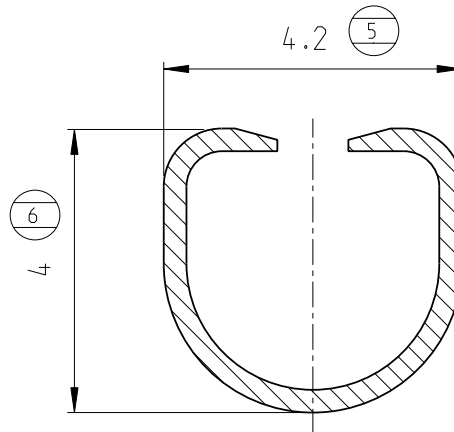


NO SCALE FACTOR

WIRE BARREL
B-B



INSULATION BARREL
A-A



1 CRIMP PRE-FORMED

2 DIMENSIONS FOR STRIP-FORM SEE DRAWING NO. C-926982

0-926982-2	2	PRE TINNED	CuZn 30	0-926983-2	1	C
0-926982-1		PRE TINNED	CuSn 4	0-926983-1		C
MADE FROM		FINISH	MATERIAL	LP NO		REV
LOC	GT		WIRE RANGE	TOLERANCES	Tyco Electronics Czech s.r.o. CZ- K AMP 1293, 664 34 Kurim	
DIST			1-2.5 mm ²	±0.2	NAME	
	C2	SEE ECN	INSULATION RANGE		CI 2 PIN	
LTR	REVISION RECORD	ECN	DR	DATE	(LOOSE PIECE)	
	DR	30JAN2010	APPD	12.10.10	SCALE	
	M. Pavlicek		T. Konecny		10:1	LOC
	CHK	06FEB2010	REL		GT	NUMBER
	P. Straka				A4	926983
			Ø2.4-3.7 mm			REV
						C2

K