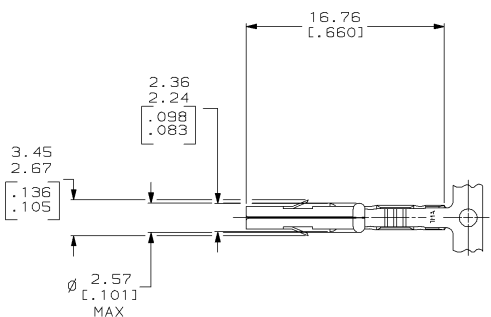
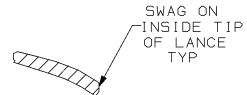
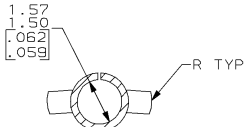
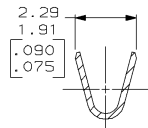
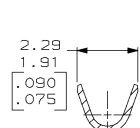
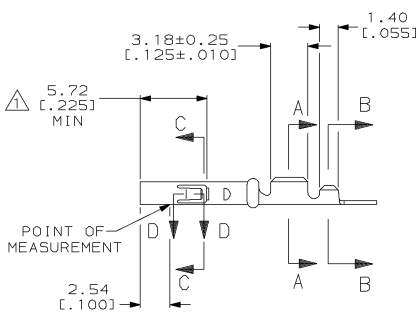


THIS DRAWING IS UNPUBLISHED. RELEASED FOR PUBLICATION
 © COPYRIGHT 1983 BY AMP INCORPORATED. ALL INTERNATIONAL RIGHTS RESERVED.

LOC		DIST		ZONE		LTR		REVISIONS		DATE	APPD
CM	53	P	F					0	RLSD PER PR CM 93-25	3-4-93	KS RB



- △ PLATED INTERNALLY WITH 0.00076 [.000030] GOLD; GOLD FLASH ON THE REMAINDER, OVER 0.00127 [.000050] NICKEL.
- 2. THIS CONTACT MATES WITH MR LIVE SPLIT PIN ONLY.
- 3. DIMENSIONS IN BRACKETS ARE IN INCHES.



METRIC

THIS DRAWING IS A CONTROLLED DOCUMENT FOR AMP INCORPORATED. IT IS SUBJECT TO CHANGE AND THE CONTROLLING ENGINEERING ORGANIZATION SHOULD BE CONTACTED FOR THE LATEST REVISION.

FINISH		MATERIAL		PART NO	
GOLD △		0.20 [.008] PH BRZ		794000-2	
PRE-TIN		0.20 [.008] PH BRZ		794000-1	
DO NOT SCALE PRINT. UNLESS SPECIFIED DIMENSIONS IN mm [INCHES] TOLERANCES ON + 2 PLC DEC ± 0.13 [.005] 3 PLC DEC ± - ANGLES ± -		DR 3-4-93 K. SALMON CHK 3-4-93 R. SWING APPD 3-4-93 J. ANDREW		AMP Incorporated Harrisburg, PA 17105-3608	
MATERIAL		APPD 3-4-93 J. ANDREW		NAME RECEPTACLE, MR	
SEE TABLE		PRODUCT SPEC		SIZE CAGE CODE DRAWING NO	
FINISH		APPLICATION SPEC		C 00779 C-794000	
SEE TABLE		WEIGHT		SCALE 4:1	
				SHEET 1 OF 1	