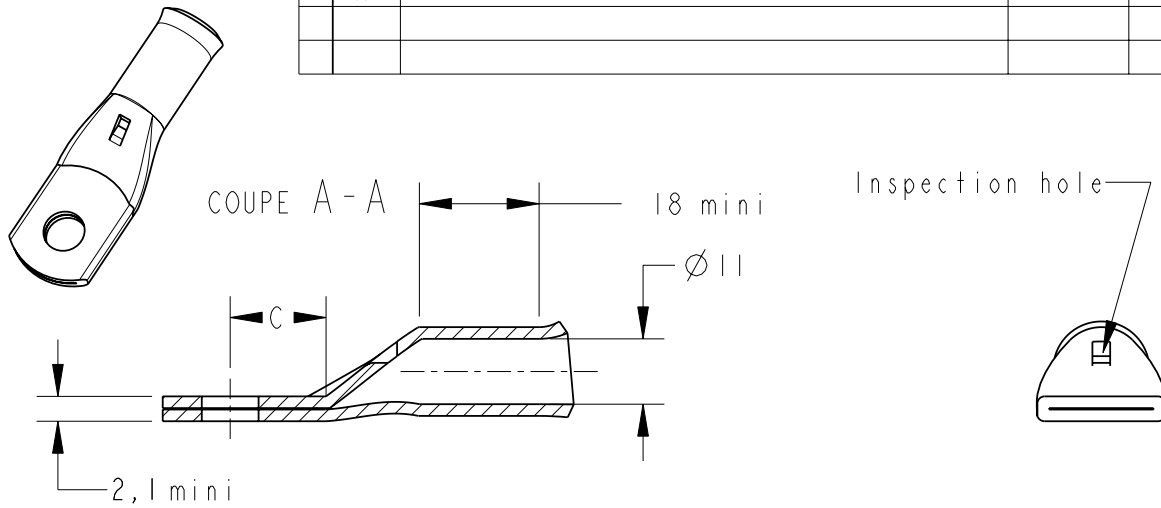
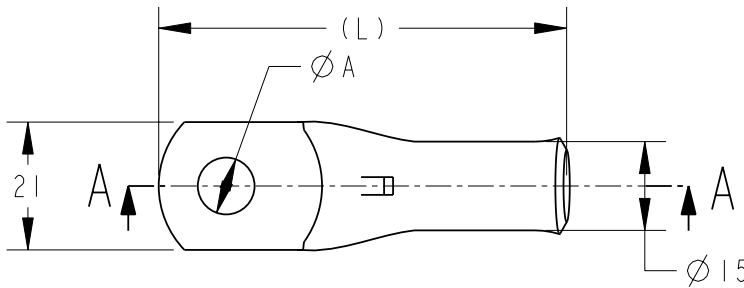


LOC	DIST	REVISIONS				
P	LTR REV	DESCRIPTION MODIFICATIONS	DATE	DWN DESS.	APVD APP.	
FH	00	G	AJOUT NOTA	07DEC2009	BG GP	
		H	ECR-11-018538	07SEP2011	LP NA	



Ces produits répondent à la norme NFC 20-130.
 These products are NFC 20-130 compliant.



(L)	C	Ø A	DESCRIPTION	PART NUMBER
58	13,5	8,3	XCT 70-8	710028-1
58	13,5	10,3	XCT 70-10	710028-3
58	13,5	12,8	XCT 70-12	710028-5
60,5	16,5	14,5	XCT 70-14	710028-6
60,5	16,5	16,5	XCT 70-16	710028-8

- 1 - MATERIAL = TINNED COPPER
- 2 - Marking in depth: logo-section-hole-Made in France +
- 3 - CABLE SECTION = 2/0 AWG or 70mm²
- 4 - GROOVE E70Cu OR DIE (Punch 17PC120+ Die 17M70)

TOLERANCES UNLESS OTHERWISE SPECIFIED TOLERANCES NON SPECIFIEES: -

DIMENSIONS: mm TOLERANCES UNLESS OTHERWISE SPECIFIED: TOLERANCES NON SPECIFIEES (SUIV NB DE DECIMALES): 0 PLC/DEC: ±0 1 PLC/DEC: ±0 2 PLC/DEC: ±0 3 PLC/DEC: ±0 4 PLC/DEC: ±0 ANGLES ±-	DWN/DESSINE D. LEGUY	15DEC00	MATERIAL MATIERE	CUIVRE	FINISH FINITION	ETAME
	CHK/VERIFIE E. DEREY	-				
	APVD/APPROUVE N. ALMEIDA	-				
	PRODUCT SPEC SPEC. PRODUIT	-	NAME TITRE	XCT 70-..		
APPLICATION SPEC SPEC. APPLICATION	-	SIZE FORMAT	CAGE CODE	DRAWING NO No PLAN	RESTRICTED TO RESERVE A	
WEIGHT MASSE APPROX.	A4	00779	C=710028			
CUSTOMER DRAWING /PLAN CLIENT		UNIQUEMENT POUR REFERENCE	SCALE ECHELLE - / -	SHEET FEUILLE	OF DE	REV H