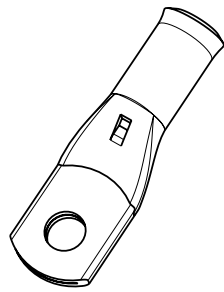
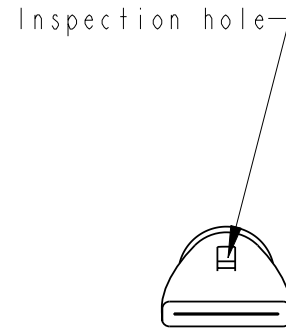
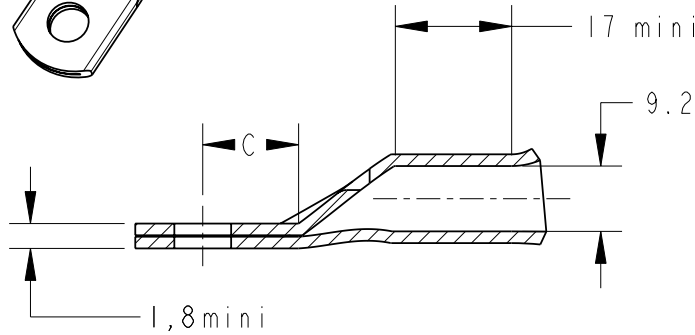


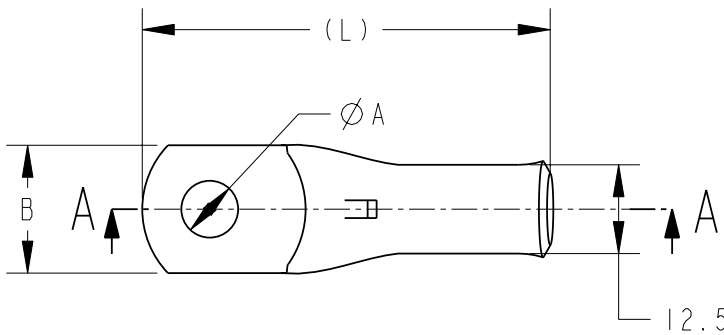
LOC FH	DIST 00	REVISIONS				
P	LTR REV	DESCRIPTION MODIFICATIONS	DATE	DWN DESS.	APVD APP.	
	E1	REVISED PER ECO-11-005150	28MAR2011	RK	HMR	
	F	ECR-11-018538	07SEP2011	LP	NA	



COUPE A-A



Ces produits répondent à la norme NFC 20-130.  
 These products are NFC 20-130 compliant.



(L)	C	B	ØA	DESCRIPTION	PART NUMBER
53	13,5	18	6,4	XCT 50-6	710025-3
53	13,5	18	8,3	XCT 50-8	710025-2
53	13,5	18	10,3	XCT 50-10	710025-5
53	13,5	19	12,8	XCT 50-12	710025-7

- 1 - MATERIAL = TINNED COPPER
- 2 - Marking in depth: logo-section-hole-Made in France +
- 3 - CABLE SECTION = 1/0AWG or 50mm<sup>2</sup>
- 4 - GROOVE E50Cu OR DIE (Punch 17P50+ Die 17M50)

TOLERANCES UNLESS OTHERWISE SPECIFIED TOLERANCES NON SPECIFIÉES: -

FINISH FINITION ETAME

DIMENSIONS: mm

TOLERANCES UNLESS OTHERWISE SPECIFIED: TOLERANCES NON SPECIFIÉES (SUIV NB DE DECIMALES):

0 PLC/DEC: ±0	
1 PLC/DEC: ±0	
2 PLC/DEC: ±0	
3 PLC/DEC: ±0	
4 PLC/DEC: ±0	

ANGLES ±-

DWN/DESSINE D. LEGUY	15DEC00
CHK/VERIFIE E. DEREY	-
APVD/APPROUVE N. ALMEIDA	-
PRODUCT SPEC SPEC. PRODUIT	-
APPLICATION SPEC SPEC. APPLICATION	-
WEIGHT MASSE APPROX.	-

MATERIAL MATIERE	CUIVRE	
NAME TITRE	XCT 50-..	
SIZE FORMAT	CAGE CODE	DRAWING NO No PLAN
A4	00779	C=710025
RESTRICTED TO RESERVE A		-



CUSTOMER DRAWING /PLAN CLIENT	UNIQUEMENT POUR REFERENCE	SCALE ECHELLE - / -	SHEET FEUILLE 1	OF DE 1	REV F
-------------------------------	---------------------------	---------------------	-----------------	---------	-------

20  
 RELEASED FOR PUBLICATION  
 LIBRE A LA DIFFUSION  
 ALL RIGHTS RESERVED.  
 TOUS DROITS RESERVES.  
 COPYRIGHT 20