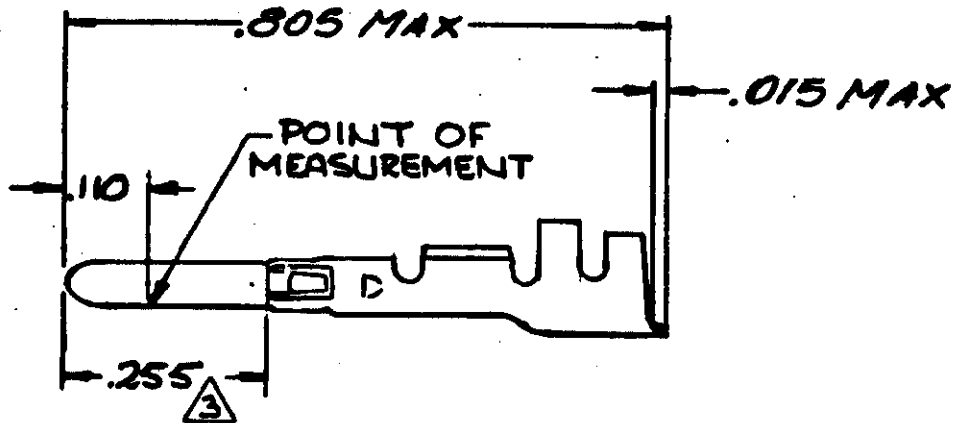


NUMBER
350036



1. FOR ADDITIONAL INFORMATION SEE DWG 350018.
 2. THIS TERMINAL TO BE SUPPLIED IN INDIVIDUAL FORM, NOT AS CONTINUOUS STRIP.
- 3 PLATED WITH .000030 GOLD, OVER .000050 NICKEL UNDERPLATE.

PART NO.	MATERIAL & FINISH
350036-1	.008 BRASS - PRE-TIN
350036-2	.008 BRASS - GOLD 3

DIMENSIONS IN INCHES. DO NOT SCALE PRINT.

Unpublished copy not to be reproduced nor published without written permission of AMP Incorporated

E1	RESTORED		BO/RS	10/1/83	©1977 BY AMP INCORPORATED. ALL RIGHTS RESERVED. AMP PRODUCTS COVERED BY PATENTS AND/OR PATENTS PENDING	CUSTOMER COPY REFERENCE ONLY
E	REVISED PER M-7349	TW	JH	5/1/83		
D	ADDED NOTE 3, m-6086	MF	JH	11/13/80	MATERIAL AND FINISH	AMP AMP INCORPORATED HARRISBURG, PENNSA
C	REVISED M-4049		MF/JH	1-10-77	SEE TABLE	
B	REVD LATCH	M-1500	MF	2/12/76	CLASS	—H—
A	REVISED DESIGN	M-2261	MF/RS	1/1/73	WIRE — RANGE — INSULATION	TYPE —H—
LTR	REVISION RECORD	ECN	OP	DATE	TOLERANCE EXCEPT AS NOTED ± 0.15 ± 1' 0"	SCALE 4-1
DR	JIM KUNKLE	DE			LOC CM	A
CHK		APP		6-7-77	NO 350036	REV E
					NAME .058 DIA PIN (LOOSE PIECE)	