

4

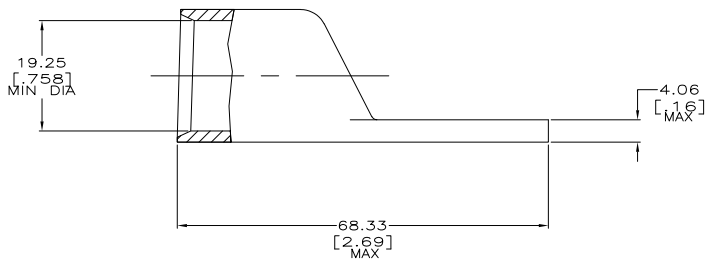
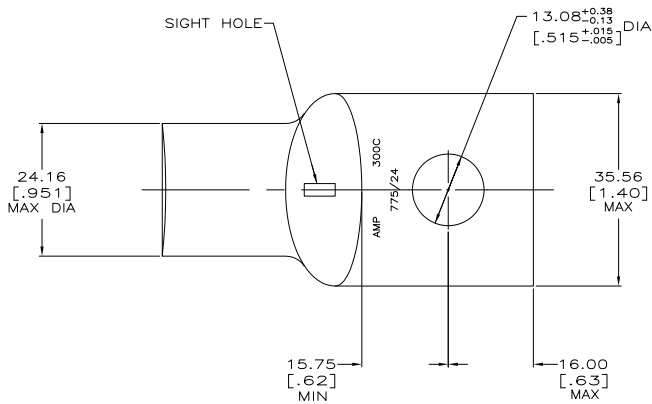
3

2

1

THIS DRAWING IS UNPUBLISHED. RELEASED FOR PUBLICATION
 © COPYRIGHT BY TYCO ELECTRONICS CORPORATION. ALL INTERNATIONAL RIGHTS RESERVED.

| LOC | DIST | REVISIONS | | |
|-----|------|-----------------------|-----------|-------|
| P | LR | DESCRIPTION | DATE | BY |
| G | 86 | | | |
| Z | | REV PER ECR 05-012008 | 09/JUN/08 | JR MS |



1 CIRCULAR MIL AREA RANGE: 275-325 MCM

△ TIN PL 0.00381[.000150] MIN THK PER ASTM B-545

△ NO SIGHT HOLE

△ STAMP FOR MANUFACTURING LOCATION PERMISSIBLE.

△△ 325805-1
 325805
 PART NO.

| DIMENSIONS: | | DRAWN BY: | | DATE: | | TYPED BY: | | DATE: | |
|---|--|-------------------------|--|------------|--|------------------|--|----------------------|--|
| MM [INCHES] | | SK SCHRUM | | 02/28/90 | | MS FEHNER | | 23/MAY/95 | |
| | | MS FEHNER | | 23/MAY/95 | | MS FEHNER | | 23/MAY/95 | |
| | | IL SHUTTER | | | | | | | |
| | | PRODUCT SPEC: 108-30200 | | | | | | | |
| | | APPLICATION SPEC: - | | | | | | | |
| | | WEIGHT: .154 LB | | | | | | | |
| | | CUSTOMER DRAWING | | | | | | | |
| MATERIAL: ANNEALED COPPER PER ASTM B-75 | | FINISH: △ | | SIZE: A2 | | CAGE CODE: 00779 | | DRAWING NO: C=325805 | |
| | | | | SCALE: 2:1 | | SHEET: 1 of 1 | | REV: Z | |

1471-9 (1/08)

325805

A