

4

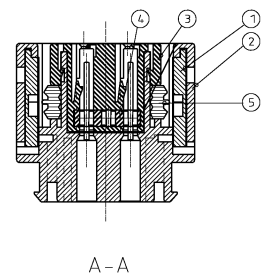
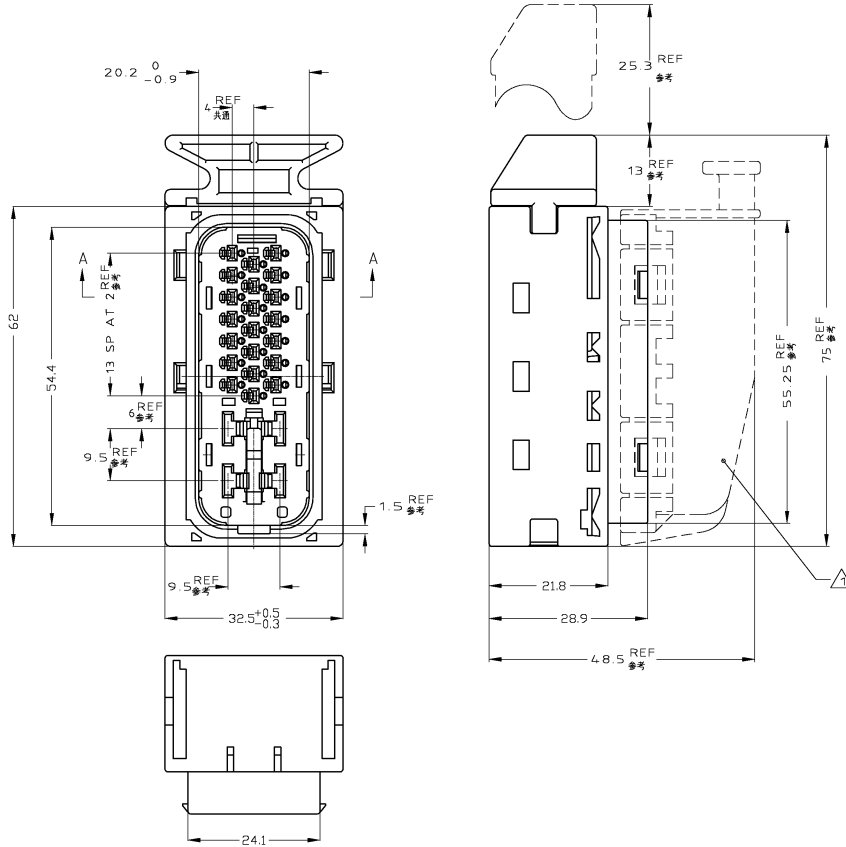
3

2

1

THIS DRAWING IS UNPUBLISHED. RELEASED FOR PUBLICATION. DRAWING NO. 316874-4
 © COPYRIGHT 1986 BY TYCO ELECTRONICS CORPORATION. ALL RIGHTS RESERVED.

LOC	DIST	REVISIONS			
J	-	REV	DESCRIPTION	DATE	BY
		C3	ADDED -4	ECR-06-018749	13NOV06 SU YF



△適用ワイヤーカバー: 316873-2
 △取扱説明書: 411-5789-1, 411-5982
 3. キャビ埋めパターン; シート2 OF 2参照

△APPLY WIRE COVER: 316873-2
 △INSTRUCTION SHEET: 411-5789, 411-5982-1
 3. CLOSED CAVITY PATTERN; SEE SHEET 2 OF 2

ITEM NO.	QTY	MATERIAL	NAME	COLOR (色)	ITEM NO.
1	1	SILICON RUBBER	SEAL RING	BROWN (茶色)	5
1	1	PBT	DBL LOCK PL	NATURAL (白色)	4
1	1	PBT	PLUG HSG	BLACK (黒色)	3
1	1	PBT	PLUG HSG	BLACK (黒色)	2
-	1	PBT	SLIDE	ORANGE (オレンジ)	1
1	1	PBT	SLIDE	GRAY (灰色)	1

1473234-1		175091-1	114-5126
060 CAVITY PLUG		175090-1	114-5126
APPLICABLE TERMINAL PN		900293-1	114-5216
APPLICATION SPEC			

THIS DRAWING IS A CONTROLLED DOCUMENT.

DRW	040CT98	DATE	040CT98
CHK	K. AOYAMA	APPD	070CT98
APPD	K. AOYAMA	NAME	TYCO Electronics
PRODUCT SPEC	108-5523	SIZE	A2
APPLICATION SPEC	SEE TABLE	DATE CODE	00779
WEIGHT	43 g	DRAWING NO.	C-316874
CUSTOMER DRAWING		SCALE	2:1

060/187 PLUG ASSY 25POSITION

RESTRICTED TO

SCALE 2:1 SHEET 1 OF 2 REV C.3

AMP 1471-9 REV 31MAR2000

316874

A

