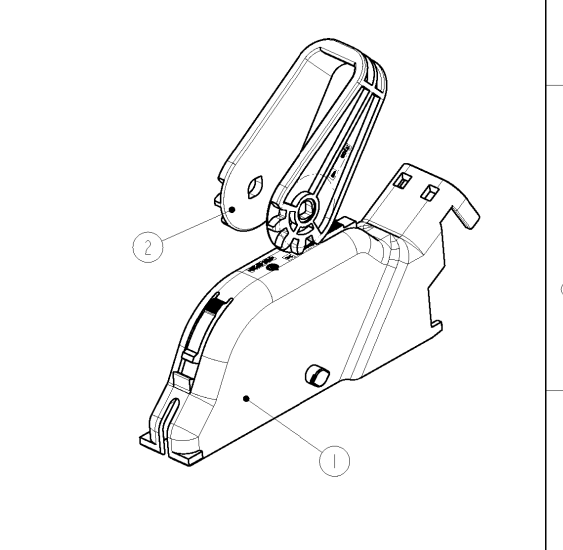


REVISONS		DATE	DWN	APVD
P	LTR	DESCRIPTION		
A	I	Zeichnung neu erstellt	02JUL2001	RD -
B	I	Kappe überarbeitet	15MAY2002	RD -
C	I	Kappe überarbeitet	20NOV2002	RD -



Bemerkungen  
 I Verpackung: Schuetztgut  
 Notes  
 I PACKAGING: LOOSE PIECE

AS SHOWN  
 - I wie gezeichnet

ORDER-NO. Bestell-Nr.	Rev.	PART-NO. Teil-Nr.	Rev.	Material	COLOUR Farbe	DESCRIPTION Benennung	St.	Nr.
1534184-2	C	1534183-1	A	PBT-GF20	VIOLET/violett	LEVER/Hebel	I	2
		1534182-1	C	PBT-GF20	BLACK/schwarz	COVER/Abdeckkappe	I	1
1534184-1	C	1534183-1	A	PBT-GF20	VIOLET/violett	LEVER/Hebel	I	2
		1534182-1	C	PBT-GF20	BLACK/schwarz	COVER/Abdeckkappe	I	1

DIMENSIONS: mm 		TOLERANCES UNLESS OTHERWISE SPECIFIED: PLC 1 PLC 2 PLC 3 PLC ENDS FINISH		ACC. TO DIN 15301-140 CENTRIC TO NOMINAL DIM ±0.1°		DWN 02JUL2001 R. Dierkes CHK 01AUG2001 B. Kirsch APVD -		tyco Electronics AMP GmbH D - 64625 Bensheim	
MATERIAL -				PRODUCT SPEC -		APPLICATION SPEC -		NAME COVER, ASSY, MCP-HSG., 32POSN. Abdeckkappe, ZSB, MCP-Gehaeuse 32pol.	
CUSTOMER DRAWING				SIZE A3		CAGE CODE 00779		DRAWING NO. G-1534184	
RESTRICTED TO				SCALE 2:1		SHEET 1 OF 1		REV C	