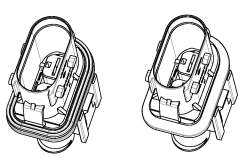
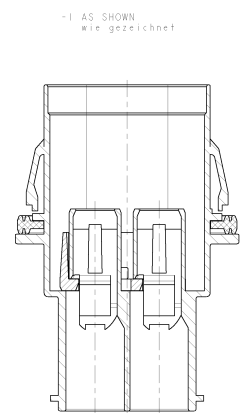
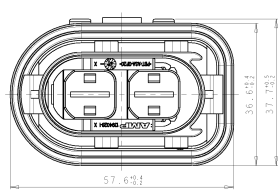
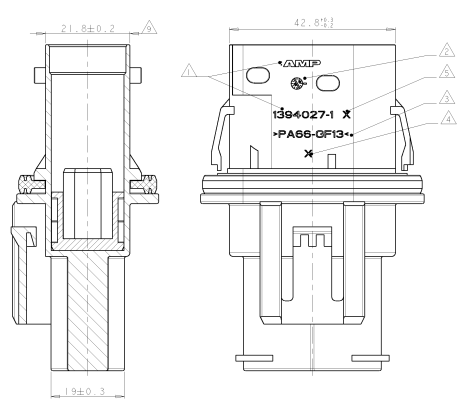
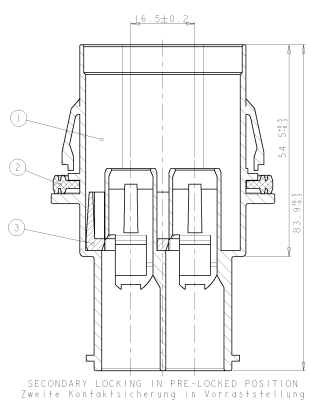
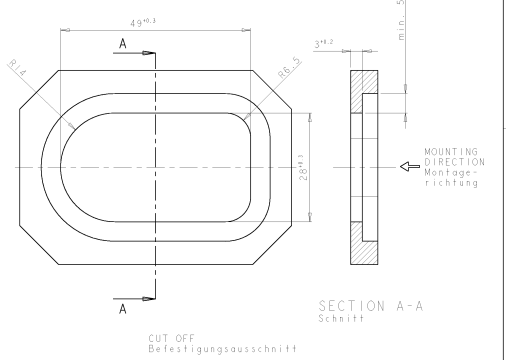
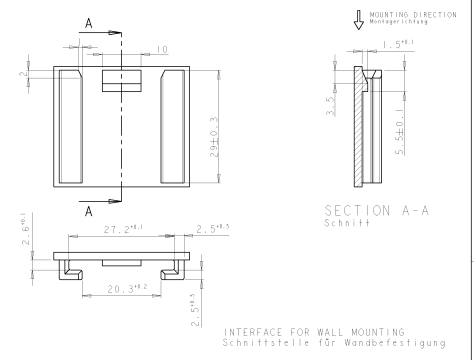


8	7	6	5	4	3	2	1
REVISIONS	REV. NO.	DATE	BY	CHKD.	APP.	DESCRIPTION	
A1	-	-	-	-	-	-	-



- NOTES  
Hinweise
- AMP LOGO AND AMP NUMBER  
AMP Logo und AMP Nummer
  - PRODUCTION DATE  
Produktionsdatum
  - MATERIAL MARKING ACC. TO VDA 260  
Materialkennzeichnung nach VDA 260
  - MOULD CAVITY MARKING  
Werkzeugsicherung
  - REVISION STATUS OF THE MOULD  
Revisionsstand des Werkzeugs
  - PACKAGING: LOOSE PIECE IN A CARDBOARD BOX  
Verpackung: Lose Teile in Karton
  - SUITABLE COUNTERPART: AMP-PN 1355328-1  
Passende Gegenstücke: AMP-PN 135520
  - SUITABLE CONTACTS (Passende Kontakte):  
AMP-PN 96312 (200 >4.0-6.0mm<sup>2</sup> FLK)  
AMP-PN 96314 (200 >6.0-10 mm<sup>2</sup> FLK)
  - SUITABLE SINGLE WIRE SEALS:  
Passende Einzeladern:  
AMP-PN 1355437 (1000 >4.0-6.0mm<sup>2</sup> FLK)  
AMP-PN 1355437-2 (1000 >6.0-10 mm<sup>2</sup> FLK)
  - MAX. ALLOWED WARPAGE: 30.5MM  
Max. zulässiger Wölbung: 30.5mm

REV. NO.	REV. DATE	REV. BY	REV. CHKD.	REV. APP.	REV. DESCRIPTION
A1	-	-	-	-	-



AMP ORDER NO.	REV.	POS.	QTY	MATERIAL	COLOUR	DESCRIPTION	ITEM
1394026-2	A	3	1	PBT/ASA-GF20	YELLOW gelb	SECONDARY LOCKING Zweite Kontaktsicherung	2
		1	1	PBT-GF13	BLACK Schwarz	9.5MM TAB HOUSING 9.5mm Tab-Gehäuse	
		3	1	PBT/ASA-GF20	YELLOW gelb	SECONDARY LOCKING Zweite Kontaktsicherung	
1394026-1	A	2	1	SILICONE	ORANGE orange	SEALING Dichtung	1
		1	1	PBT-GF13	BLACK Schwarz	9.5MM TAB HOUSING 9.5mm Tab-Gehäuse	

REVISIONS	REV. NO.	DATE	BY	CHKD.	APP.	DESCRIPTION
A1	-	-	-	-	-	-

AMP ORDER NO.	REV.	POS.	QTY	MATERIAL	COLOUR	DESCRIPTION	ITEM
1394026-2	A	3	1	PBT/ASA-GF20	YELLOW gelb	SECONDARY LOCKING Zweite Kontaktsicherung	2
		1	1	PBT-GF13	BLACK Schwarz	9.5MM TAB HOUSING 9.5mm Tab-Gehäuse	
		3	1	PBT/ASA-GF20	YELLOW gelb	SECONDARY LOCKING Zweite Kontaktsicherung	
1394026-1	A	2	1	SILICONE	ORANGE orange	SEALING Dichtung	1
		1	1	PBT-GF13	BLACK Schwarz	9.5MM TAB HOUSING 9.5mm Tab-Gehäuse	

AMP ORDER NO.	REV.	POS.	QTY	MATERIAL	COLOUR	DESCRIPTION	ITEM
1394026-2	A	3	1	PBT/ASA-GF20	YELLOW gelb	SECONDARY LOCKING Zweite Kontaktsicherung	2
		1	1	PBT-GF13	BLACK Schwarz	9.5MM TAB HOUSING 9.5mm Tab-Gehäuse	
		3	1	PBT/ASA-GF20	YELLOW gelb	SECONDARY LOCKING Zweite Kontaktsicherung	
1394026-1	A	2	1	SILICONE	ORANGE orange	SEALING Dichtung	1
		1	1	PBT-GF13	BLACK Schwarz	9.5MM TAB HOUSING 9.5mm Tab-Gehäuse	