

4

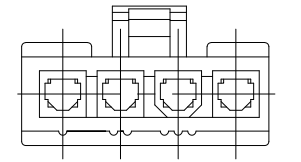
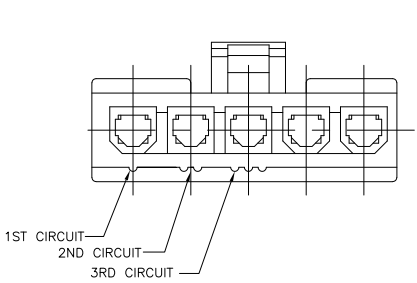
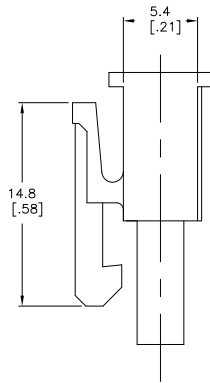
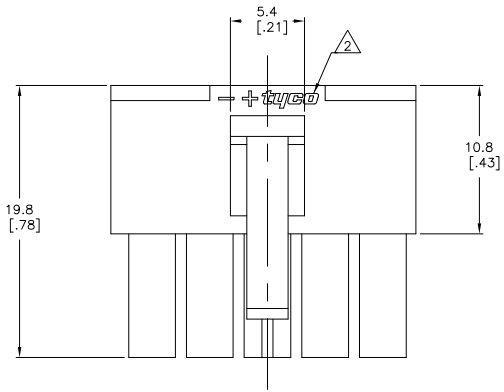
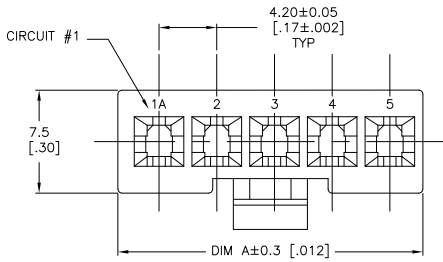
3

2

1

THIS DRAWING IS UNPUBLISHED. RELEASED FOR PUBLICATION.
 © COPYRIGHT BY TYCO ELECTRONICS CORPORATION. ALL RIGHTS RESERVED.

LOC	DIST	REVISIONS		
CM	00	F	LR	DATE
		A	WR-08-45	23SEP08
				MIN
				APP'D
				CC



4 POSITION MATING FACE
(FOR POLARIZATION IDENTIFICATION)

METRIC

- 1 GLOW WIRE APPROVED, CONTACT TYCO ELECTRONICS ENGINEERING FOR SPECIFICATION.
- 2 TE LOGO, - SIZE, LOCATION, AND ORIENTATION OPTIONAL.

22.2 [.87]	5	2029178-5
18.0 [.71]	4	2029178-4
DIM A	POS	PART NUMBER

DIMENSIONS		TOLERANCES UNLESS OTHERWISE SPECIFIED		THIS DRAWING IS A CONTROLLED DOCUMENT.	
mm	[INCHES]	0	PLC	±	0.1
		1	PLC	±	0.2
		2	PLC	±	0.2
		3	PLC	±	0.2
		4	PLC	±	0.2
			ANGLES	±	0.5
			FINISH		

DRW	K. WHITAKER	23SEP2008
CHK	C. CASH	23SEP2008
C	C. CASH	
APP'D	C. CASH	
PRODUCT SPEC		
APPLICATION SPEC		
WEIGHT		
MATERIAL		
FINISH		

Tyco Electronics Corporation		Harrisburg, PA 17105-3608	
RECEPTACLE, SINGLE ROW, VAL-U-LOK(TM)			
SIZE	A2	CAGE CODE	00779
DRAWING NO	C=2029178		RESTRICTED TO
CUSTOMER DRAWING	SCALE	5:1	SHEET 1 of 1

AMP 1471-9 REV 31MMR2000

2029178

A