

4

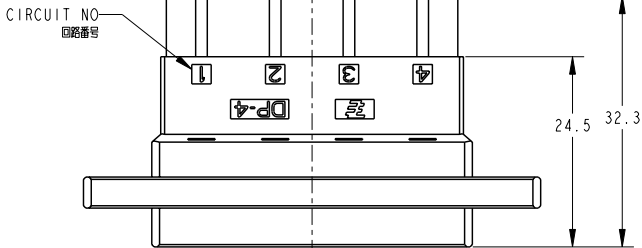
3

2

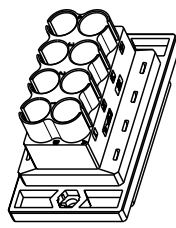
1

THIS DRAWING IS UNPUBLISHED. RELEASED FOR PUBLICATION 20  
 © COPYRIGHT 20 BY TYCO ELECTRONICS CORPORATION. ALL RIGHTS RESERVED.

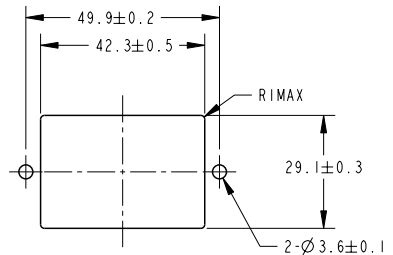
LOC	DIST	REVISIONS					
J	-	P	LTR	DESCRIPTION	DATE	DWN	APVD
		B		REVISED PER ECR-10-013235	09JUL2010	HMR	TM



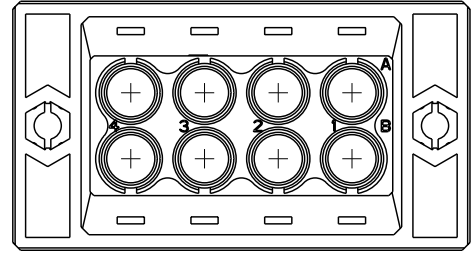
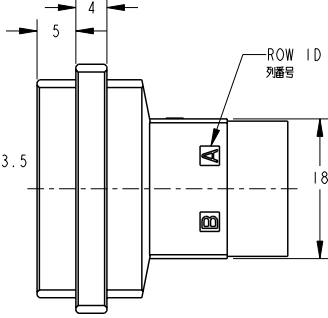
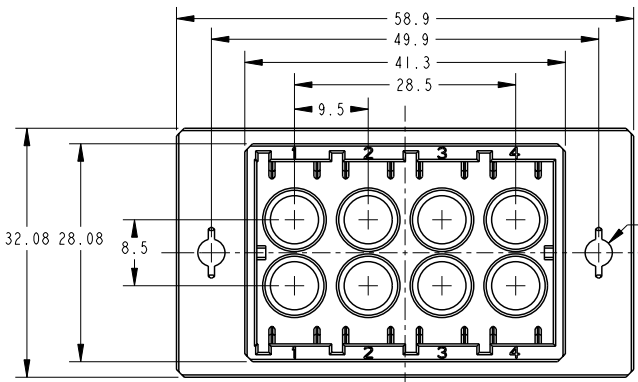
AS SHOWN: 1903106-1



スケール 1:1



ハネ加工推奨寸法  
 RECOMMENDED PANEL LAYOUT  
 スケール 1:1



注記

1. 材料:ハウジング:カラス入り熱可塑性(94V-0)、色:黒
2. ハネ取付推奨ネジ:M3SCREW
3. 嵌合コンタクト:オスコンタクト:P/No:1903100-1  
:メスコンタクト:P/No:1903289-1
4. 嵌合ハウジング:フランクハウジング8P:P/No:1903104-1  
:フランクハウジング2P:P/No:1903105-1

NOTE

1. MATERIAL:HOUSING:GLASS FILED THERMO PLASTIC POLYESTER(94V-0)  
COLOR:BLACK
2. PANEL ATTACHMENT RECOMMENDATION M3 SCREW.
3. MATE CONTACT:MALE CONTACT P/No:1903100-1  
:FEMALE CONTACT P/No:1903289-1
3. MATE HSG:PLUG HSG 8P:P/No:1903104-1  
:PLUG HSG 2P:P/No:1903105-1

<small>THIS DRAWING IS A CONTROLLED DOCUMENT FOR TYCO ELECTRONICS CORPORATION          IT IS SUBJECT TO CHANGE AND THE CONTROLLING ENGINEERING ORGANIZATION          SHOULD BE CONTACTED FOR THE LATEST REVISION.</small>		DWN 27OCT2006 T. Sakamoto CHK 27OCT2006 D. Mitsugi APVD 27OCT2006 D. Mitsugi	Tyco Electronics Tyco Electronics AMP K.K. Kawasaki, Japan
DIMENSIONS: 単位: mm 	TOLERANCES UNLESS OTHERWISE SPECIFIED: 一般公差 0 PLC ± 1 PLC ± ±0.4 2 PLC ± ±1* 3 PLC ± ±1* 4 PLC ± ±1* ANGLES ±	NAME 名称 CAP HSG 8P P/M PNEUMATIC CONNECTOR	RESTRICTED TO -
MATERIAL 素材	FINISH 仕上	PRODUCT SPEC 製品仕様 108-78406 APPLICATION SPEC 応用仕様 - WEIGHT 重量 - CUSTOMER DRAWING	SIZE 寸法 A3 CAGE CODE 庫番 00779 DRAWING NO 図番 1903106 SCALE 縮尺 2:1 SHEET 枚数 1 OF 1 REV 版 B