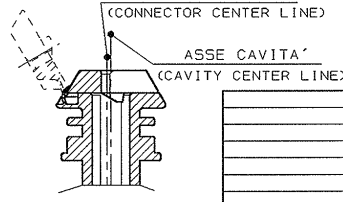
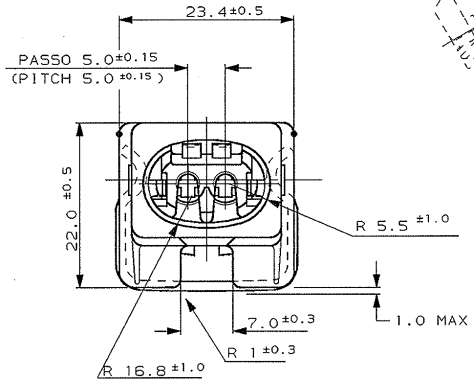
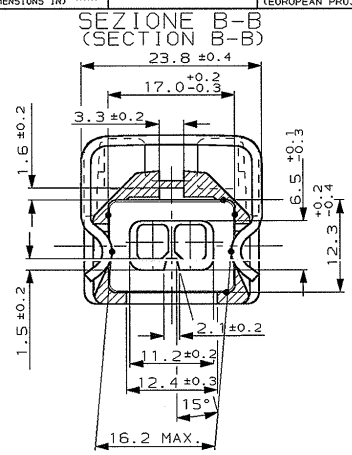
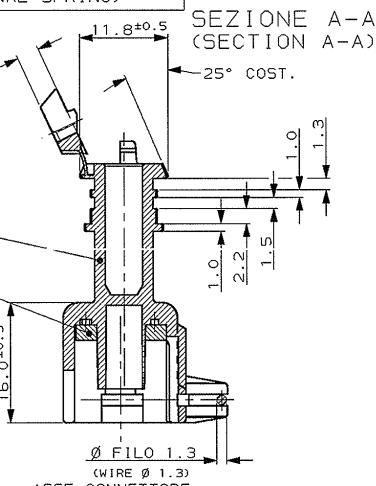
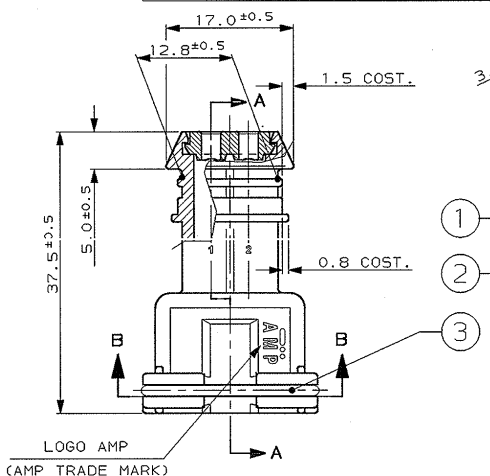


1 2 3 4 5 6 7 8

CONNETTORE TIPO A (CON MOLLA DI RITEGNO ESTERNA)
CONNECTOR TYPE A (WITH EXTERNAL SPRING)

SCALA NON IMPERATIVA (DO NOT SCALE)
DIMENSIONI IN (DIMENSIONS IN) mm METRIC PROIEZIONE EUROPEA (EUROPEAN PROJECTION)



ARANCIONE (ORANGE)	1745027-1	N° FINITURA / COLORE (ITEM) (FINISH / COLOUR)	1	PA 6.6 C. VETRO (PA 6.6-GF)	BLOCCETTO (HOUSING)
COLORE (COLOR)		N° MATERIALE (MATERIAL)	2	NATURALE (CLEAR)	GUARNIZIONE (SEALING)
		N° MATERIALE (MATERIAL)	3	ACCIAIO INOX (STAINLESS STEEL)	MOLLA (SPRING)

CUSTOMER DWG. FOR REFERENCE ONLY		DISEGNO PER CLIENTE SOLO PER RIFERIMENTO	
- THIS DRAWING IS UNPUBLISHED - RELEASE FOR PUBLICATION 19			
© COPYRIGHT IS BY AMP INCORPORATED, HARRISBURG, PA. ALL INTERNATIONAL RIGHTS RESERVED. AMP PRODUCTS MAY BE COVERED BY U.S. AND FOREIGN PATENT AND/OR PATENT PENDING.			
TOLLERANZE: SE NON DIVERSAMENTE SPECIFICATO (TOLERANCES: UNLESS OTHERWISE SPECIFIED)	DIAM. ISOLANTE (INS. DIA. RANGE)	RANGO FILO (WIRE RANGE)	SCALA (SCALE)
± 0.3			
ANGOLI (ANGLES)	± 2°		
DIS. 17 SEPT 04 CONT. M. PALMA	DESCRIZIONE (DESCRIPTION) 2 POS. SPLASH PROOF CONN. ASS'Y with CLOSED CAVITIES		
A1 REVISED PER ECR-07-012069 M.G.	DIS. 17 SEPT 04 CONT. R. MARTINI	LOC. SIZE (DWG NO)	REV. FOGLIO (SHEET)
A FIRST ISSUE ET00-0191-04 M.P.		I A3 C-1745027	A1 1/1
REV. REVISIONI (REVISION RECORD)	DIS. DATA (Dwg DATE)		

PRINTED IN ITALY

1 2 3 4 5 6 7 8