

4

3

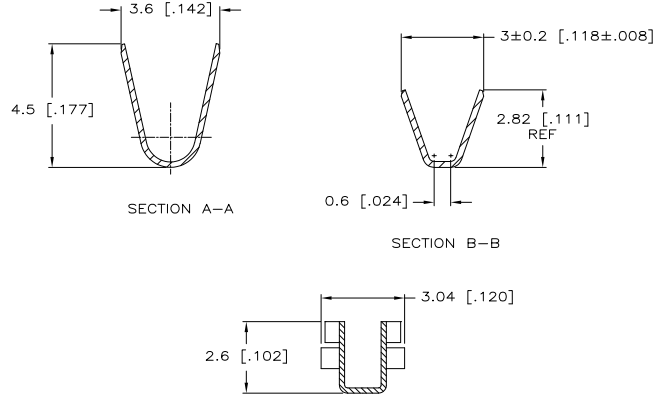
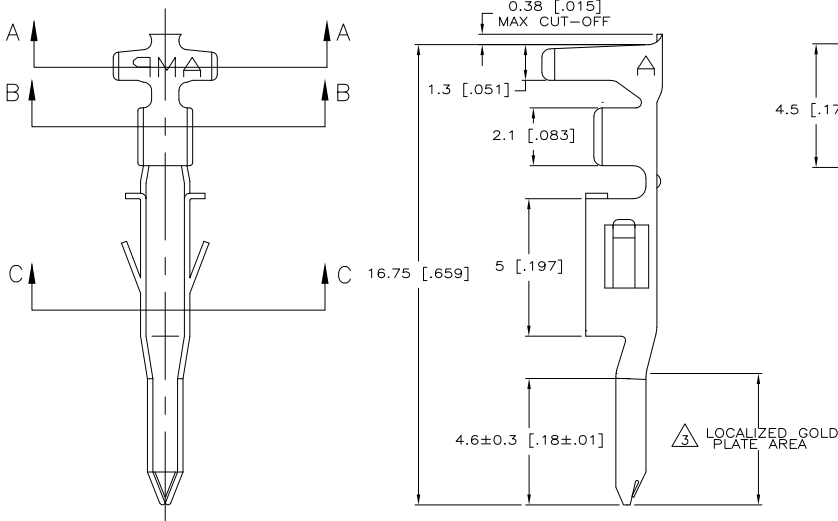
2

1

THIS DRAWING IS UNPUBLISHED. RELEASED FOR PUBLICATION
 © COPYRIGHT BY TYCO ELECTRONICS CORPORATION. ALL RIGHTS RESERVED.

LOC	DIST	REVISIONS			
F	LNK	DESCRIPTION	DATE	BY	APP'D
CM	00				
	B1	REVISED PER ECO-08-027061	05NOV08	HMR	CC

- 1. WIRE RANGE: 1.31mm² (16 AWG)
- 2. INSULATION RANGE: 3.10 [.122] DIA.
- △3 FINISH: 0.76µm [.000030 in] GOLD IN LOCALIZED GOLD PLATE AREA OVER 1.27µm [.00005 in] MINIMUM NICKEL.
- △4 FINISH: 2.54µm [.00001 in] MINIMUM TIN IN LOCALIZED TIN PLATE AREA.



△3 △4	PHOS. BRZ.	1586840-4
PRE-TIN	PHOS. BRZ.	1586840-3
△3 △4	BRASS	1586840-2
PRE-TIN	BRASS	1586840-1
FINISH	MATERIAL	PART NO.

METRIC

THIS DRAWING IS A CONTROLLED DOCUMENT.		DRW: K. WHITAKER 04MR2007	Tyco Electronics Corporation
		CHK: C. CASH 04MR2007	Harrisburg, PA 17105-3608
DIMENSIONS: mm [INCHES]		APP'D: C. CASH 04MR2007	NAME: C. CASH
TOLERANCES UNLESS OTHERWISE SPECIFIED:		PRODUCT SPEC:	
0 PLG	± .01	APPLICATION SPEC:	
1 PLG	± .01	WEIGHT:	
2 PLG	± 0.13 [0.05]	SIZE CASE CODE DRAWING NO:	
3 PLG	± .01	A2 00779 C=1586840	
4 PLG	± .01	RESTRICTED TO:	
ANGLES	± 0.30°	CUSTOMER DRAWING	
		SCALE: 10:1 SHEET 1 of 1 REV B1	

1586840

A