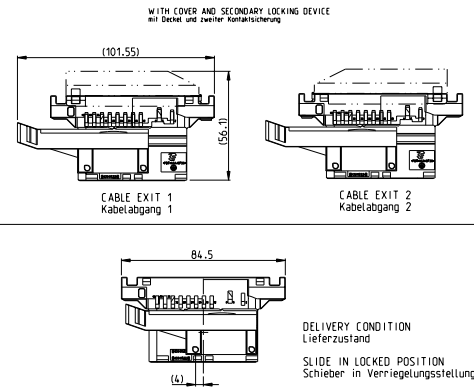
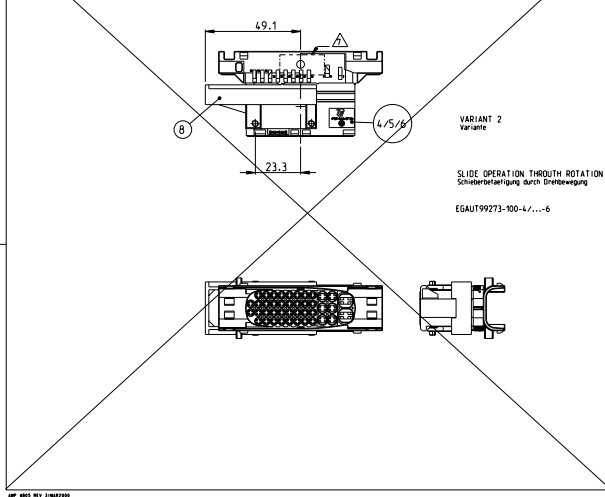
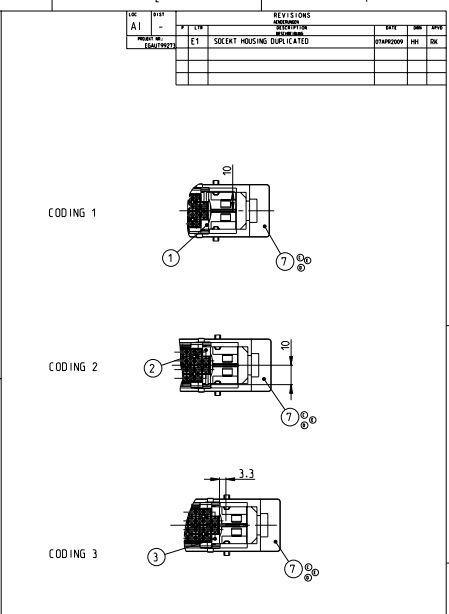
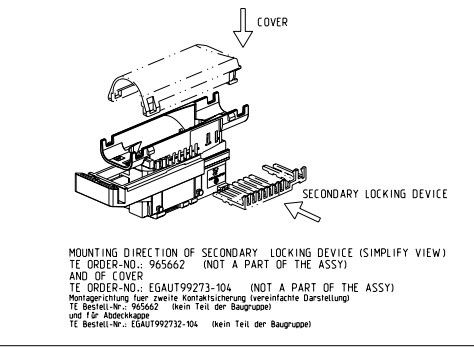
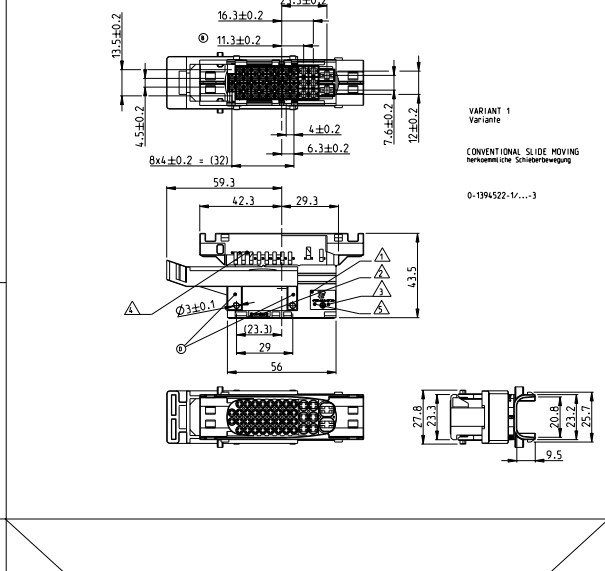


REVISIONS		DATE		BY	
AI	-	01.10.2008	-	AI	-
E1	SOCKET HOUSING DUPLICATED			STAMPED	PH DK



NOTES
Bemerkungen

- TYCO ELECTRONICS LOGO
Tyco electronics Logo
- TYCO ELECTRONICS ASSY-NO.
Tyco electronics Baugruppen-Nr.
- PRODUCTION DATE WITH DATE-CLOCK
Produktionsdatum mit Datumstempel
- CAVITY MARKING
Kammernummerierung
- MATERIAL MARKING ACCORDING TO VDA 260
Werkstoffkennzeichnung nach VDA 260
- LAYER PACKAGING IN CORRUGATED BOX
Lagerepackung in Wellenkarton
- CONVERSION KIT
Umbaukit

8 CAVITIES FOR SUITABLE CONTACTS:
Räumern für passende Kontakte

Pin	Position	Height (mm)	Width (mm)	Distance (mm)	Notes
1	1	0.8	1.8	11.3	
2	2	0.8	1.8	23.3	

TE ORDER-NO.	REV.	TE ORDER-NO. / REV.	MATERIAL	DESCRIPTION	POS.	ITEM
EGAUT99273-100-5	1	PREL-SP20	MIXED SOCKET HOUSING, VARIANT 1, CODING 3	MIXED SOCKET HOUSING, VARIANT 1, CODING 3	6	6
EGAUT99273-100-5	1	PREL-SP20	SLIDE FOR 4POS. SOCKET HSG. VARIANT 2	SLIDE FOR 4POS. SOCKET HSG. VARIANT 2	8	5
EGAUT99273-100-4	1	PREL-SP20	MIXED SOCKET HOUSING, VARIANT 1, CODING 2	MIXED SOCKET HOUSING, VARIANT 1, CODING 2	5	5
EGAUT99273-100-4	1	PREL-SP20	MIXED SOCKET HOUSING, VARIANT 2, CODING 2	MIXED SOCKET HOUSING, VARIANT 2, CODING 2	5	5
EGAUT99273-100-4	1	PREL-SP20	SLIDE FOR 4POS. SOCKET HSG. VARIANT 2	SLIDE FOR 4POS. SOCKET HSG. VARIANT 2	8	4
0-194522-3	E1	PREL-AS4-SP20	MIXED SOCKET HOUSING, VARIANT 1, CODING 3	MIXED SOCKET HOUSING, VARIANT 1, CODING 3	3	3
0-194522-2	E1	PREL-AS4-SP20	MIXED SOCKET HOUSING, VARIANT 1, CODING 3	MIXED SOCKET HOUSING, VARIANT 1, CODING 3	3	3
0-194522-2	E1	PREL-AS4-SP20	MIXED SOCKET HOUSING, VARIANT 1, CODING 3	MIXED SOCKET HOUSING, VARIANT 1, CODING 3	3	3
0-194522-1	E1	PREL-AS4-SP20	MIXED SOCKET HOUSING, VARIANT 1, CODING 1	MIXED SOCKET HOUSING, VARIANT 1, CODING 1	1	1
0-194522-1	E1	PREL-AS4-SP20	MIXED SOCKET HOUSING, VARIANT 1, CODING 1	MIXED SOCKET HOUSING, VARIANT 1, CODING 1	1	1
TE ORDER-NO. / TE BESTELLN-NR.	REV. / REV.	TE ORDER-NO. / REV.	MATERIAL / MATERIAL	DESCRIPTION / BESCHREIBUNG	POS.	ITEM
073AZ2000		073AZ2000	073AZ2000			
073AZ2000		073AZ2000	073AZ2000			
MT2 / JPT / SPT MIXED SOCKET HOUSING, 42POS., ASSY				HERM. BUCHSENDRUCKSCHÜTZE, 42POS., ASSY		
A	007719	007719	ca. 4.0g	1007719 (0)=1394522		1
CUSTOMER DRAWING				KUNDENZEICHNUNG	1	1