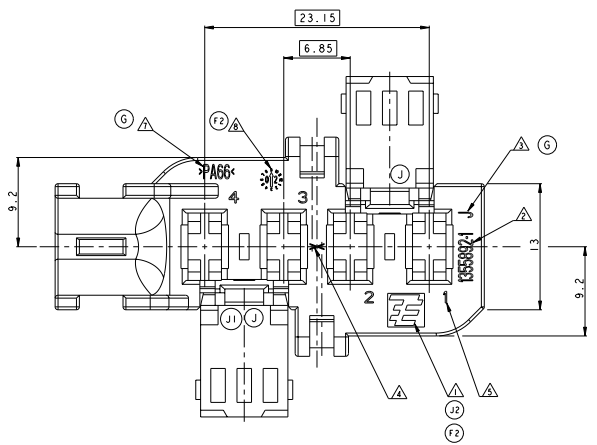
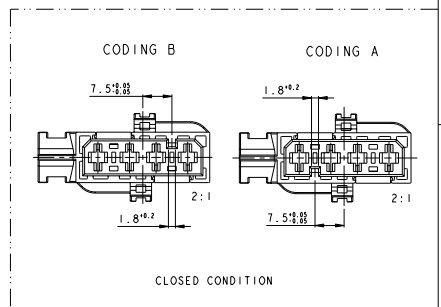
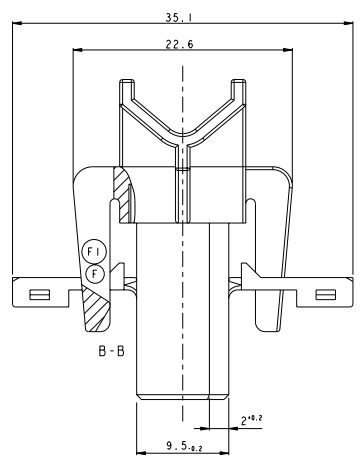
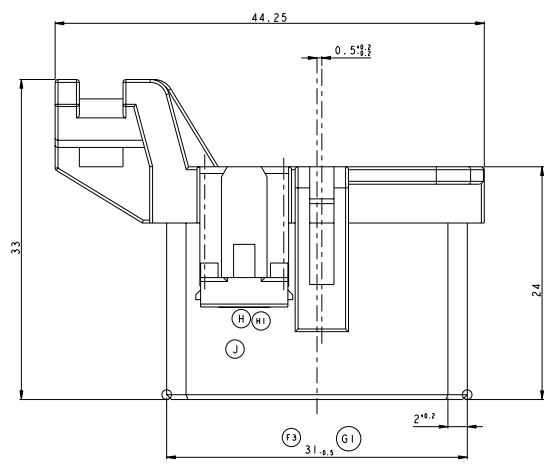
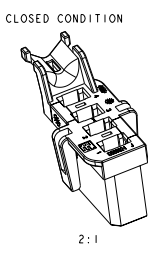


Project No.:  
**EGAUT99363**

REV	DATE	DESCRIPTION	BY	CHK	APP
J2	SEE E-08-019763				



MATING WITH:  
 Passend zu:  
 TAB HEADER  
 1379088-1  
 INTERFACE DRAWING  
 114-18367



- NOTES**  
 Bemerkungen
- (J2) (F2) TE-LOGO  
 TE-Logo
  - (A) ORDER-NUMBER  
 Bestell-Nummer
  - (A) REVISIONS-NUMBER  
 Revisionsnummer
  - (A) TOOL CAVITY MARKING  
 Werkstoffmarkierung
  - (A) CONTACT CAVITY MARKING  
 Kontakthohlenmarkierung
  - (H) (F2) 6 PACKAGING AS LOOSE PIECE  
 Verpackung als Lose-Teil
  - (A) MATERIAL MARKING  
 Werkstoffbezeichnung
  - (A) PRODUCTION DATE  
 Datum

Standard-Power-Timer	964324-1	964323-1	0.5-1.0	CuFe2	vor- verzinnt	539665-2	539635-1
Standard-Power-Timer	964326-1	964325-1	1.5-2.5	CuFe2	vor- verzinnt	539665-2	539635-1
Standard-Power-Timer	964328-1	964327-1	2.5-4.0	CuFe2	vor- verzinnt	539665-2	539635-1
Kontakte	TE Bestell-Nr. Bandausfuhrung	TE Bestell-Nr. Einzelausfuhrung	DGB in mm²	Werkstoff	Oberflaeche	Crimpwerkzeug (Maschine)	Crimpwerkzeug (Handzange)

VERSION	TE ORDER NO	REV	QTY	DESCRIPTION	MATERIAL	SURFACE COLOR	WEIGHT	ITEM NO
CODING A	1355892-1	J	1	4POS. SPT REC. HOUSING	PA66	GREY	6.0	1
AUSFUHRUNG	TE BESTELLNUMMER			NAME				

TECHNICAL	DATE	BY	CHK	APP
PA66				

ORDER NUMBER	1355892-1	TECHNICAL	DATE	BY	CHK	APP
DESCRIPTION	4POS. SPT RECEPTACLE HOUSING (GO-NOGO)					
STOCK CODE	00779	TECHNICAL	DATE	BY	CHK	APP
ORDER NUMBER	1355892					