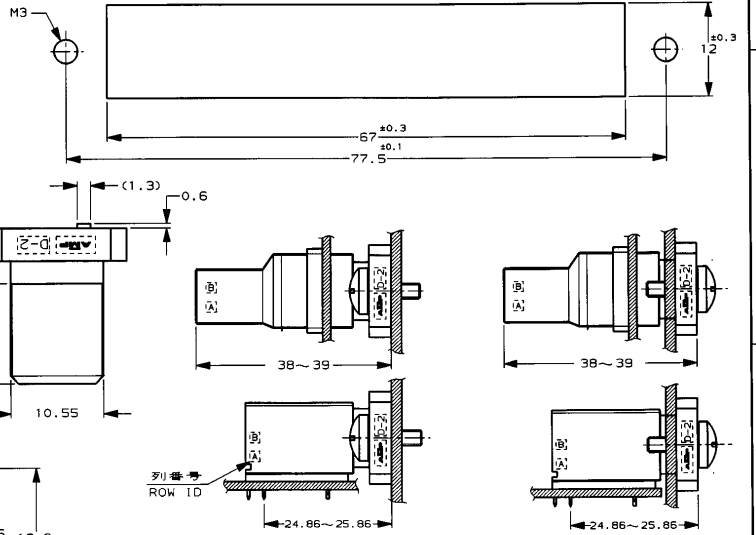
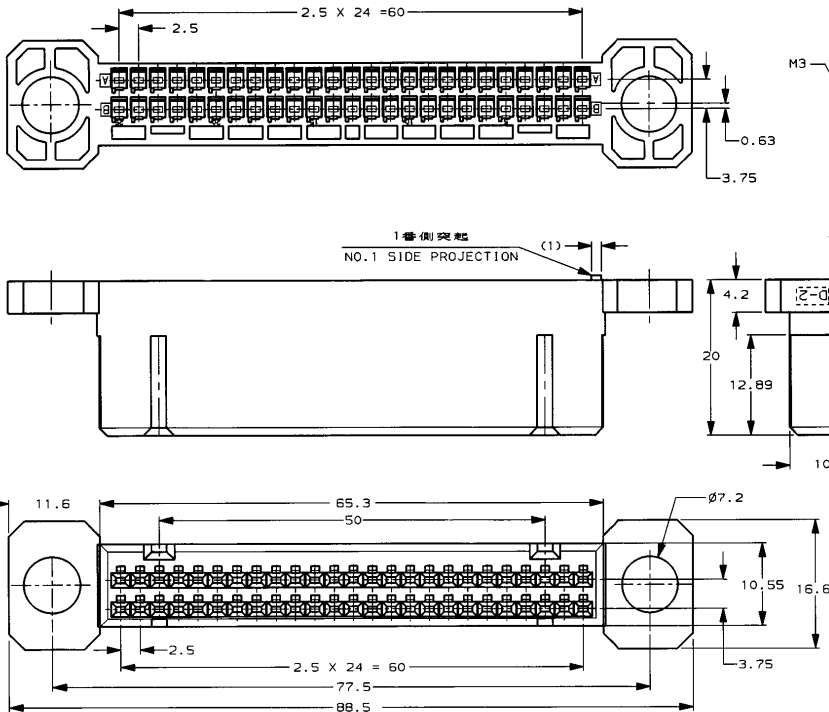


THIS DRAWING IS UNPUBLISHED. RELEASED FOR PUBLICATION ,1999  
 © COPYRIGHT 1999 BY AMP INCORPORATED. ALL RIGHTS RESERVED.

LOC	DISP	REVISIONS						
J	-	P	LTR	DESCRIPTION	ECN	DATE	OWN	APVD
		O		RELEASED	FJ00-0406-99	21 JUL 99	MH	SM
		A		REVISED	FJ00-1308-99	17 NOV 99	MH	SM
		B		REVISED	FJ00-2077-99	17 DEC 99	MH	IH
		C		REVISED	FJ00-0170-00	7 FEB 00	MH	SM
		D		REVISED	FJ00-1118-00	21 JUL 00	MH	SM

-1 : AS SHOWN

-1 : 本図



推奨パネルカット寸法 t=1.6-3.0 & 取付け推奨寸法  
 RECOMMENDED PANEL LAYOUT t=1.6-3.0 & MATING LAYOUT.

THIS DRAWING IS A CONTROLLED DOCUMENT FOR AMP INCORPORATED OWN. IT IS SUBJECT TO CHANGE AND THE CONTROLLING ENGINEERING ORGANIZATION SHOULD BE CONTACTED FOR THE LATEST REVISION.		19 JUL 99 M. HIGO	WIRE RANGE 適合電線断面積	破壊外違		
DIMENSIONS: 単位: ㎜ min	TOLERANCES UNLESS OTHERWISE SPECIFIED 一般公差 10㎜ : ±0.2 30㎜ : ±0.25 100㎜ : ±0.3 ANGLE : ±0.3°	21 JUL 99 S. MANABE	<b>AMP</b> タイコエレクトロニクスアンプ株式会社 Kawasaki, Japan			
MATERIAL 材料名 熱可塑性樹脂	FINISH 仕上	21 JUL 99 S. MANABE				
APPLICATION SPEC 取付適用規格 108-5659		NAME パネルマウント タイプ リセ ハウジング 50P <ダイナミック D-2000 ドロウ タイプ> PANEL MOUNT TYPE REC H56 50P <DYNAMIC D-2000 DRAWER TYPE>	SIZE A3	CAGE CODE 00779	DRAWING NO. 1318577	RESTRICTED TO -
WEIGHT 13g		CUSTOMER DRAWING		SCALE 2-1	SHEET 1 OF 1	REV D

参考図面