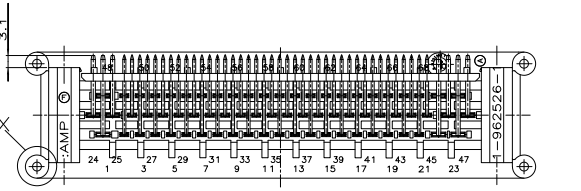
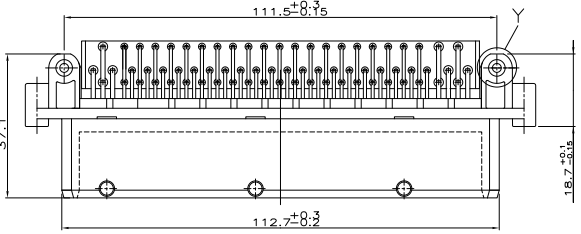
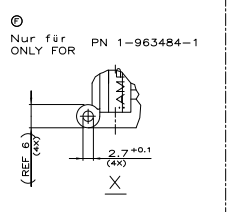
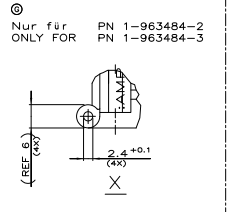
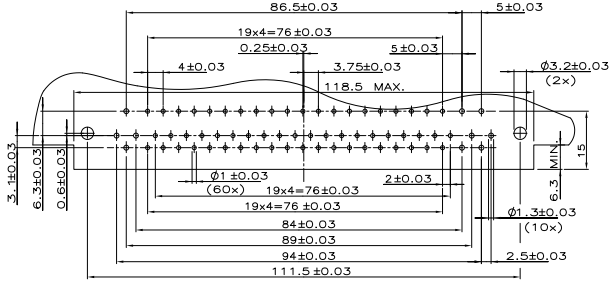


Nur für PN 1-963484-1  
ONLY FOR PN 1-963484-2

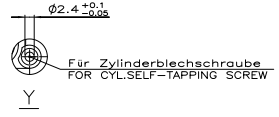
Nur für PN 1-963484-3  
ONLY FOR PN 1-963484-3



Leiterplattenlochbild für 90° + 270° Version  
PCB-LAYOUT FOR 90° + 270° VERSION



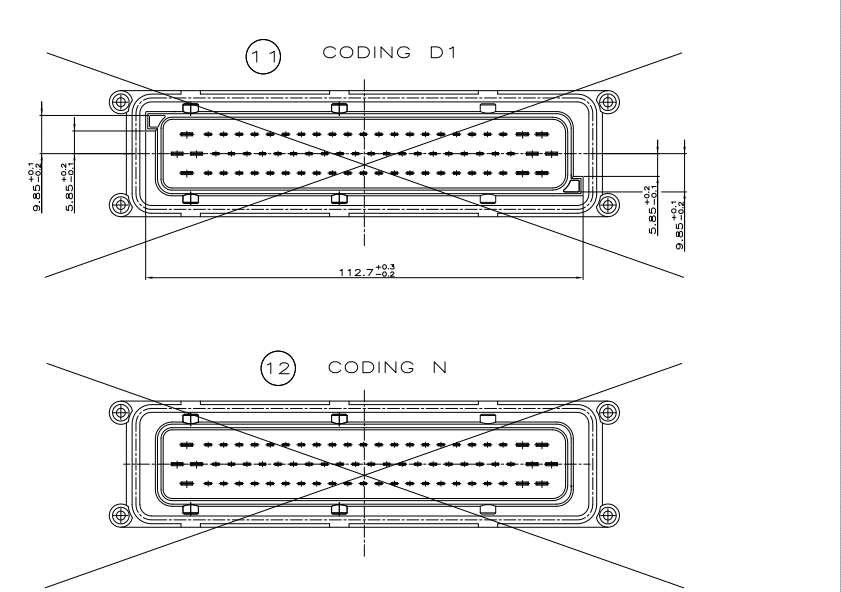
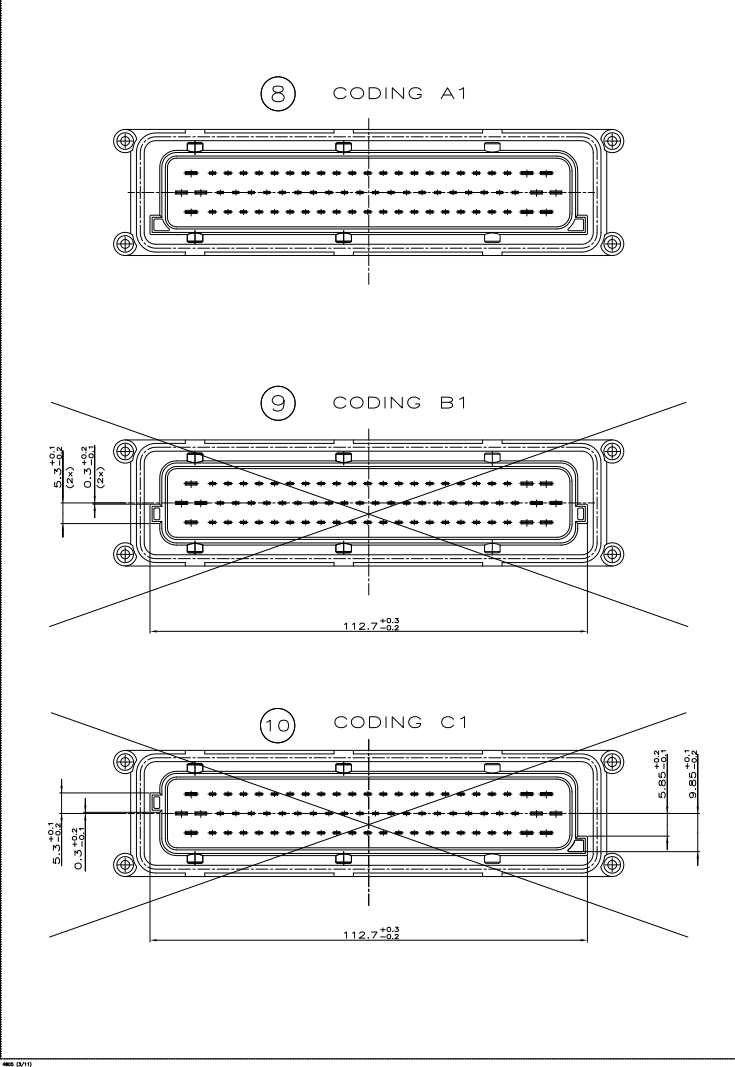
PARTS LIST SEE SHEET 2



BEZUGS-NR.	POS.	STAND.	BENENNUNG	ENGEWÄHRT	WENNSTOFF	GRÖßENLAGE	FORM

THIS DRAWING IS A CONTROLLED DOCUMENT.

ZEICHNUNG GÜLTIG AB .....  
 DATE: 00779  
 CUSTOMER DRAWING / KUNDENZICHUNG  
 DATE: 00779  
 PART: 1  
 SHEET: 1  
 TOTAL SHEETS: 2  
 G1



5-963484-1	D	1-12	1	TAB HEADER CODE N	PBT GF30	WHITE
COMPONENTS 1-7, EQUIVALENT TO COMPONENTS OF ENL 1-963484-1						
4-963484-1	D	4-4	1	TAB HEADER CODE D1	PBT GF30	BROWN
COMPONENTS 1-7, EQUIVALENT TO COMPONENTS OF ENL 1-963484-1						
3-963484-1	D	1-10	1	TAB HEADER CODE C1	PBT GF30	BLUE
COMPONENTS 1-7, EQUIVALENT TO COMPONENTS OF ENL 1-963484-1						
2-963484-1	D	9	1	TAB HEADER CODE B1	PBT GF30	GREY
COMPONENTS 1-7, EQUIVALENT TO COMPONENTS OF ENL 1-963484-1						
1-963484-3	A	8	1	TAB HEADER CODE A1	PBT GF30	BLACK
		7	1	CENTERING-PLATE	PBT GF30	BLACK
		6	3	TAB 3mm	CuSn4	PRE-TIN PLATED
		5	4	TAB 3mm	CuSn4	PRE-TIN PLATED
		4	3	TAB 3mm	CuSn4	PRE-TIN PLATED
1-963484-2	F	3	20	TAB 1.6mm	CuSn4	PRE-TIN PLATED
		2	20	TAB 1.6mm	CuSn4	PRE-TIN PLATED
		1	20	TAB 1.6mm	CuSn4	PRE-TIN PLATED
		8	1	TAB HEADER CODE A1	PBT GF30	BLACK
		7	1	CENTERING-PLATE	PBT GF30	BLACK
1-963484-1	F	6	3	TAB 3mm	CuSn4	PRE-TIN PLATED
		5	4	TAB 3mm	CuSn4	PRE-TIN PLATED
		4	3	TAB 3mm	CuSn4	PRE-TIN PLATED
		3	20	TAB 1.6mm	CuSn4	PRE-TIN PLATED
		2	20	TAB 1.6mm	CuSn4	PRE-TIN PLATED
1	20	TAB 1.6mm	CuSn4	PRE-TIN PLATED		

THIS DRAWING IS A CONTROLLED DOCUMENT.

DATE: 17-04-98  
 DRAWN BY: B. Blumhagen  
 CHECKED BY: M. Bublitz

TE Connectivity

TAB HEADER, 70 POS.

DATE: 17-04-98  
 DRAWN BY: B. Blumhagen  
 CHECKED BY: M. Bublitz

REVISED PER EDD-11-005150

21MR811 RK HMR