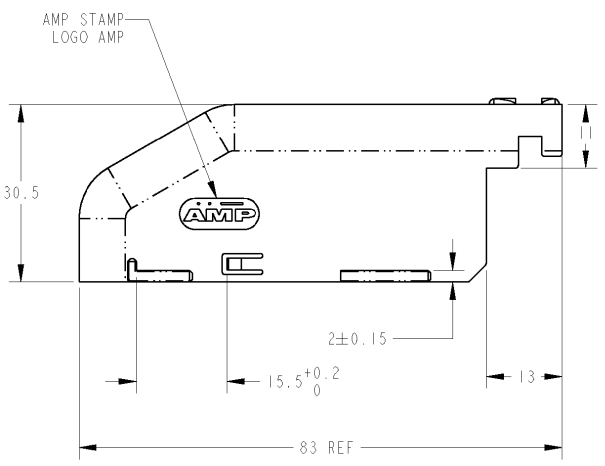
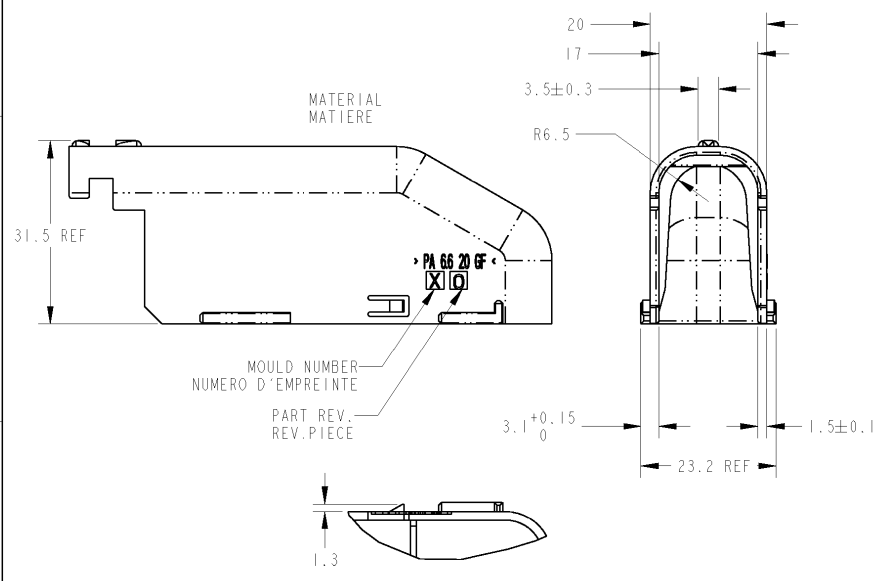


THIS DRAWING IS UNPUBLISHED. RELEASED FOR PUBLICATION .19 .  
 © COPYRIGHT 1997 BY AMP INCORPORATED. ALL RIGHTS RESERVED.

LOC	DIST	REVISIONS				
P	LTR	DESCRIPTION	DATE	DWN	APVD	
F	7					
A		PA66 20% FV WAS PA66 25% FV	18SEP 98	RB	-	
B		INCREASE OF LOCKING LATCH HEIGHT 1.3	05JUN2000	DB	JJR	



				1	BLACK	PA66 20% GF	HORIZ. COVER
COMPONENT QTY					COLOR	MATERIAL	DESIGNATION
953039-X					MAX. ADMISSIBLE STRAND		
-5	-4	-3	-2	-1	Ø 16 mm		

				1	NOIR	PA66 20% FV	CAPOT HORIZ
QTE COMPOSANT					COULEUR	MATIERE	DESIGNATION
953039-X					TORON MAXI ADMISSIBLE		
-5	-4	-3	-2	-1	Ø 16 mm		

THIS DRAWING IS A CONTROLLED DOCUMENT FOR AMP INCORPORATED. IT IS SUBJECT TO CHANGE AND THE CONTROLLING ENGINEERING ORGANIZATION SHOULD BE CONTACTED FOR THE LATEST REVISION.

DIMENSIONS: mm	TOLERANCES UNLESS OTHERWISE SPECIFIED: ±0.13 ±0.13 ±0.13 ANGLES FINISH ±1°	DWN REGIS BONNET MAY 97	AMP DE FRANCE 95301 PONTOISE
SEE TABLE	SEE TABLE	CHK JP. PICAUD 05JUN00	AMP
MATERIAL SEE TABLE		JPVD JJ REV II 05JUN00	NAME HORIZONTAL COVER FOR 31 WAYS HYBRID TIMER CONNECTOR CAPOT HORIZONTAL POUR CONNECTIQUE 31 V TIMER HYBRIDE
		PRODUCT SPEC 108-15172	RESTRICTED TO -
		APPLICATION SPEC 411-15599	SIZE A3
		WEIGHT 8g	CAGE CODE 00779
		CUSTOMER DRAWING	DRAWING NO G-953039
			SCALE 3:2
			SHEET 1 OF 1
			REV B

AMP 1470-19 REV 27JUN96  
 Proj/ENGINEER DRAWING