

4

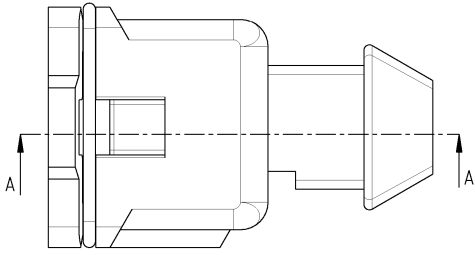
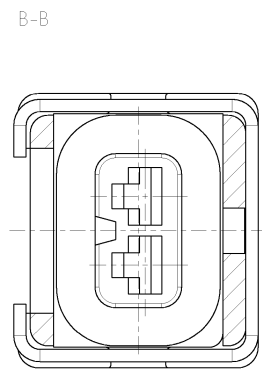
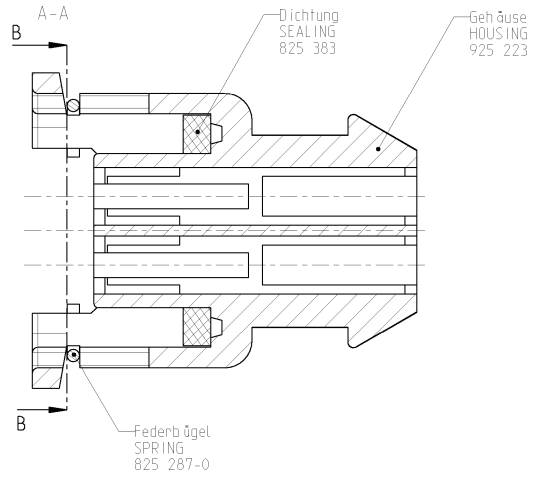
3

2

1

THIS DRAWING IS UNPUBLISHED. RELEASED FOR PUBLICATION 2006. ALL RIGHTS RESERVED.

LOC	DISP	REV	DESCRIPTION	DATE	BY	CHKD
A1	-	02	REVISED PER ECO-11-005284	29APR11	RK	HMR



ASSY NO.	COLOR	HSG.	MATERIAL	HSG.	SEALING NO.
3-825 414-6	BROWN	PA 6.6 GV 30			825 383-4
3-825 414-5	BLACK	PA 6.6 GV 30			825 383-4
3-825 414-3	BLUE	PA 6.6 GV 30			825 383-4
3-825 414-2	GREEN	PA 6.6 GV 30			825 383-4
3-825 414-1	GREY	PA 6.6 GV 30			825 383-4
3-825 414-0	CLEAR	PA 6.6 GV 30			825 383-4
2-825 414-6	BROWN	PA 6.6 GV 13			825 383-4
2-825 414-5	BLACK	PA 6.6 GV 13			825 383-4
2-825 414-3	BLUE	PA 6.6 GV 13			825 383-4
2-825 414-2	GREEN	PA 6.6 GV 13			825 383-4
2-825 414-1	GREY	PA 6.6 GV 13			825 383-4
2-825 414-0	CLEAR	PA 6.6 GV 13			825 383-4
1-825 414-6	BROWN	PA 6.6 GV 30			825 383-1
1-825 414-5	BLACK	PA 6.6 GV 30			825 383-1
1-825 414-3	BLUE	PA 6.6 GV 30			825 383-1
1-825 414-2	GREEN	PA 6.6 GV 30			825 383-1
1-825 414-1	GREY	PA 6.6 GV 30			825 383-1
1-825 414-0	CLEAR	PA 6.6 GV 30			825 383-1
825 414-6	BROWN	PA 6.6 GV 13			825 383-1
825 414-5	BLACK	PA 6.6 GV 13			825 383-1
825 414-3	BLUE	PA 6.6 GV 13			825 383-1
825 414-2	GREEN	PA 6.6 GV 13			825 383-1
825 414-1	GREY	PA 6.6 GV 13			825 383-1
825 414-0	CLEAR	PA 6.6 GV 13			825 383-1

DIMENSIONS: min 	0 PLC 1 PLC 2 PLC 3 PLC 4 PLC ANGLES FINISH	DWG: 18JUL2006 DES: Haas, C. CDD: 23AUG2006 APP: Stredak, F. APP: Bleicher, M. 25AUG2006	TE Connectivity ASSEMBLY FOR 2POS. FEMALE HSG. FOR JUNIOR-TIMER CONTACT 2 pol. Buchsengen. für JT Kontakt	SIZE: A2 CASE CODE: 100779 DRAWING NO: 825414	RESTRICTED TO: - SCALE: 5:1 SHEET: 1 OF 1 REV: 02
------------------------	---	---	---	---	--