

4

3

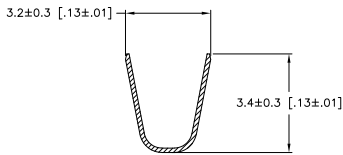
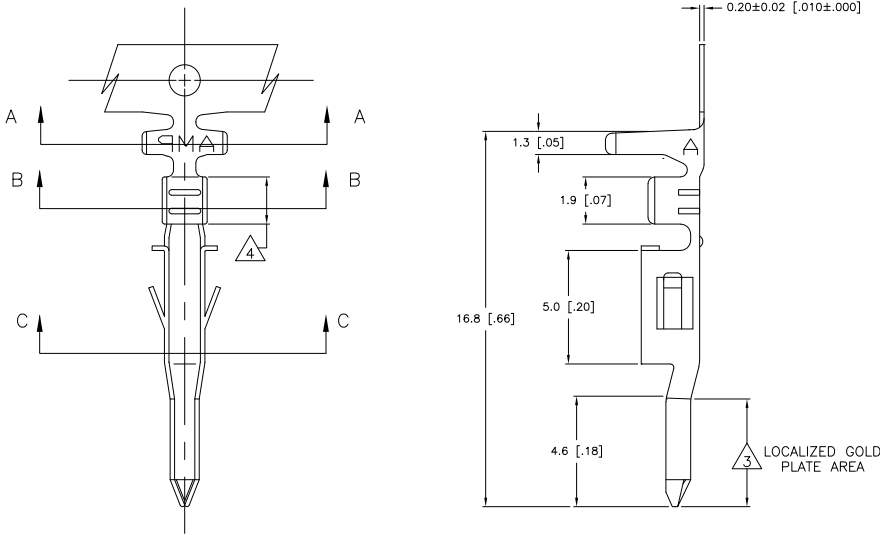
2

1

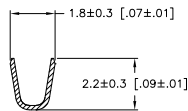
THIS DRAWING IS UNPUBLISHED. RELEASED FOR PUBLICATION
 © COPYRIGHT - By - ALL RIGHTS RESERVED.

LOC	DIST	REVISIONS			
F	LNK	DESCRIPTION	DATE	BY	APP
CM	00				
	F2	REVISED PER ECO-11-005027	11MAR11	RK	HMR

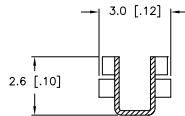
- 1 WIRE RANGE: 0.13-0.32mm² (26-22 AWG).
- 2 INSULATION RANGE: 1.20-1.75 DIA.
- 3 FINISH: 0.76µm MINIMUM GOLD IN LOCALIZED GOLD PLATE AREA OVER 1.27µm MINIMUM NICKEL
- 4 FINISH: 2.54µm MINIMUM PRE-TIN IN LOCALIZED TIN PLATE AREA.
- 5 FINISH: 2.54µm MINIMUM PRE-TIN ALL OVER.



SECTION A-A



SECTION B-B



SECTION C-C

GOLD	3	4	PHOS. BRZ.	794957-4
PRE-TIN	5	5	PHOS. BRZ.	794957-3
GOLD	3	4	BRASS	794957-2
PRE-TIN	5	5	BRASS	794957-1
FINISH:	MATERIAL:		PART NO.	

THIS DRAWING IS A CONTROLLED DOCUMENT.		DRN	06-SEP-2001	TE Connectivity	
DIMENSIONS: mm [INCHES]		DR	S. HAMM	TERMINAL PIN VAL-U-LOK(TM)	
TOLERANCES UNLESS OTHERWISE SPECIFIED:		CHK	D. COLEY	RESTRICTED TO	
0 PLG	±	APPD	D. COLEY	-	
1 PLG	±	NAME		SIZE	
2 PLG	± 0.25 [0.10]	PRODUCT SPEC		CASE CODE	
3 PLG	± 0.15 [0.06]	APPLICATION SPEC		DRAWING NO	
4 PLG	± 0.50 [0.020]	WEIGHT		A2 00779 C=794957	
ANGLES	±	CUSTOMER DRAWING		SCALE	
FINISH	±			10:1	
				SHEET	
				1 of 1	
				REV	
				F2	

METRIC