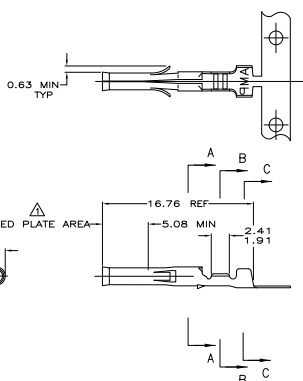
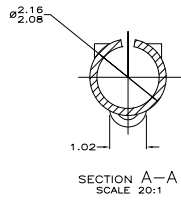
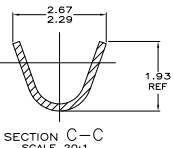
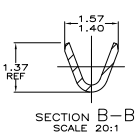


THIS DRAWING IS UNCLASSIFIED
 UNLESS INDICATED OTHERWISE
 ALL RIGHTS RESERVED

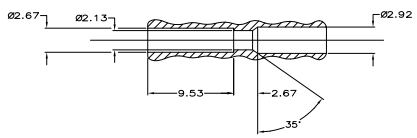
| REV | DATE | DESCRIPTION | BY | CHK | APP |
|-----|------|--------------------------|----------|-----|-----|
| CM | 53 | | | | |
| RT | | REVISED FOR ECO-11-04017 | 11/04/11 | RK | MM |



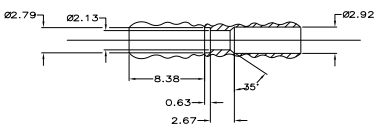
△ 0.0013 MIN NICKEL OVER ENTIRE RECEPTACLE WITH 0.0008 MIN GOLD INSIDE RECEPTACLE IN LOCALIZED PLATE AREA.
 2. EITHER CAVITY WILL ACCEPT RECEPTACLE 350628,640392 OR FIN 350629,640391.

| IN | MM |
|---------|--------|
| .660 | 16.76 |
| .375 | 9.53 |
| .330 | 8.38 |
| .200 | 5.08 |
| .115 | 2.92 |
| .110 | 2.79 |
| .105 | 2.67 |
| .095 | 2.41 |
| .090 | 2.29 |
| .085 | 2.16 |
| .084 | 2.13 |
| .082 | 2.08 |
| .081 | 2.06 |
| .079 | 2.01 |
| .076 | 1.93 |
| .075 | 1.91 |
| .062 | 1.57 |
| .060 | 1.52 |
| .055 | 1.40 |
| .054 | 1.37 |
| .040 | 1.02 |
| .025 | 0.63 |
| .020 | 0.51 |
| .005 | 0.13 |
| .000050 | 0.0013 |
| .000030 | 0.0008 |
| IN | MM |

CONVERSION TABLE



TYPICAL RECEPTACLE CAVITY SECTION REFERENCE



TYPICAL PLUG CAVITY SECTION REFERENCE



| FINISH | MATERIAL | INSULATION DIAMETER | WIRE RANGE | PART NO |
|---------|---------------|---------------------|------------|----------|
| △ | 0.20 BRASS | 1.52 MAX | 30-24 | 640392-5 |
| PRE-TIN | 0.20 PHILBRZ. | 1.52 MAX | 30-24 | 640392-2 |
| PRE-TIN | 0.20 BRASS | 1.52 MAX | 30-24 | 640392-1 |

THIS DRAWING IS A CONTROLLED DOCUMENT. SEE SALMON 3-20-87

APPROVED: [Signature] DATE: 10-11-11

TE Connectivity

062 SOCKET
COMMERCIAL PIN & SOCKET

SIZE: SEE USE TABLE NO. A1 00779 640392

REVISIONS TO: --

DATE: 5-1