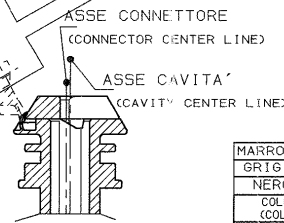
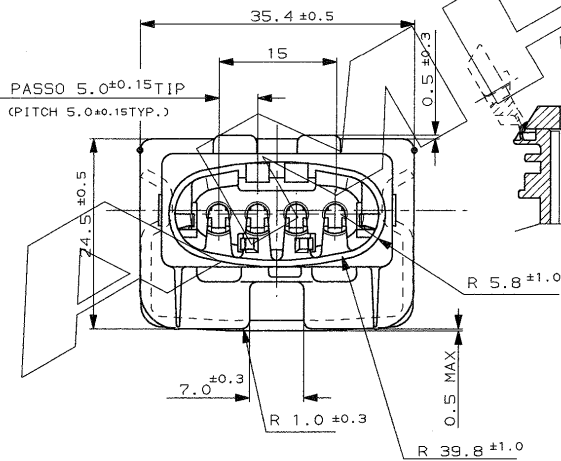
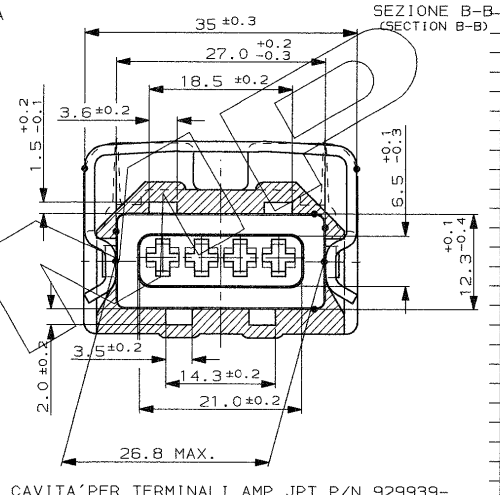
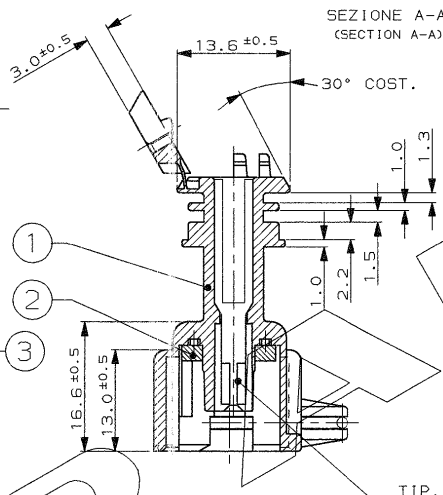
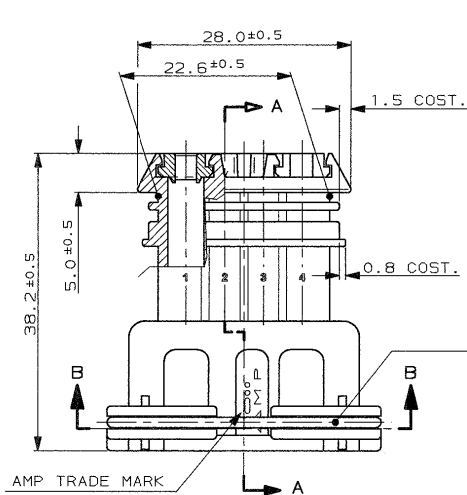


CONNETTORE TIPO A (CON MOLLA DI RITEGNO ESTERNA)  
CONNECTOR TYPE B (WITH INTERNAL SPRING)

SCALA NON IMPEGNATIVA  
(DO NOT SCALE)  
DIMENSIONI IN  
(DIMENSIONS IN) mm

**METRIC**

PROIEZIONE EUROPEA  
(EUROPEAN PROJECTION)



TIP. CAVITA' PER TERMINALI AMP JPT P/N 929939-...  
OPPURE 929937-... E RELATIVI GOMMINI  
AMP P/N 828904-1, 828905-1, 282536-1.  
TAPPO CAVITA' P/N 828906-2  
(TYP. CAV. FOR JPT CONT. P/N 929939-... A/O 929937-... AND REL.  
SINGLE WIRE SEAL P/N 828904-1, 828905-1, 282536-1  
CAVITY WIRE P/N 828906-2)

MARRONE (BROWN)	282764-3
GRIGIO (GREY)	282764-2
NERO (BLACK)	282764-1

COLORE (COLOR)	NUMERO (PART N°)	ASSY. REV.	N° FINITURA / COLORE (FINISH / COLOUR)	MATERIALE (MATERIAL)	DESCRIZIONE (DESCRIPTION)
----------------	------------------	------------	--	----------------------	---------------------------

3	//////	ACCIAIO INOX (STAINLESS STEEL)	MOLLA (SPRING)
2	NATURALE (NATURAL)	GOMMA SILICONE (SILICONE RUBBER)	GUARNIZIONE (SEALING)
1	//////	PA 6.6 C.VETRO (PA 6.6 G.F.)	BLOCCETTO (HOUSING)

CUSTOMER DWG. FOR REFERENCE ONLY  
DISEGNO PER CLIENTE SOLO PER RIFERIMENTO

THIS DRAWING IS UNPUBLISHED  
RELEASE FOR PUBLICATION 18

© COPYRIGHT 1985 BY AMP INCORPORATED, HARRISBURG, PA. ALL INTERNATIONAL RIGHTS RESERVED. AMP PRODUCTS MAY BE COVERED BY U.S. AND FOREIGN PATENT AND/OR PATENT PENDING TOLERANCES, SE NON DIVERGENTE SPECIFICATO (TOLERANCES, UNLESS OTHERWISE SPECIFIED)

DIAM. ISOLANTE (INS. DIA.) RANGE 1.5-3.0 (RED. INS. CABLE)  
RANGO FILO (WIRE RANGE) 0.5-2.5 mm<sup>2</sup>  
SCALA (SCALE) ---

ANGOLI (ANGLES) ± 0.3  
± 2°

DIS. 28 AUG 95  
A. BAJ

CONT. 28 AUG 95  
C. TARTARI

DESCRIZIONE (DESCRIPTION)  
4 POS. SPLASH PROOF CONN. ASS'Y with SECONDARY LOCK

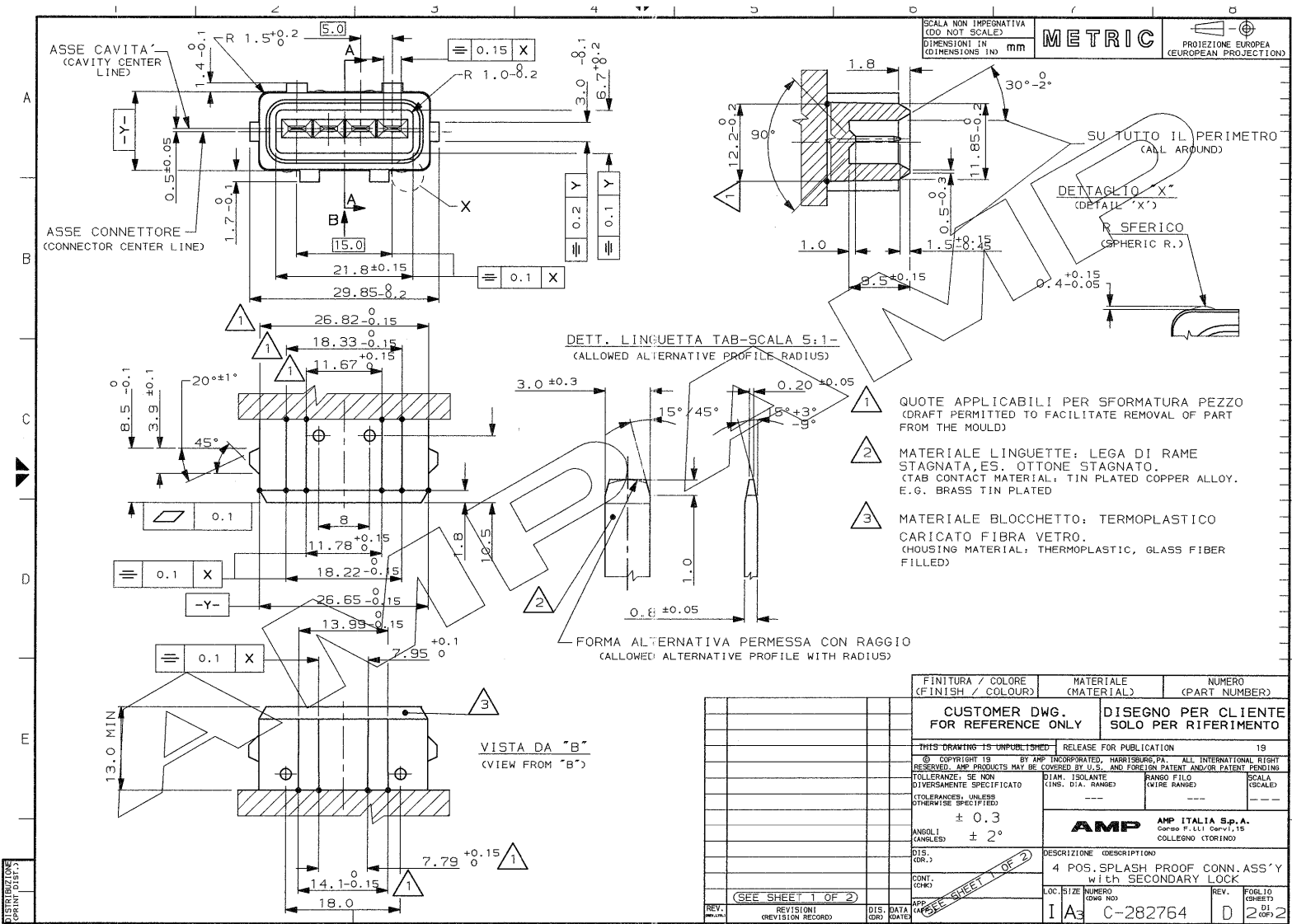
LOC. SIZE NUMERO (DWG. NO.)  
REV. FOLIO (SHEET)

I A3 C-282764 D 1 DI COP. 2

REVISIONI (REVISION RECORD)

REV. (REV.)	REVISIONI (REVISION RECORD)	DIS. DATA (DATE)	APP. (APP.)
D	REVISOR	28 AUG 95	A. BAJ
B	AGGIORNATO E IN PRODUZIONE ED ET00-0075-99	15-9	C. TARTARI
A	PRIMA EMISSIONE CON EDN ET00-0217-95	15-9	C. TARTARI

AMP-17A 7623 - 5/92



SCALA NON IMPERATIVA (DO NOT SCALE)  
 DIMENSIONI IN mm  
**METRIC**  
 PROIEZIONE EUROPEA (EUROPEAN PROJECTION)

- QUOTE APPLICABILI PER SFORMATURA PEZZO (DRAFT PERMITTED TO FACILITATE REMOVAL OF PART FROM THE MOULD)
- 1 MATERIALE LINGUETTE: LEGA DI RAME STAGNATA, ES. OTTONE STAGNATO. (TAB CONTACT MATERIAL: TIN PLATED COPPER ALLOY. E.G. BRASS TIN PLATED)
  - 2 MATERIALE BLOCCHETTO: TERMOPLASTICO CARICATO FIBRA VETRO. (HOUSING MATERIAL: THERMOPLASTIC, GLASS FIBER FILLED)
  - 3

DET. LINGUETTA TAB-SCALA 5:1 - (ALLOWED ALTERNATIVE PROFILE RADIUS)

FORMA ALTERNATIVA PERMESSA CON RAGGIO (ALLOWED ALTERNATIVE PROFILE WITH RADIUS)

VISTA DA "B" (VIEW FROM "B")

FINITURA / COLORE (FINISH / COLOUR)	MATERIALE (MATERIAL)	NUMERO (PART NUMBER)
CUSTOMER DWG. FOR REFERENCE ONLY		DISEGNO PER CLIENTE SOLO PER RIFERIMENTO
THIS DRAWING IS UNPUBLISHED		RELEASE FOR PUBLICATION 19
© COPYRIGHT 1981 BY AMP INCORPORATED, HARRISBURG, PA. ALL INTERNATIONAL RIGHTS RESERVED. AMP PRODUCTS MAY BE COVERED BY U.S. AND FOREIGN PATENT AND/OR PATENT PENDING.		
TOLLERANZE, SE NON DIVERSAMENTE SPECIFICATO (TOLERANCES, UNLESS OTHERWISE SPECIFIED)	DIAM. ISOLANTE (INS. DIA. RANGE)	RANGO FILO (WIRE RANGE)
± 0.3	---	---
ANGOLI (ANGLES) ± 2°	<b>AMP</b> AMP ITALIA S.p.A. Corso Ft. 411 Capv. 15 COLLEGO (TORINO)	
DIS. (DR.)	DESCRIZIONE (DESCRIPTION)	
CONT. (CONT.)	4 POS. SPLASH PROOF CONN. ASS'Y with SECONDARY LOCK	
APP. (APP.)	LOC. (LOC.)	NUMERO (NO.)
(SEE SHEET 1 OF 2)	I A3	C-282764
REV. (REV.)	DIS. (DR.)	DATA (DATE)
REVISIONI (REVISION RECORD)	DIS. (DR.)	DATA (DATE)
	REV. (REV.)	FOLIO (SHEET) 2 OF 2

APPROVATO PER LA STAMPATA  
 (APPROVED FOR PRINTING)