

4

3

2

1

THIS DRAWING IS UNPUBLISHED. RELEASED FOR PUBLICATION. ALL RIGHTS RESERVED.

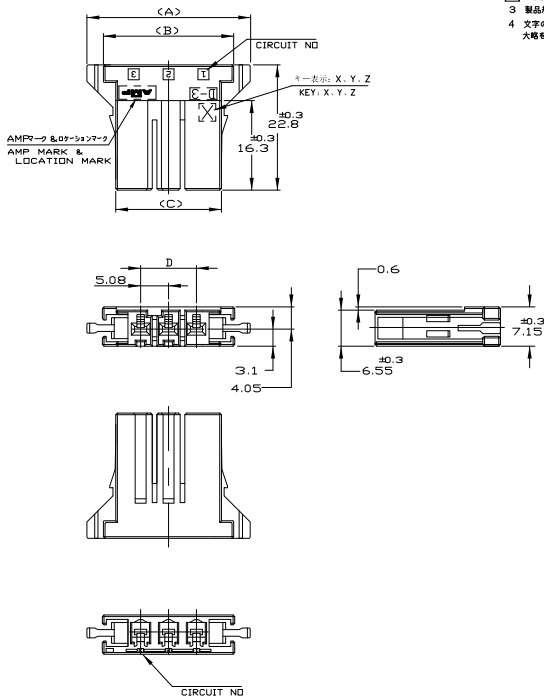
LOC	DIST	REVISIONS		DATE	BY	APP
F	LR	DESCRIPTION				
J		REVISED PER ECR-11-002363		05MAY11	TT	TM

注記

- 材料：ガラス入り熱可塑性ポリエステル樹脂
- 色：ブラック (EXCEPT 7-178128-3)  
オレンジ  
色 製品番号
- ガラス面はフロン塗膜の付
- 製品規格：108-5349
- 文字の形状、大きさ、および位置については、大略を示すものであり、詳細を示すものではありません。

NOTE

- MATERIAL: GLASS FIELD THERMO PLASTIC, POLYESTER
- BLACK (EXCEPT 7-178128-3)  
ORANGE  
COLOR PART NUMBER
- TO COAT ALL SURFACE OF HOUSING WITH TEFLON
- PRODUCT SPEC. : 108-5349
- THE SHAPE, SIZE AND POSITION OF THE CHARACTER SHOW THE OUTLINE THEY DON'T SHOW DETAILS



REV	DESCRIPTION	DATE	BY	APP	PART NO.				
2					2-178128-6				
1					1-178128-6				
2					2-178128-5				
1					1-178128-5				
OBSOLETE	<del>△</del>	<del>15.24</del>	<del>24.32</del>	<del>29.18</del>	<del>34.78</del>	<del>6-178128-4</del>			
OBSOLETE	<del>△</del>	<del>15.24</del>	<del>24.32</del>	<del>29.18</del>	<del>34.78</del>	<del>5-178128-4</del>			
		15.24	24.32	29.18	34.78	2-178128-4			
OBSOLETE	<del>△</del>	<del>10.16</del>	<del>19.24</del>	<del>24.10</del>	<del>29.7</del>	<del>7-178128-3</del>			
OBSOLETE	<del>△</del>	<del>10.16</del>	<del>19.24</del>	<del>24.10</del>	<del>29.7</del>	<del>6-178128-3</del>			
OBSOLETE	<del>△</del>	<del>10.16</del>	<del>19.24</del>	<del>24.10</del>	<del>29.7</del>	<del>5-178128-3</del>			
		10.16	19.24	24.10	29.7	3-178128-3			
		10.16	19.24	24.10	29.7	2-178128-3			
		10.16	19.24	24.10	29.7	1-178128-3			
OBSOLETE	<del>△</del>	<del>5.08</del>	<del>14.16</del>	<del>19.02</del>	<del>24.62</del>	<del>6-178128-2</del>			
OBSOLETE	<del>△</del>	<del>5.08</del>	<del>14.16</del>	<del>19.02</del>	<del>24.62</del>	<del>5-178128-2</del>			
		5.08	14.16	19.02	24.62	2-178128-2			
		5.08	14.16	19.02	24.62	1-178128-2			
FINISH KEYING LOCATION KEYING					D	C	B	A	(PART NO.)

THIS DRAWING IS A CONTROLLED DOCUMENT.

DRW: N. MATSUBARA	010203	TE Connectivity
CHK: S. MANABE	130209	
APP: S. MANABE	130209	DYNAMIC D-3200, 5.08 PITCH RECEPTACLE HOUSING (KEY: X, Y)
PRODUCT SPEC: -	-	
APPLICATION SPEC: -	-	SIZE: A2
WEIGHT: -	-	CAGE CODE: 00779
MATERIAL: FINISH: -	-	DRAWING NO: 178128
SEE NOTE	-	CUSTOMER DRAWING

SCALE: 1:1 SHEET: 1 of 2 REV: J

4

3

2

1

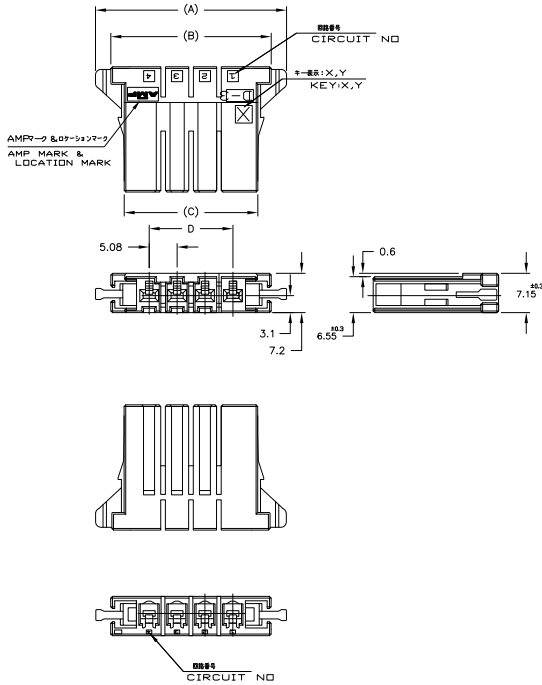
THIS DRAWING IS UNPUBLISHED. RELEASED FOR PUBLICATION. ALL RIGHTS RESERVED.

LOC	DIST	REVISIONS		DATE	BY	APPD
		F	LR			
-	-	-	-	-	-	-
				SEE SHEET 1		

本図 1- -5,2- -5,1- -6,2- -6:AS SHOWN

NOTE  
 1 MATERIAL: GLASS FIELD THERMO PLASTIC, POLYESTER  
 2 BLACK (EXCEPT 7-178128-3)  
 3 ORANGE 7-178128-3  
 4 COLOR PART NUMBER  
 5 TO COAT ALL SURFACE OF HOUSING WITH TEFLON  
 6 PRODUCT SPEC. 108-5349  
 7 THE SHAPE, SIZE AND POSITION OF THE CHARACTER  
 8 SHOW THE OUTLINE THEY DON'T SHOW DETAILS

注記  
 1 材料: ガラス入り熱可塑性ポリエステル樹脂  
 2 黒色 (7-178128-3を除く)  
 3 オレンジ 7-178128-3  
 4 色 部品番号  
 5 ホウソウの全表面にテフロン被膜をコート  
 6 製品規格: 108-5349  
 7 文字の形状、大きさ、および位置については、大略を示すものであり、詳細を示すものではありません。



	Y	25.4	34.48	39.34	44.94	2-178128-6
	X	25.4	34.48	39.34	44.94	1-178128-6
	Y	20.32	29.4	34.26	39.86	2-178128-5
	X	20.32	29.4	34.26	39.86	1-178128-5
						<del>6-178128-4</del>
						<del>5-178128-4</del>
						2-178128-4
						1-178128-4
						<del>7-178128-3</del>
						<del>6-178128-3</del>
						<del>5-178128-3</del>
						3-178128-3
						2-178128-3
						1-178128-3
						<del>6-178128-2</del>
						<del>5-178128-2</del>
						2-178128-2
						1-178128-2

SEE SHEET 1 OF 5

THIS DRAWING IS A CONTROLLED DOCUMENT.

KEYING LOCATION: D C B A

TE Connectivity

DYNAMIC D-3200, 5.08 PITCH RECEPTACLE HOUSING (KEY:X,Y)

APPROVALS: KIKEDA, SHIKAWA, S. MANABE

DATE: 28JUL95, 31JUL95, 02AUG95

APPLICATION SPEC: PRODUCT SPEC: WEIGHT: CUSTOMER DRAWING

SIZE: A2, CASE CODE: 00779, DRAWING NO: 178128

SCALE: 1:1, SHEET: 2 of 2, REV: J

178128

A