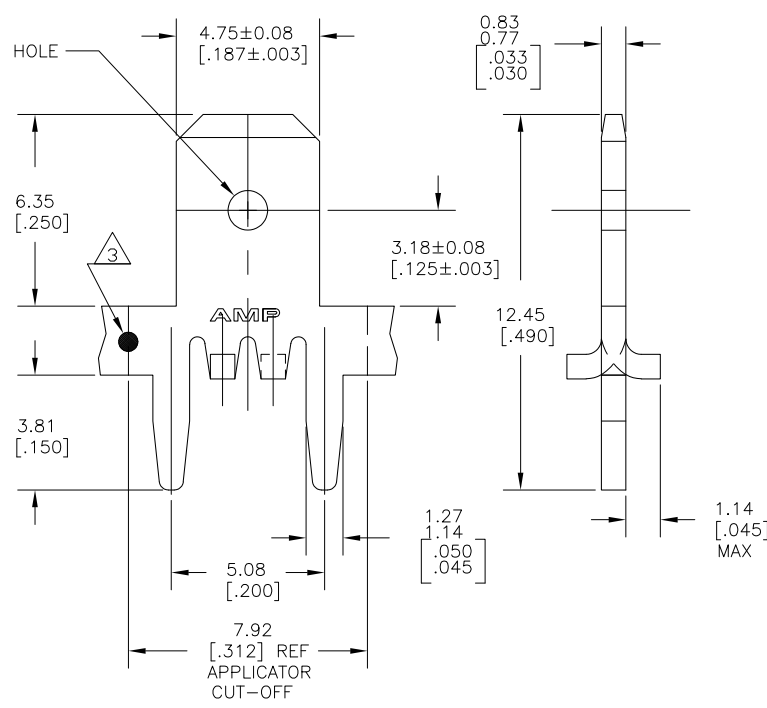
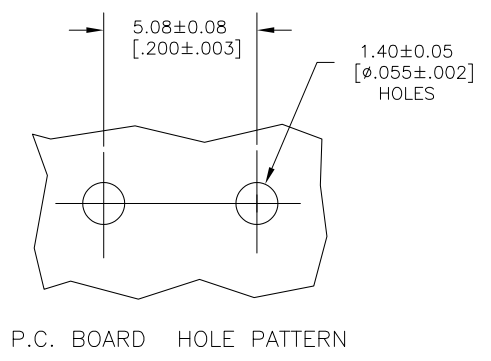


THIS DRAWING IS UNPUBLISHED. RELEASED FOR PUBLICATION  
 © COPYRIGHT BY TYCO ELECTRONICS CORPORATION. ALL RIGHTS RESERVED.

LOC	DIST	REVISIONS					
AF	50	P	LTR	DESCRIPTION	DATE	DWN	APVD
		F1		REV PER ECR-11-003939	22FEB11	JR	PD



- 1 CONTINUOUS STRIP ON REELS.
- △ TIN PLATE 0.00381 [.000150] MIN OVER 0.00254 [.000100] MIN THK COPPER OR TIN PLATE 0.00381 [.000150] MIN OVER 0.00127 [.000050] MIN THK NICKEL.
- △ 3 OPTIONAL ID MARK, LOCATED APPROX AS SHOWN.



1217133-1  
PART NO.

THIS DRAWING IS A CONTROLLED DOCUMENT.		DWN JR RUTH 28MAR01	Tyco Electronics Corporation Harrisburg, PA 17105-3608	
DIMENSIONS: mm [INCHES]		CHK MS FEHER 28MAR01	NAME TAB, FASTON, P.C.BOARD 4.75 [.187]	
TOLERANCES UNLESS OTHERWISE SPECIFIED:		APVD N DEIBERT 28MAR01	PRODUCT SPEC APPLICATION SPEC 114-2115	
MATERIAL 082 BRASS		FINISH △	SIZE A3	CAGE CODE 00779
		WEIGHT -	DRAWING NO C=1217133	RESTRICTED TO -
CUSTOMER DRAWING			SCALE 8:1	SHEET 1 of 1
			REV F1	