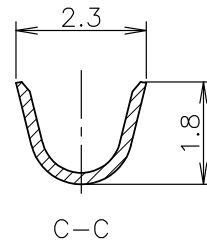
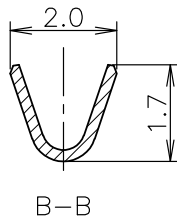
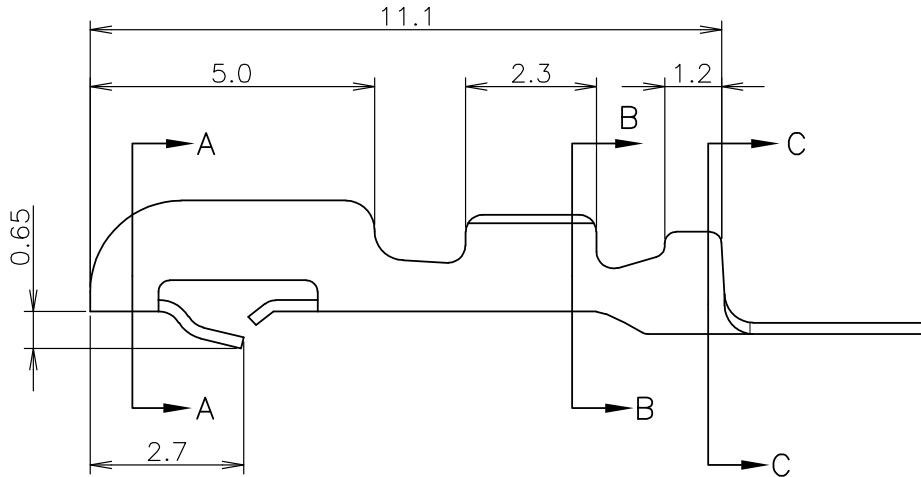
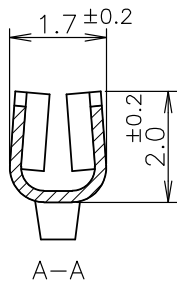
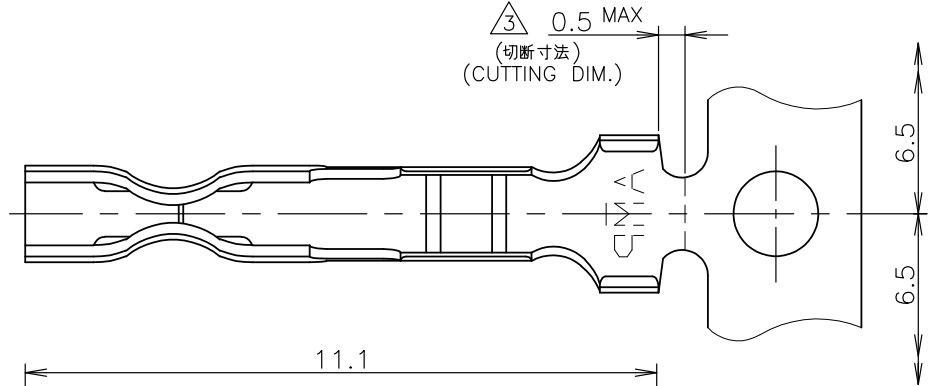


LOC J	DIST	REVISIONS 変更			DATE	DWN	APVD
		P	LTR	DESCRIPTION			
			G1	REVISED PER ECO-11-005294	13APR11	RK	HMR



NOTES

- | | |
|--|---------------------------------|
| 1 HOUSINGS, P/N: 171822 AND 171880 ARE USED. | 1 使用ハウジングは製品型番: 171822及び 171880 |
| 2 L/P CONTACT P/N: 170204-2 | 2 L/P端子 製品型番: 170204-2 |
| ③ HAND TOOL P/N: 722560-1 | ③ 適用手動工具 製品型番: 722560-1 |

GENERAL TOLERANCE 一般公差
10 ≥ : ±0.4
30 ≥ > 10: ±0.4
100 ≥ > 30: ±0.4
ANGLES: ±1°

THIS DRAWING IS UNPUBLISHED. ALL RIGHTS RESERVED. COPYRIGHT 1997 By -

DIMENSIONS: 単位: 耗 mm	DWN H.HOSHINO 05DEC1997
TOLERANCES UNLESS OTHERWISE SPECIFIED: 一般公差	CHK K.ASAKAWA 08DEC1997
0 PLC ± -	APVD S.KUBOUCHI 27OCT1998
1 PLC ± -	PRODUCT SPEC 製品規格 108-5118
2 PLC ± -	APPLICATION SPEC 取付適用規格 114-5035
3 PLC ± -	WEIGHT
4 PLC ± -	
ANGLES ± -	

WIRE RANGE 包含電線断面積 (AWG26~20) 0.14~0.52 mm ²	INSULATION DIA 被覆外径 1.1~1.9 mmφ
MATERIAL 0.2mm THICKNESS 材料 PHOS BR	FINISH 仕上 PRE-TIN

TE Connectivity

NAME
名称 CONTACT, AMP EI SERIES CONNECTOR
コンタクト AMP EI シリーズ コネクタ

SIZE A4 CAGE CODE 00779 DRAWING NO. 170262-2 RESTRICTED TO

CUSTOMER DRAWING	SCALE 8:1	SHEET 1 OF 1	REV G1
------------------	-----------	--------------	--------