

4

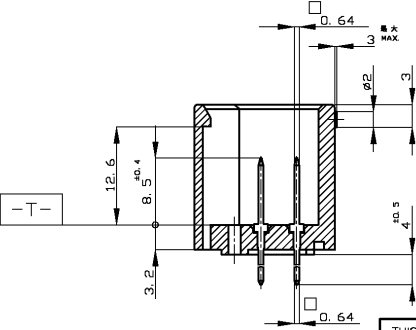
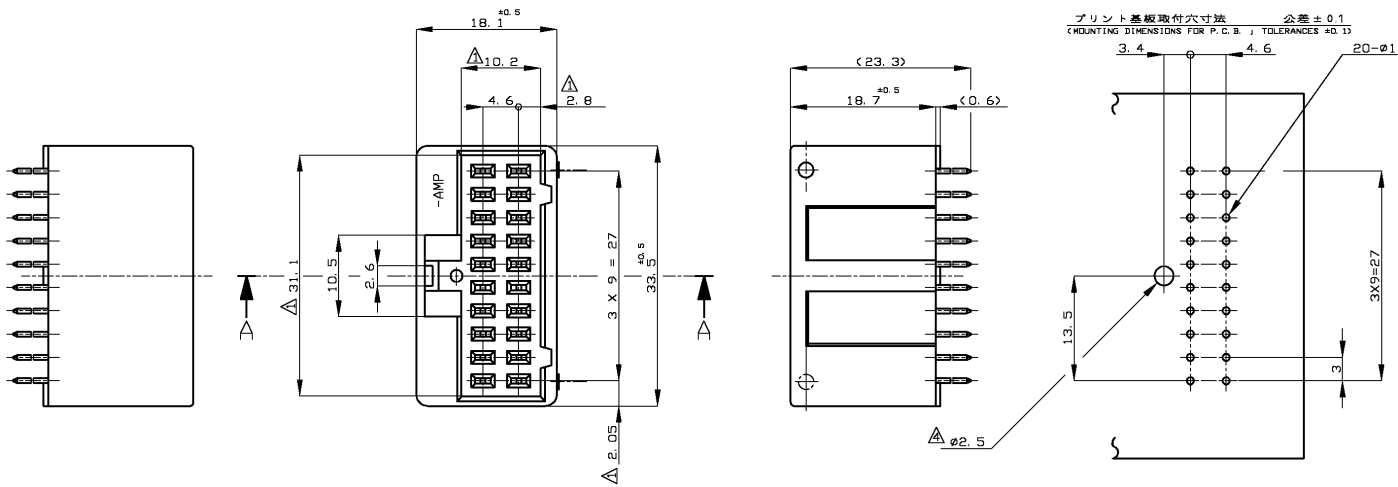
3

2

1

THIS DRAWING IS UNPUBLISHED. RELEASED FOR PUBLICATION
 COPYRIGHT BY TYCO ELECTRONICS CORPORATION. ALL RIGHTS RESERVED.

LOC	DIST	REVISIONS					
J	-	P	LTR	DESCRIPTION	DATE	DWN	APVD
		D1	REVISED	ECR-06-003257	10FEB06	TS	KB



- △ [-T-] 面より2mmの範囲で測定
- △ THESE DIMENSIONS TO BE MEASURED BETWEEN [-T-] AND 2.0
- 2. 適合する相手ハウジングは型番 172047, 172850
- 2. MATABLE PLUG HOUSING ; 172047, 172850.
- 3. 適用製品規格 NO. 108-5124
- 3. PRODUCT SPECIFICATION ; 108-5124.
- △ 推奨取付ねじ ; JIS B1115, B1122 タッピンねじ
- △ RECOMMENDED MOUNTING SCREW ; JIS B1115 OR B1122
- なべ3種 呼び径2,長さ5
- △ PAN HEAD TAPPING SCREW, CLASS 3, DIAMETER 2, LENGTH 5.

SELECTIVE-TIN	PRE-TIN	BLACK	172257-2
SELECTIVE-TIN (MATTE)	SELECTIVE-TIN (BRIGHT)	BLACK	172257-1
SOLDERING SIDE 手田付け部	CONTACT SIDE 接点部	COLOR 色	PART NUMBER 製品型番

THIS DRAWING IS A CONTROLLED DOCUMENT.

DIMENSIONS: 単位: 精 mm	TOLERANCES UNLESS OTHERWISE SPECIFIED: 一般公差	DWN T. SHINOHARA 10FEB06	10FEB06	Tyco Electronics AMP K.K. Kawasaki, Japan
0 PLC ± -	1 PLC ± -	CHK K. BETSUI 10FEB06	10FEB06	
2 PLC ± -	3 PLC ± -	APVD K. BETSUI 10FEB06	10FEB06	NAME 名称
4 PLC ± -	ANGLES ± -	PRODUCT SPEC 製品規格		20POSITION VERTICAL TYPE CAP HOUSING ASSEMBLY DUALLINE INTERLOCK CONNECTOR
MATERIAL 材料	FINISH 仕上	APPLICATION SPEC 取付適用規格		SIZE 寸法
CONTACT ; COPPER ALLOY	SEE TABLE	WEIGHT		CAGE CODE 番号
HOUSING ; 66NYLON				DRAWING NO 図号
				RESTRICTED TO
				A3 00779 172257
				CUSTOMER DRAWING
				SCALE 尺度
				2:1
				SHEET 枚数
				1 OF 1
				REV 改訂
				D1