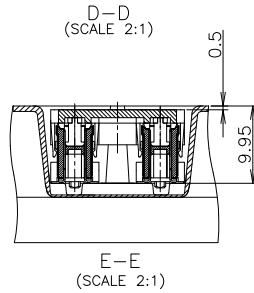
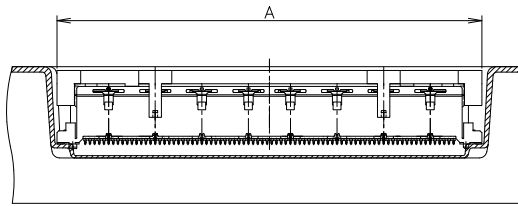
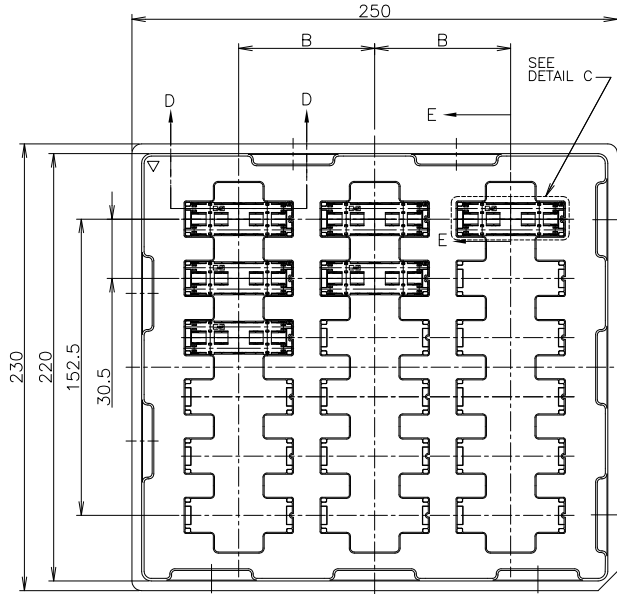
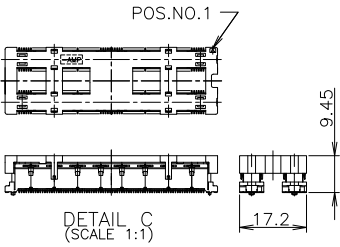
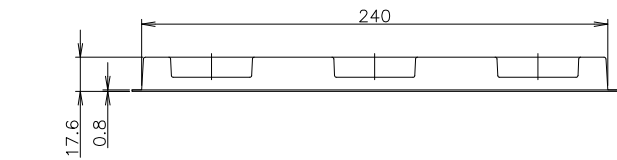
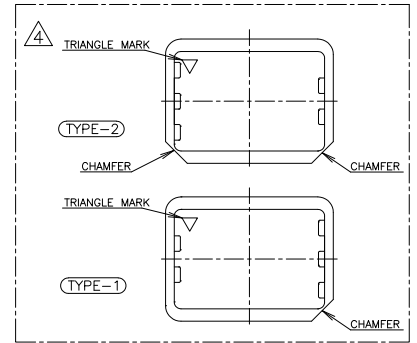


THIS DRAWING IS UNPUBLISHED. RELEASED FOR PUBLICATION NOV. 1998.
 © COPYRIGHT 1998 BY TYCO ELECTRONICS CORPORATION. ALL RIGHTS RESERVED.

| LOC | DIST | REVISIONS | | |
|-----|------|---------------|---------|-----|
| J | | REVISED | DATE | DWN |
| | | ECR-08-000339 | 01FEB08 | T.T |



△ TRAY TYPE-1 AND TYPE-2 MUST BE PILED UP BY TURNS. (REFER TO PACKING SPECIFICATIONS)



| SEALANT | TOOLING STATUS | ROW | QTY | B | | A | | POS. | TRAY P/N | PART NO. |
|---------------|----------------|-----|-----|----|------|-----|------------|-------------|----------|----------|
| | | | | B | A | B | A | | | |
| AVAILABLE | | 3 | 18 | 70 | 54.7 | 320 | 6-912069-9 | 6-6318154-1 | | |
| NOT AVAILABLE | | | | | 48.7 | 280 | 6-912069-8 | 6-6318154-1 | | |
| NOT AVAILABLE | | | | | 42.7 | 240 | 6-912069-7 | 6-6318154-1 | | |
| NOT AVAILABLE | | 3 | 18 | 70 | 36.7 | 200 | 6-912069-6 | 6-6318154-1 | | |
| NOT AVAILABLE | | | | | 48.7 | 280 | 6-912069-8 | 6-6318154-1 | | |
| NOT AVAILABLE | | | | | 42.7 | 240 | 6-912069-7 | 6-6318154-1 | | |
| NOT AVAILABLE | | 3 | 18 | 70 | 36.7 | 200 | 6-912069-6 | 6-6318154-8 | | |

THIS DRAWING IS A CONTROLLED DOCUMENT.

| | | | | | |
|--|---|---|------------------|--|---------------|
| DIMENSIONS: 單位: 毫米 | TOLERANCES UNLESS OTHERWISE SPECIFIED: 一般公差 | DWN: HAWKING HE | 13DEC04 | Tyco Electronics Corporation Kawasaki, Japan | |
| 0 PLC ± | 1 PLC ± | CHK: STEVEN YAO | 13DEC04 | | |
| 2 PLC ± | 3 PLC ± | APVD: IENOMOTO | 13DEC04 | | |
| 4 PLC ± | ANGLES ± | NAME: 名称 | | | |
| MATERIAL 材料 | FINISH 仕上 | PRODUCT SPEC 108-60047 APPLICATION SPEC 取付適用規格 114-5255 | | SOFT TRAY ASSY FH 0.6BTB CONNECTOR PLUG 8H W/G-PLATE 2ROW TYPE | |
| GENERAL TOLERANCE 一般公差 | | SIZE: A3 | CAGE CODE: 00779 | DRAWING NO: 6318154 | RESTRICTED TO |
| 10 ≥ ±0.2 30 ≥ >10: ±0.25 100 ≥ >30: ±0.3 ANGLES: ±3° | | CUSTOMER DRAWING | | SCALE: 1:2 | SHEET: 1 of 6 |

4

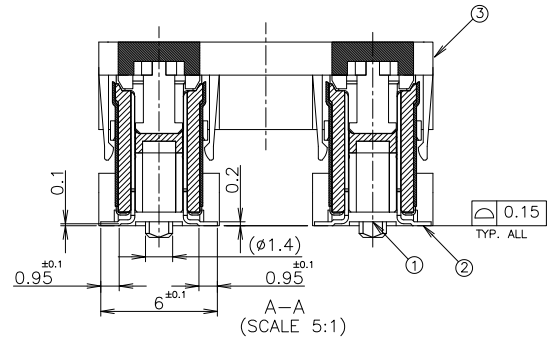
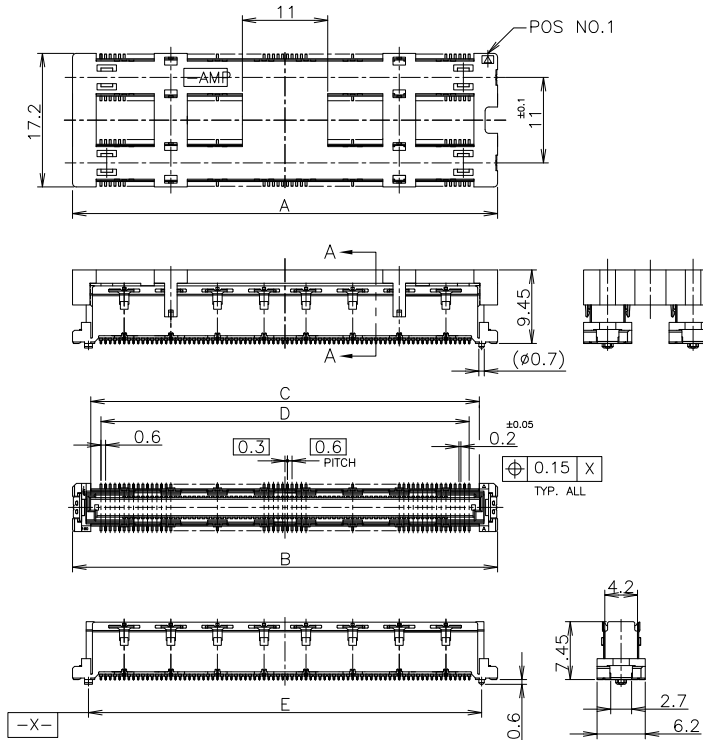
3

2

1

THIS DRAWING IS UNPUBLISHED. RELEASED FOR PUBLICATION NOV. 1998.
 © COPYRIGHT 1998 BY TYCO ELECTRONICS CORPORATION. ALL RIGHTS RESERVED.

| LOC | DIST | REVISIONS | | | | | |
|-----|------|-----------|-----|-------------|------|-----|------|
| J | | P | LTR | DESCRIPTION | DATE | DWN | APVD |
| | | - | - | SEE SHEET 1 | - | - | - |



- △ MATERIAL ; ① HOUSING : HIGH TEMP THERMO PLASTIC UL94V-0 (COLOR : NATURAL)
- ② CONTACT : COPPER ALLOY
- ③ CAP HOUSING : HIGH TEMP THERMO PLASTIC UL94V-0 (COLOR : BLACK)
- △ FINISH ; UNDER PL Ni 0.0013mm MIN ALL OVER. CONTACT AREA 0.0002 MIN Au PL. SOLDERING AREA 0.001 MIN TIN PL.
- △ ▮ THIS POSITION IS GROUND CIRCUIT.

| | | | | | | | | | |
|----------------|------|------|------|----|------|------|-----|-----|-----------|
| AVAILABLE | 51.8 | 50.6 | 47.4 | 50 | 54.7 | 54.7 | 320 | 1- | -1 |
| NOT AVAILABLE | 45.8 | 44.6 | 41.4 | 44 | 48.7 | 48.7 | 280 | 1- | -0 |
| NOT AVAILABLE | 39.8 | 38.6 | 35.4 | 38 | 42.7 | 42.7 | 240 | | -9 |
| NOT AVAILABLE | 33.8 | 32.6 | 29.4 | 32 | 36.7 | 36.7 | 200 | | 1318156-8 |
| TOOLING STATUS | F | E | D | C | B | A | POS | CAP | P/N |

GENERAL TOLERANCE
 一般公差
 10 ≥ ±0.2
 30 ≥ >10: ±0.25
 100 ≥ >30: ±0.3
 ANGLES: ±3°

THIS DRAWING IS A CONTROLLED DOCUMENT.

| | | | | | | | | | | | | | |
|----------------------------|---|---------|---------|---------|------------|-----------|---|----------------------------|--|------|--------------------|------------------|---------------|
| DIMENSIONS: 単位: 概 mm | TOLERANCES UNLESS OTHERWISE SPECIFIED: 一般公差 | DWN | CHK | APVD | NAME 名称 | | | | | | | | |
| 0 PLC ± | 1 PLC ± | 2 PLC ± | 3 PLC ± | 4 PLC ± | ANGLES ± | FINISH 仕上 | PRODUCT SPEC 製品規格 | APPLICATION SPEC 取付適用規格 | WEIGHT | SIZE | CAGE CODE | DRAWING NO 番号 | RESTRICTED TO |
| MATERIAL 材料 | | | | | | | Tyco Electronics Corporation Kawasaki, Japan | | SOFT TRAY ASSY FH 0.6BTB CONNECTOR PLUG 8H W/G-PLATE 2ROW TYPE | | A3 00779 C-6318154 | | REVISIONS |
| CUSTOMER DRAWING | | | | | | | SCALE 尺度 | 2:1 | SHEET 張 | 2 | OF 6 | REV A | |

4

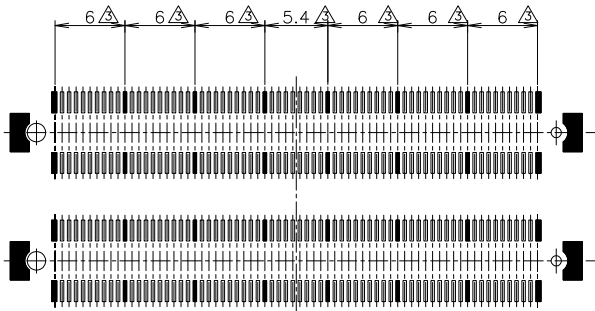
3

2

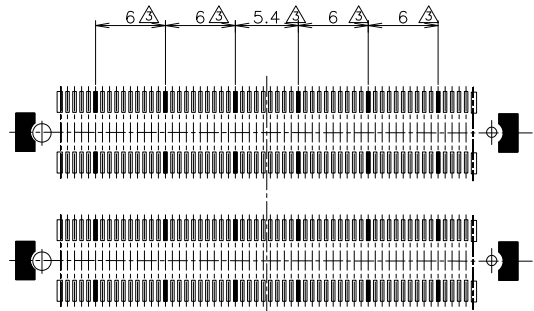
1

THIS DRAWING IS UNPUBLISHED. RELEASED FOR PUBLICATION NOV. 1998.
 © COPYRIGHT 1998 BY TYCO ELECTRONICS CORPORATION. ALL RIGHTS RESERVED.

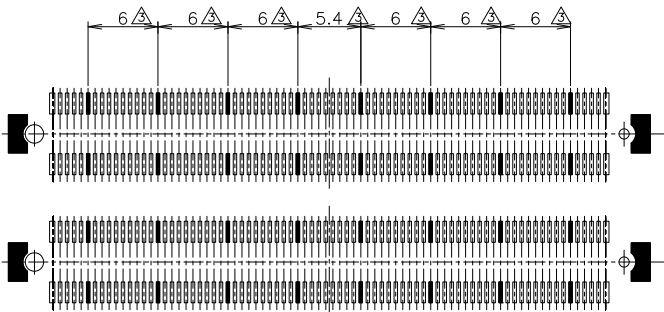
| LOC | | DIST | | REVISIONS | | | |
|-------------|-----|-------------|--|-----------|-----|------|--|
| P | LTR | DESCRIPTION | | DATE | DWN | APVD | |
| J | | | | | | | |
| SEE SHEET 1 | | | | | | | |



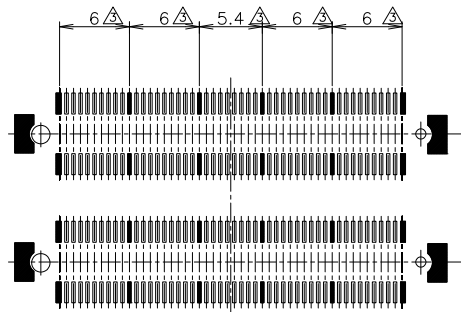
280P



240P



320P



200P

GENERAL TOLERANCE
 一般公差
 10 ≥ ±0.2
 30 ≥ >10: ±0.25
 100 ≥ >30: ±0.3
 ANGLES: ±3°

THIS DRAWING IS A CONTROLLED DOCUMENT.

| | |
|----------------------------|---|
| DIMENSIONS: 単位: 概 mm | TOLERANCES UNLESS OTHERWISE SPECIFIED: 一般公差 |
| 0 PLC ± - | |
| 1 PLC ± - | |
| 2 PLC ± - | |
| 3 PLC ± - | |
| 4 PLC ± - | |
| ANGLES ± - | |
| MATERIAL 材料 | FINISH 仕上 |

| | |
|------------------|--------------|
| DWN | CHK |
| APVD | PRODUCT SPEC |
| APPLICATION SPEC | WEIGHT |
| CUSTOMER DRAWING | |

Tyco Electronics Tyco Electronics Corporation
Kawasaki, Japan

NAME 名称: SOFT TRAY ASSY
FH 0.6BTB CONNECTOR
PLUG 8H W/G-PLATE 2ROW TYPE

SIZE: A3 CAGE CODE: 00779 DRAWING NO. 番号: 6318154 RESTRICTED TO

SCALE 尺度: 3:1 SHEET 4 OF 6 REV A

4

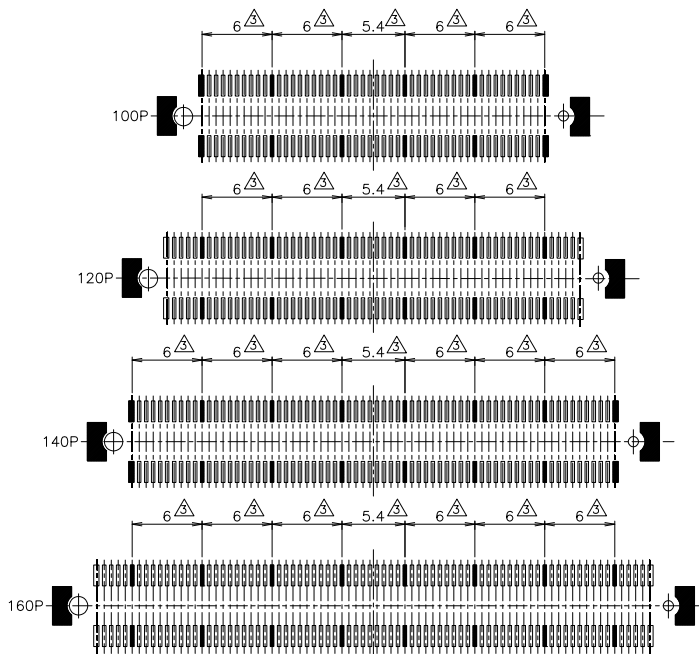
3

2

1

THIS DRAWING IS UNPUBLISHED. RELEASED FOR PUBLICATION NOV. 1998.
 © COPYRIGHT 1998 BY TYCO ELECTRONICS CORPORATION. ALL RIGHTS RESERVED.

| LOC | | DIST | | REVISIONS | | | | |
|-----|-----|-------------|--|-----------|-----|------|-----|------|
| J | | | | 変更 | | DATE | DWN | APVD |
| P | LTR | DESCRIPTION | | DATE | DWN | APVD | | |
| - | - | SEE SHEET 1 | | - | - | - | | |



THIS DRAWING IS A CONTROLLED DOCUMENT.

GENERAL TOLERANCE
 一般公差
 10 ≥ ±0.2
 30 ≥ >10: ±0.25
 100 ≥ >30: ±0.3
 ANGLES: ±3°

| | |
|----------------------------|---|
| DIMENSIONS: 単位: 概 mm | TOLERANCES UNLESS OTHERWISE SPECIFIED: 一般公差 |
| | 0 PLC ± - |
| | 1 PLC ± - |
| | 2 PLC ± - |
| | 3 PLC ± - |
| | 4 PLC ± - |
| MATERIAL 材料 | FINISH 仕上 |
| | |

| | | |
|----------------------|----------------------------|--------|
| DWN | CHK | APVD |
| PRODUCT SPEC 製品規格 | APPLICATION SPEC 取付適用規格 | WEIGHT |
| CUSTOMER DRAWING | | |

| | | | |
|--|-----------|---|-----------------|
| Tyco Electronics | | Tyco Electronics Corporation Kawasaki, Japan | |
| NAME 名称 | | | |
| SOFT TRAY ASSY FH 0.6BTB CONNECTOR PLUG 8H W/G-PLATE 2ROW TYPE | | | |
| SIZE | CAGE CODE | DRAWING NO 番号 | RESTRICTED TO |
| A3 | 00779 | 6318154 | |
| SCALE 尺度 | | 3:1 | SHEET 6 OF 6 |
| REV | | A | |