

4

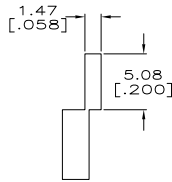
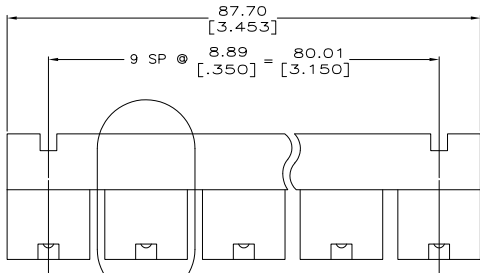
3

2

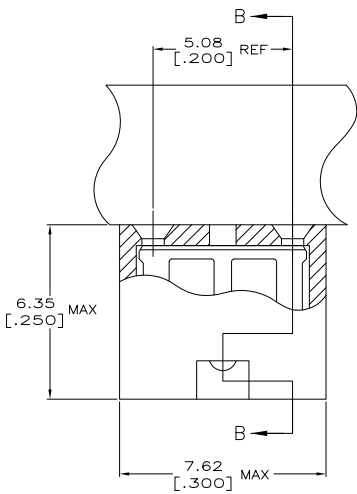
1

THIS DRAWING IS UNPUBLISHED. RELEASED FOR PUBLICATION. ALL RIGHTS RESERVED.

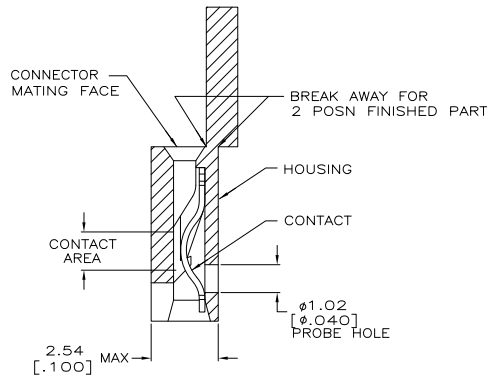
LOC	DIST	REVISIONS		
P	LR	DESCRIPTION	DATE	BY
AG	00			
F2		REVISED PER ECO-11-004820	11MAR11	RK HMR



SEE DETAIL A



DETAIL A SCALE 10:1



SECTION B-B SCALE 10:1

- △ MATERIAL:  
HOUSING: GLASS-FILLED POLYESTER, COLOR-BLACK.  
CONTACT: BERYLLIUM COPPER.
- △ CONTACT PLATED WITH 0.00254 [.000100] TIN-LEAD OVER ALL.
- △ CONTACT PLATED WITH 0.00038 [.000015] GOLD IN CONTACT AREA OVER 0.00127 [.000050] NICKEL OVER ALL.
- △ CONTACT PLATED WITH 0.00076 [.000030] GOLD IN CONTACT AREA OVER 0.00127 [.000050] NICKEL OVER ALL.
- △ PART NO. DENOTES INDIVIDUAL TWO POSITION SHUNT, WHICH IS PACKAGED ON BREAKAWAY COMBS OF TEN SHUNTS.
- 6. CONNECTOR MATES WITH WIRE WRAP POSTS, 0.64 [.025] SQUARE OR ROUND AND 0.56 [.022] X 0.66 [.026] POSTS. LENGTH 5.08 [.200] MINIMUM.
- △ CONTACT PLATED WITH 0.00254 [.000100] MATTE TIN OVER ALL.
- △ PART NO. DENOTES INDIVIDUAL TWO POSITION SHUNT, WHICH IS PACKAGED LOOSE PIECE.
- △ PRELIMINARY P/N - NOT RELEASED FOR PRODUCTION

OBSOLETE	△	△	△	531230-5	△
				531230-4	△
				531230-3	△
				531230-2	△
				531230-1	△
				FINISH	PART NUMBER

THIS DRAWING IS A CONTROLLED DOCUMENT.		DN	3-12-91
DIMENSIONS:		DR	R. VALLEY
mm [INCHES]		CHK	-
0 PLG ±		NAME	TE Connectivity
1 PLG ±		PRODUCT SPEC	108-9057
2 PLG ±		APPLICATION SPEC	114-1059
3 PLG ± 0.26 [0.010]		SIZE	A2
4 PLG ±		CAGE CODE	00779
ANGLES ±		DRAWING NO	C=531230
FINISH		RESTRICTED TO	-
SEE TABLE		CUSTOMER DRAWING	SCALE 4:1 SHEET 1 of 1 REV F2