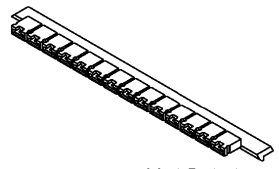
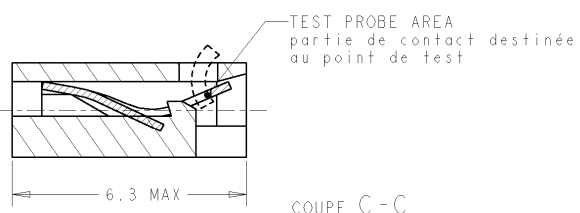
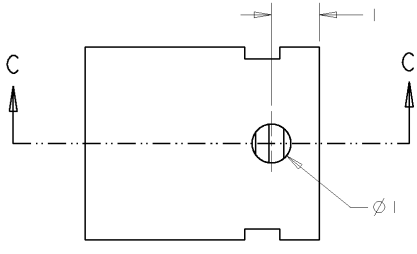
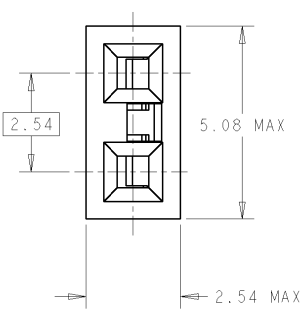
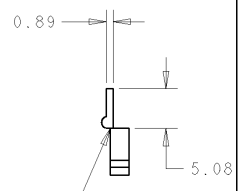
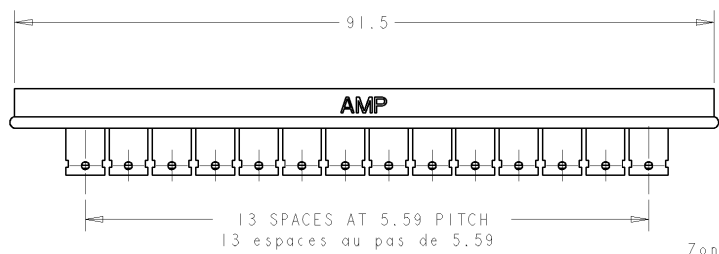


THIS DRAWING IS UNPUBLISHED. DIFFUSION RESTREINTE		RELEASED FOR PUBLICATION LIBRE A LA DIFFUSION		20		LOC	DIST	REVISIONS					
© COPYRIGHT - BY -		ALL RIGHTS RESERVED. TOUS DROITS RESERVEZ				F	00	P	LTR REV	DESCRIPTION MODIFICATIONS	DATE	DWN DESG	APVD APP
								C1	REVISED PER ECO-11-005150		03MAY11	RK	HMR



SCALE 1:1

COUPE C-C
Section C-C



BREAK AREA
Zone de séparation

NOTES :
1- MATÉS WITH 0.62X0.62 PINS à utiliser avec bornes de 0.62X0.62mm
2- MATERIAL:
HOUSING : GLASS-FILLED PBT, PBT chargé verre UL 94V0
CONTACT : BERYLLIUM COPPER -CuBe
FINISH : SEE TABLE - voir table

GOLD PLATED doré, 1 micron	GREY gris	142270-7
GOLD PLATED, CONTACT AREA doré zone de contact, 1 micron	GREEN vert	142270-5
TIN PLATED, LEAD FREE étamé la 3 microns	BLACK noir	142270-3
GOLD PLATED, CONTACT AREA doré zone de contact 0.4 microns	GREEN vert	142270-1
CONTACT FINITION	HOUSING COLOR CODE	PART NUMBER SHUNT ASS'Y

DIMENSIONS: mm		TOLERANCES UNLESS OTHERWISE SPECIFIED: (UNLESS NOTED OTHERWISE): 0. PLC/DEC: ±0.3 1. PLC/DEC: ±0.3 2. PLC/DEC: ± 3. PLC/DEC: ± 4. PLC/DEC: ± ANGLES: ±3		DWN/DESSINE 02DEC2003 JJ. DESPRETZ CHK/VERIFIE Y-PETRONIN APVD/APPROUVE Y-PETRONIN PRODUCT SPEC SPEC. PRODUIT APPLICATION SPEC SPEC. APPLICATION WEIGHT MASSE APPROX. -				SHUNT CONTACT ASS'Y PITCH 2.54 mm		RESTRICTED TO RESERVE A	
MATERIAL MATIERE SEE NOTE		FINISH/FINITION CONTACT SEE TABLE		SIZE FORMAT A3 CAGE CODE 00779 DRAWING NO. PLAN C-142270		CUSTOMER DRAWING /PLAN CLIENT		UNIFORMEMENT POUR REFERENCE		SCALE/ECHELLE 0:1	
						SHEET FEUILLE		OF DE		REV C1	