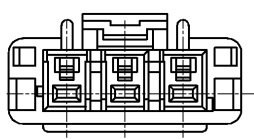
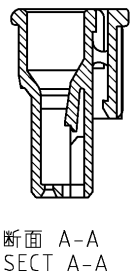
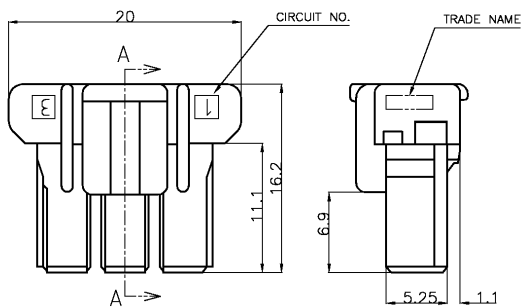
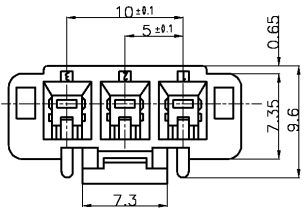


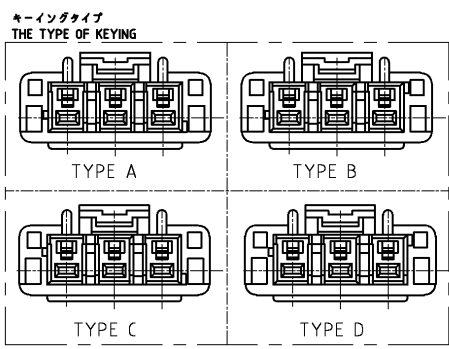
THIS DRAWING IS UNPUBLISHED. RELEASED FOR PUBLICATION
 COPYRIGHT BY TYCO ELECTRONICS CORPORATION. ALL RIGHTS RESERVED.

LOC	DIST	REVISIONS					
J	-	P	LTR	DESCRIPTION	DATE	DWN	APVD
		O		RELEASED FJ00-1509-00	28AUG'00	A.O	Y.K
		A		REVISED FJDO-0326-04	27SEP'04	A.O	N.Y
		B		REVISED ECR-08-025045	08OCT'08	J.S	S.M



注)
 1. かん合相手製品型番
 ヘッダー: TABLE参照のこと
 リセコンタクト: 1376347-1, 1376348-1
 2. 通称プレート型番: 1376395-1

NOTES)
 1. MATING CONN. P/N
 HEADER ASS'Y SEE TABLE
 REC CONTACT :1376347-1,1376348-1
 2. APPLICABLE PLATE P/N :1376395-1



ハウジング (HOUSING)	6/6ナイロングラス強化 (6/6 NYLON GLASS FILLED)
名称 (NAME)	材料 (MATERIAL)

Part No.	Keying Type	Color	Pos	Part No.
3-1376421-4	TYPE D	黄色	3Pos	3-1376389-4
3-1376383-4		YELLOW		
2-1376421-3	TYPE C	青色	3Pos	2-1376389-3
2-1376383-3		BLUE		
1-1376421-2	TYPE B	赤色	3Pos	1-1376389-2
1-1376383-2		RED		
1376421-1	TYPE A	自然色	3Pos	1376389-1
1376383-1		NATURAL		

かん合相手 (ヘッダー) P/N MATING CONN. P/N
 キーイングタイプ THE TYPE OF KEYING
 色 Color
 極数 Pos
 型番 PART NO.

THIS DRAWING IS A CONTROLLED DOCUMENT.

DIMENSIONS: 単位: 精 (mm)	TOLERANCES UNLESS OTHERWISE SPECIFIED: 一般公差	DWN: A.OISHI 31AUG00	Tyco Electronics Kawasaki, Japan
0 PLC ±0.2	1 PLC ±0.2	CHK: Y.KASHIWA 28AUG'00	
2 PLC ±0.2	3 PLC ±	APVD: Y.KASHIWA 28AUG'00	5.0 POWER KEY CONNECTOR 3P PLUG HOUSING
4 PLC ±	ANGLES ±1'	NAME: 名称	
MATERIAL: 材料	FINISH: 仕上	PRODUCT SPEC: 製品規格 108-5699	SIZE: A3
SEE TABLE	SEE TABLE	APPLICATION SPEC: 動作運用規格 114-5292	
		WEIGHT: -	CAGE CODE: 00779
		DRAWING NO: 1376389	
		CUSTOMER DRAWING	
		SCALE: 尺度 3:1	SHEET: 1 of 1
		REV: B	