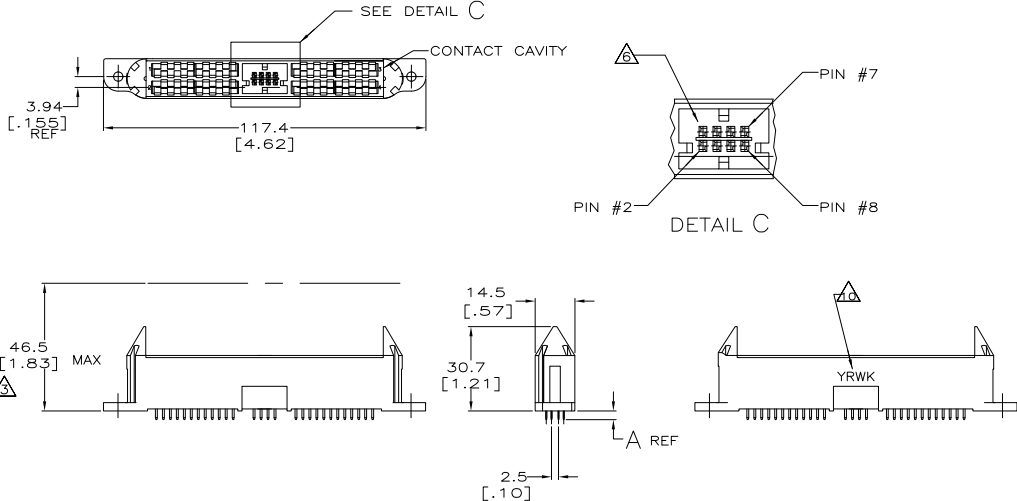
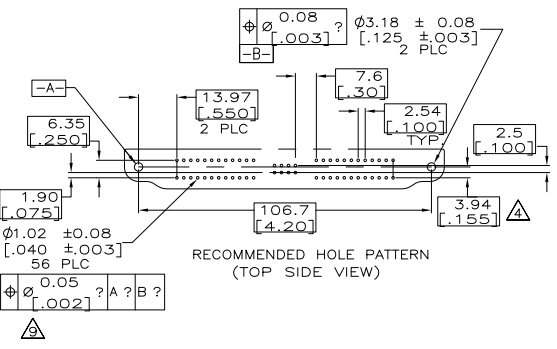
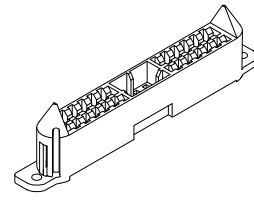


THIS DRAWING IS UNPUBLISHED. RELEASED FOR PUBLICATION
 AMPPOWER and ACTION PIN are registered trademarks of AMP Incorporated.
 © COPYRIGHT BY TYCO ELECTRONICS CORPORATION. ALL INTERNATIONAL RIGHTS RESERVED.

LOC	DIST	REVISIONS					
GP	00	P	LTR	DESCRIPTION	DATE	BY	APPD
		U		REV PER ECO-10-021237	19JAN2011	RG	MS



- ⚠ POWER CONTACTS—SILVER. SENSE CONTACTS—GOLD ON MATING END.
- 2 MOUNTING HARDWARE, 2 #4-40 SCREWS AND NUTS OR 2 EYELETS (P/N 748572-2 REQUIRED. HEIGHT OF MATED ASSEMBLY.
- ⚠ MOUNTING HOLES OFFSET FROM PART CL BY .76 [.030]. WITH ACTION PIN TAILS.
- ⚠ POSITION #1 SIGNAL LINE 1.3 [.05] SHORTER FOR SEQUENTIAL MATING CAPABILITY.
- ⚠ HOLE DIAMETER AFTER PLATING.
- ⚠ ADD 2-DIGIT YEAR AND 2-DIGIT WEEK CODE IN WHITE INDELIBLE INK, .13" CHARACTER HEIGHT APPROX AS SHOWN (NOTE CONDUCTOR 1&3 SIDE OF HOUSING).



OBSOLETE	⚠	7.52 [.296]	6.35 [.250] THK PCB	1	765249-0
OBSOLETE	⚠	5.74 [.226]	4.75 [.187] THK PCB		765249-9
OBSOLETE	⚠	3.96 [.156]	3.18 [.125] THK PCB		765249-8
OBSOLETE	⚠	3.10 [.122]	1.57-2.36 [.062-.093] THK PCB		765249-7
OBSOLETE	⚠	---	2.36 [.093] AND THICKER PCB'S		765249-6
	⚠	---	2.36 [.093] AND THICKER PCB'S		765249-5
	⚠	7.52 [.296]	6.35 [.250] THK PCB		765249-4
OBSOLETE	⚠	5.74 [.226]	4.75 [.187] THK PCB		765249-3
	⚠	3.96 [.156]	3.18 [.125] THK PCB		765249-2
OBSOLETE	⚠	3.10 [.122]	1.57-2.36 [.062-.093] THK PCB		765249-1

THIS DRAWING IS A CONTROLLED DOCUMENT. DIM: D. BAROW 02-08-91
 OK: 02-08-91
 U.S.S. NAME: Tyco Electronics Corporation, Harrisburg, PA 17105-3608

DIMENSIONS: INCHES. TOLERANCES UNLESS OTHERWISE SPECIFIED.

0 PLC	±	
1 PLC	±	
2 PLC	±	0.25 [010]
3 PLC	±	0.13 [005]
4 PLC	±	
ANGLES	±	

MATERIAL: PHENOLIC, 100-0 POLYESTER, HIGH TEMP. CONTACTS: COPPER ALLOY. FINISH: SEE NOTE 1.

PRODUCT SPEC: 108-1319
 APPLICATION SPEC: 114-49005
 HEIGHT: -

SIZE: A2
 CASE CODE (DRAWING NO): 00779
 C=765249

CUSTOMER DRAWING. SCALE: 1:1. SHEET: 1 of 1. REV: U.

CUSTOMER DRAWING