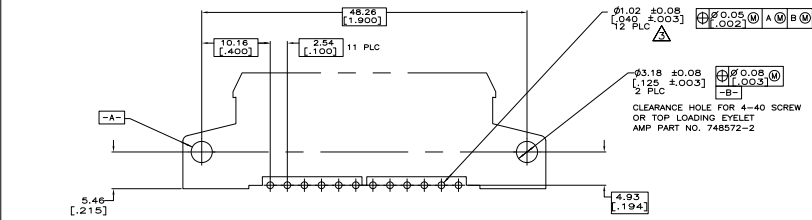
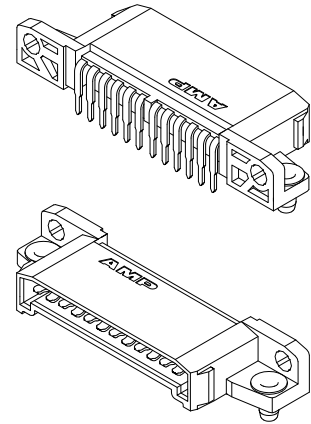
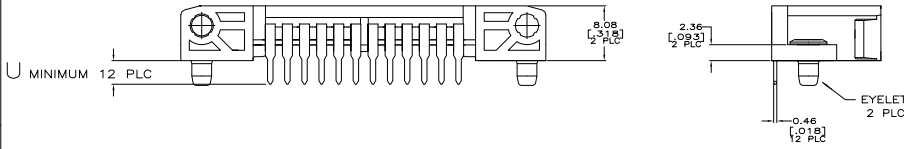
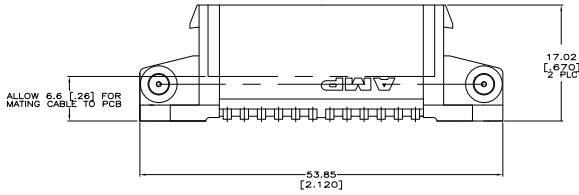


THIS DRAWING IS UNPUBLISHED. RELEASED FOR PUBLICATION. ALL RIGHTS RESERVED. BY TYCO ELECTRONICS CORPORATION. INCORPORATED.

LOC	DIST	REV	DATE	BY	APP
GP	00	N	19JAN2011	RG	MS

- 3 HOLE DIAMETER AFTER PLATING.
 4 PRODUCT AND PROCESSING MUST MEET REQUIREMENTS OF TYCO ELECTRONICS STANDARD 230-702.



RECOMMENDED PC BOARD LAYOUT
 2.54 [0.100] CENTERLINES

MATERIAL:	HOUSING: POLYESTER
	POLYESTER - HIGH TEMP
	CONTACT: COPPER ALLOY
	FINISH: SILVER OVER NICKEL ALL OVER

DESCRIPTION	MIN	MAX	TYCO P/N
EYELETS	5.72 [0.225]	4.75 [0.187]	2-765204-2
	4.19 [0.165]	3.17 [0.125]	2-765204-1
	3.15 [0.124]	1.57 [0.062] TO 2.36 [0.093]	2-765204-0
	5.72 [0.225]	4.75 [0.187]	1-765204-9
	4.19 [0.165]	3.17 [0.125]	1-765204-8
	3.15 [0.124]	1.57 [0.062] TO 2.36 [0.093]	1-765204-7
OBSOLETE	5.72 [0.225]	4.75 [0.187]	1-765204-6
OBSOLETE	7.49 [0.295]	6.35 [0.250]	1-765204-5
	4.19 [0.165]	3.17 [0.125]	1-765204-4
	4.19 [0.165]	3.17 [0.125]	1-765204-3
	3.15 [0.124]	1.57 [0.062] TO 2.36 [0.093]	1-765204-2
	5.72 [0.225]	4.75 [0.187]	1-765204-1
	7.49 [0.295]	6.35 [0.250]	1-765204-0
	4.19 [0.165]	3.17 [0.125]	1-765204-9
	5.72 [0.225]	4.75 [0.187]	1-765204-8
	7.49 [0.295]	6.35 [0.250]	1-765204-7
	4.19 [0.165]	3.17 [0.125]	1-765204-6
	3.15 [0.124]	1.57 [0.062] TO 2.36 [0.093]	1-765204-5
	5.72 [0.225]	4.75 [0.187]	1-765204-4
	7.49 [0.295]	6.35 [0.250]	1-765204-3
	4.19 [0.165]	3.17 [0.125]	1-765204-2
	3.15 [0.124]	1.57 [0.062] TO 2.36 [0.093]	1-765204-1

THIS DRAWING IS A CONTROLLED DOCUMENT.		DATE: 12-07-88	TYCO ELECTRONICS CORPORATION
DRAWN BY: J. DALY		DATE: 12-14-88	HARRISBURG, PA 17105-3608
DIMENSIONS: mm [INCHES]		PRODUCT SPEC: 108-1308	AMPOWER Wave Crimp System
TOLERANCES UNLESS OTHERWISE SPECIFIED:		APPLICATION SPEC: 114-49005	HORIZONTAL HEADER ASSEMBLY
0 PLC ± .01	1 PLC ± .02	SIZE: A2	2.54 [0.100] CENTER LINES
2 PLC ± .025 [0.01]	3 PLC ± .013 [0.005]	SCALE: N.T.S.	RESTRICTED TO: -
4 PLC ± .008	ANGLES ± .005	SEE NOTE: A200779	C=765204
MATERIAL: SEE NOTE	FINISH: SEE NOTE	CUSTOMER DRAWING	SCALE: N.T.S. SHEET 1 of 1 REV N

AMP 1471-9 REV 31MM2000

765204

A