

4

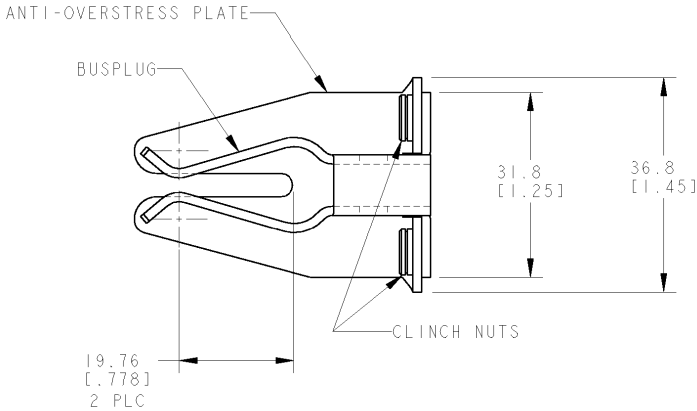
3

2

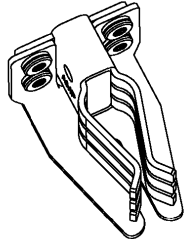
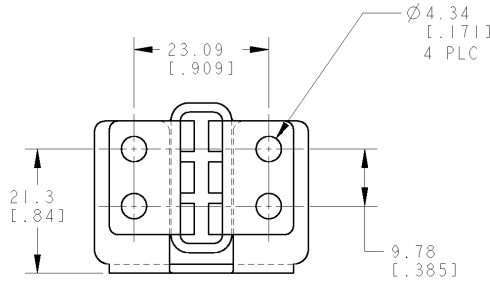
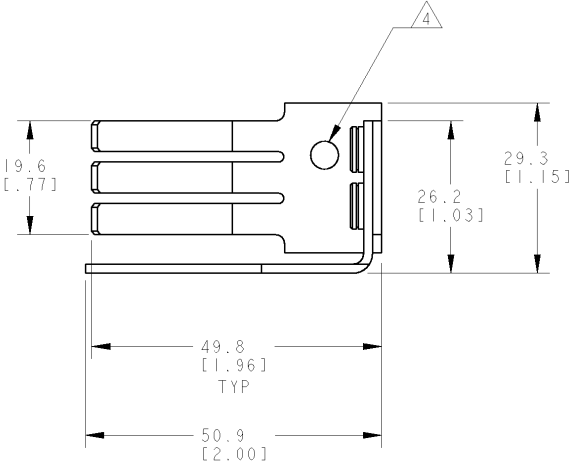
1

THIS DRAWING IS UNPUBLISHED. RELEASED FOR PUBLICATION 23MAR2001
 © COPYRIGHT 23MAR2001 BY TYCO ELECTRONICS CORPORATION. ALL RIGHTS RESERVED.

LOC	DIST	REVISIONS			
P	LTR	DESCRIPTION	DATE	DWN	APVD
		0	RELEASE PER NPR	23MAR2001	JM JW



- 1 ANTI-OVERTRESS PLATE & CLINCH NUTS: STAINLESS STEEL. BUSPLUG: COPPER ALLOY.
- 2 BUSPLUG: 6.35 MICROMETERS [.000250] MIN SILVER OVER 1.27 MICROMETERS [.000050] MIN NICKEL.
- 3. ALL DIMENSIONS ARE REFERENCE DIMENSIONS ONLY.
- 4 PART MAY HAVE HOLE IN THIS LOCATION, ON BOTH SIDES.



SCALE 1:1

1367369-1
PART NUMBER

<small>THIS DRAWING IS A CONTROLLED DOCUMENT FOR TYCO ELECTRONICS CORPORATION. IT IS SUBJECT TO CHANGE AND THE CONTROLLING ENGINEERING ORGANIZATION SHOULD BE CONTACTED FOR THE LATEST REVISION.</small>		DWN 26 JAN 2001 CHK J. J. MILLER J. WESTMAN APVD J. WESTMAN NAME WESTMAN	Tyco Electronics Harrisburg, PA 17105-3608
DIMENSIONS: mm [INCH]	TOLERANCES UNLESS OTHERWISE SPECIFIED: 0 PLC ± 1 PLC ± 2 PLC ±0.02 3 PLC ±0.005 4 PLC ± ANGLES ±	PRODUCT SPEC 108-1101 APPLICATION SPEC 114-02111 WEIGHT -	ASSEMBLY, CONNECTOR, SELF CLINCHING NUTS AND ANTI-OVERTRESS PLATE
MATERIAL 1	FINISH 2	SIZE A3 CAGE CODE 00779 DRAWING NO. C-1367369	RESTRICTED TO -
CUSTOMER DRAWING			SCALE 3:2 SHEET 1 OF 1 REV 0

AMP 1470-19 REV 31MAR2000

PRO/ENGINEER DRAWING