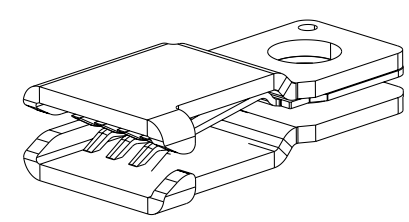
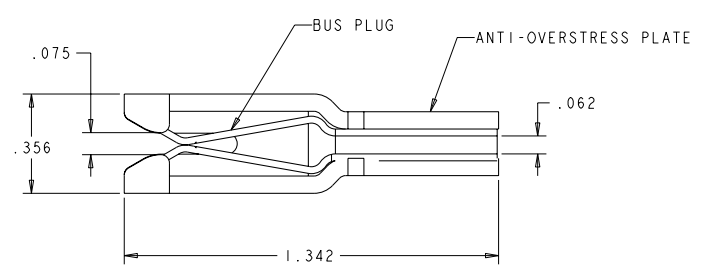
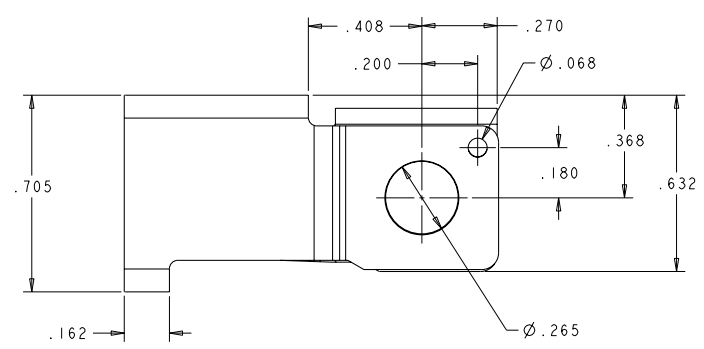


THIS DRAWING IS UNPUBLISHED. RELEASED FOR PUBLICATION. ALL RIGHTS RESERVED.

LOC		DIST		REVISIONS			
P	LYR	DESCRIPTION	DATE	BY	CHK	APPR	
GP	00	HI	REVISED PER ECO-11-005301	26APR2011	JK	HMR	

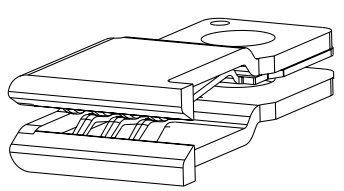
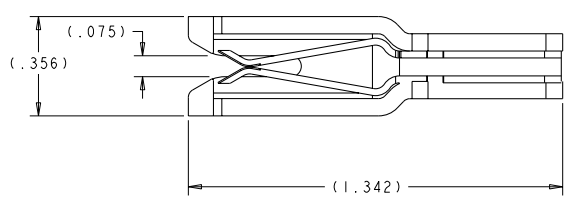
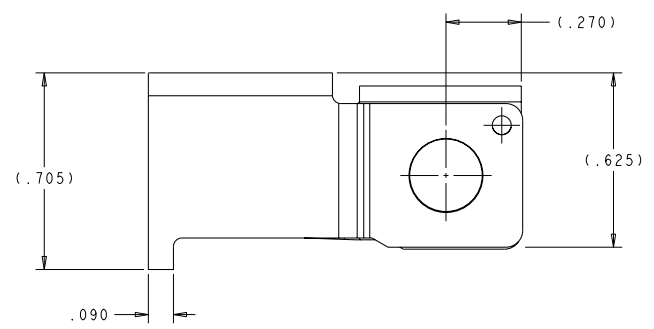


- COMPONENTS UNASSEMBLED IN A SEALED POLY BAG.
- MATERIAL:  
ANTI-OVERSTRESS PLATE - STAINLESS STEEL  
BUS PLUG - COPPER ALLOY
- FINISH:  
SILVER PLATE .000250 MIN THK. OVER  
NICKEL .000050 MIN THK.
- MATERIAL:  
ANTI-OVERSTRESS PLATE - PEI, 30% GLASS FILLED, UL94V-0  
BUS PLUG - COPPER ALLOY
- ITEMS PROVIDED TO THIS SPECIFICATION TO BE PERMANENTLY IDENTIFIED ON THE CONTAINER PER THE FOLLOWING IDENTIFIER LABEL:

TE CONNECTIVITY P/N: XXXXXXXX-X  
 DATE CODE (e.g. 0106): XXXX  
 YEAR: WEEK

THIS DRAWING IS A CONTROLLED DOCUMENT.		DATE: 08FEB2008	DESCRIPTION: 104742-1
DIMENSIONS: INCHES		DESIGNED BY: R. GRZYBOWSKI	PART NUMBER: 104742-1
TOLERANCES UNLESS OTHERWISE SPECIFIED:		APPROVED BY: A. ERANTU	TE Connectivity
0 PLC ±.010	1 PLC ±.005	DATE: 08FEB2008	AMP PDS .062F2
2 PLC ±.005	3 PLC ±.015	NAME: S. FLICKLINGER	SERIES W/ GUIDE
4 PLC ±.010	ANGLES ±.5°	APPLICATION SPEC:	RESTRICTED TO:
MATERIAL:	FINISH:	WEIGHT:	SHEET: A200779
		CUSTOMER DRAWING	CASE CODE: C=104742
			DRAWING NO: 104742
			SCALE: 4:1
			SHEET 1 OF 2
			REV: HI

REV	DATE	BY	APPROV	DESCRIPTION
00	-	-	-	SEE SHEET 1



THIS DRAWING IS A CONTROLLED DOCUMENT.		DATE: 08FEB2008	104742-2	
DIMENSIONS: INCHES		DESIGNED BY: R. GRZYBOWSKI	DESCRIPTION: PART NUMBER	
TOLERANCES UNLESS OTHERWISE SPECIFIED:		CHECKED BY: A. ERANTUM	TE Connectivity	
0 PLC ±.015	1 PLC ±.015	DATE: 08FEB2008	AMP PDS .062F2	
2 PLC ±.015	3 PLC ±.015	APPROVED BY: S. FLICKLINGER	SERIES W/ GUIDE	
4 PLC ±.015	ANGLES ±.015	PRODUCT SPEC:	RESTRICTED TO	
MATERIAL:	FINISH:	APPLICATION SPEC:	SHEET: A200779	CASE CODE: C=104742
WEIGHT:		CUSTOMER DRAWING	DRAWING NO: C=104742	SCALE: 4:1
REVISIONS:		SHEET 2 OF 2		REV: H1