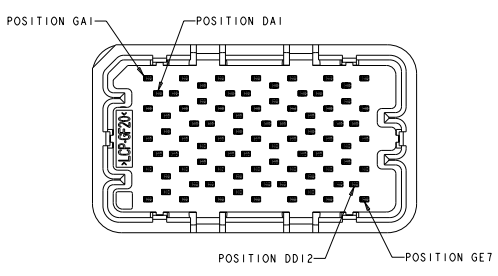
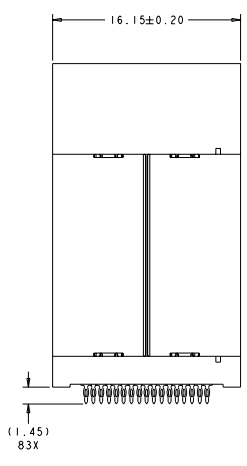
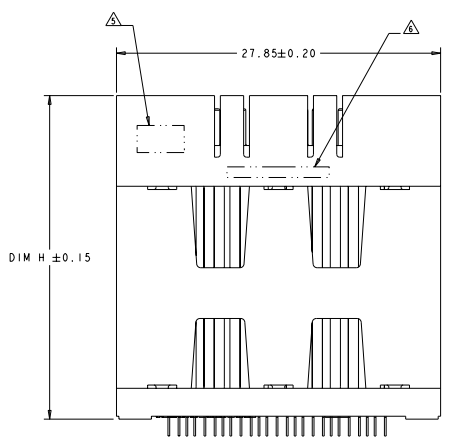


| REV | DATE | DESCRIPTION | BY | CHK | APP |
|-----|------|-------------|--------|-----|-----|
| 1 | 00 | PROPOSED | BLUNDA | REN | DT |
| 2 | | REVISED | INOCIO | BS | MM |



- △ MATERIAL:
 BASE HOUSING, UPPER HOUSING, ORGANIZER,
 AND SPACER: THERMOPLASTIC, FLAMMABILITY
 RATING UL94 V-0
 CONTACT: COPPER ALLOY
- 2. CONFORMS TO THE REQUIREMENTS OF TE PRODUCT
 SPECIFICATION 108-2375; BASED ON TELCORDIA
 GR-1217-CORE FOR SYSTEM QUALITY LEVEL III.
 APPLICATIONS IN CONTROLLED ENVIRONMENTS
 (CENTRAL OFFICE).
 SEE TE PRODUCT SPECIFICATION 108-2375 FOR
 TEST SEQUENCES.
- △ ROWS GA THRU GE (SHOWN DARKENED) ARE TYPICALLY
 USED AS GROUNDS.
- △ SPECIFIED POSITIONAL TOLERANCE DEFINES HOLE TO
 HOLE LOCATION WITHIN HOLE PATTERN. POSITIONAL
 TOLERANCE OF HOLE PATTERN TO FIDUCIAL MARKS
 OR PCB DATUMS SHALL BE DEFINED BY CUSTOMER.
- △ AREA RESERVED FOR TYCO ELECTRONICS LOGO.
- △ AREA RESERVED FOR PART NUMBER (X-XXXXXX-X)
 AND DATE CODE (YYWW).
- △ USE CENTERLINES INDICATED ON PCB HOLE PATTERN
 TO ESTABLISH ALIGNMENT BETWEEN HEADER AND
 RECEPTACLE BOARDS.



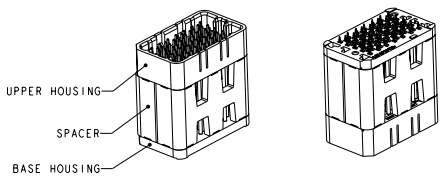
**SIZE 1 HALF WIDE *
 24 DIFFERENTIAL PAIRS ± GROUNDS
 83 TOTAL SIGNAL CONTACTS**

* SIZE 2 AND SIZE 3 ARE ALSO AVAILABLE

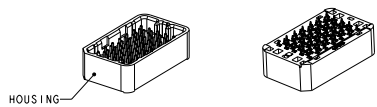
THIS PRODUCT HAS NOT
 COMPLETED VALIDATION AND
 QUALIFICATION TESTING

| | | | | | |
|-------------------------------------------------|--|---------------------------------------------|--|-------------------------------------------------------------------------|--|
| REVISED: 04 JUL 2015 BY: J1002 APP: J1002 | | 30 JUN 2015 04 JUL 2015 04 JUL 2015 | | Tyco Electronics Harrisburg, PA 17105-3600 | |
| PART: 108-2375 REV: 01 DATE: 01/01/01 | | PART: 108-2375 REV: 01 DATE: 01/01/01 | | HEADER ASSEMBLY, HALF WIDE, 24/83, STRADA MESA MEZANINE CONNECTOR | |
| MATERIAL: 116-13289 | | STATE: CA COUNTRY: US | | STATE CODE: 00779 COUNTRY CODE: 2143410 | |
| CUSTOMER DRAWING | | SHEET: 6:1 | | OF: 2 | |

| REV | DATE | DESCRIPTION | BY | CHK | APP |
|-----|------|-------------|----|-----|-----|
| 00 | | SEE SHEET 1 | | | |



ISOMETRIC VIEW
 TYPICAL CONFIGURATION FOR 14mm THRU 42mm
 28mm SHOWN
 SCALE 2:1



ISOMETRIC VIEWS
 TYPICAL CONFIGURATION FOR 8mm THRU 13mm
 8mm SHOWN
 SCALE 2:1

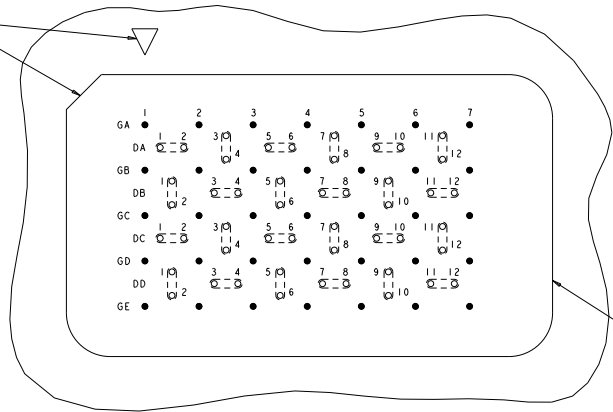
| NO | DIM H | STACK HEIGHT | MATERIAL | CONTACT TAIL PLATING | PART NUMBER |
|--------|-------|--------------|----------|----------------------|-------------|
| NO | 41.8 | 42mm | MATTE Sn | | 9-2143410-2 |
| NO | 40.8 | 41mm | MATTE Sn | | 9-2143410-1 |
| NO | 39.8 | 40mm | MATTE Sn | | 9-2143410-0 |
| NO | 38.8 | 39mm | MATTE Sn | | 8-2143410-9 |
| NO | 37.8 | 38mm | MATTE Sn | | 8-2143410-8 |
| NO | 36.8 | 37mm | MATTE Sn | | 8-2143410-7 |
| NO | 35.8 | 36mm | MATTE Sn | | 8-2143410-6 |
| NO | 34.8 | 35mm | MATTE Sn | | 8-2143410-5 |
| NO | 33.8 | 34mm | MATTE Sn | | 8-2143410-4 |
| NO | 32.8 | 33mm | MATTE Sn | | 8-2143410-3 |
| NO | 31.8 | 32mm | MATTE Sn | | 8-2143410-2 |
| NO | 30.8 | 31mm | MATTE Sn | | 8-2143410-1 |
| NO | 29.8 | 30mm | MATTE Sn | | 8-2143410-0 |
| NO | 28.8 | 29mm | MATTE Sn | | 7-2143410-9 |
| NO | 27.8 | 28mm | MATTE Sn | | 7-2143410-8 |
| NO | 26.8 | 27mm | MATTE Sn | | 7-2143410-7 |
| NO | 25.8 | 26mm | MATTE Sn | | 7-2143410-6 |
| NO | 24.8 | 25mm | MATTE Sn | | 7-2143410-5 |
| NO | 23.8 | 24mm | MATTE Sn | | 7-2143410-4 |
| NO | 22.8 | 23mm | MATTE Sn | | 7-2143410-3 |
| NO | 21.8 | 22mm | MATTE Sn | | 7-2143410-2 |
| NO | 20.8 | 21mm | MATTE Sn | | 7-2143410-1 |
| NO | 19.8 | 20mm | MATTE Sn | | 7-2143410-0 |
| NO | 18.8 | 19mm | MATTE Sn | | 6-2143410-9 |
| NO | 17.8 | 18mm | MATTE Sn | | 6-2143410-8 |
| NO | 16.8 | 17mm | MATTE Sn | | 6-2143410-7 |
| NO | 15.8 | 16mm | MATTE Sn | | 6-2143410-6 |
| NO | 14.8 | 15mm | MATTE Sn | | 6-2143410-5 |
| NO | 13.8 | 14mm | MATTE Sn | | 6-2143410-4 |
| NO | 12.8 | 13mm | MATTE Sn | | 6-2143410-3 |
| NO | 11.8 | 12mm | MATTE Sn | | 6-2143410-2 |
| NO | 10.8 | 11mm | MATTE Sn | | 6-2143410-1 |
| NO | 9.8 | 10mm | MATTE Sn | | 6-2143410-0 |
| NO | 8.8 | 9mm | MATTE Sn | | 5-2143410-9 |
| NO | 7.8 | 8mm | MATTE Sn | | 5-2143410-8 |
| TOOLED | DIM H | STACK HEIGHT | MATERIAL | CONTACT TAIL PLATING | PART NUMBER |

| NO | DIM H | STACK HEIGHT | MATERIAL | CONTACT TAIL PLATING | PART NUMBER |
|--------|-------|--------------|----------|----------------------|-------------|
| NO | 41.8 | 42mm | Sn/Pb | | 4-2143410-2 |
| NO | 40.8 | 41mm | Sn/Pb | | 4-2143410-1 |
| NO | 39.8 | 40mm | Sn/Pb | | 4-2143410-0 |
| NO | 38.8 | 39mm | Sn/Pb | | 3-2143410-9 |
| NO | 37.8 | 38mm | Sn/Pb | | 3-2143410-8 |
| NO | 36.8 | 37mm | Sn/Pb | | 3-2143410-7 |
| NO | 35.8 | 36mm | Sn/Pb | | 3-2143410-6 |
| NO | 34.8 | 35mm | Sn/Pb | | 3-2143410-5 |
| NO | 33.8 | 34mm | Sn/Pb | | 3-2143410-4 |
| NO | 32.8 | 33mm | Sn/Pb | | 3-2143410-3 |
| NO | 31.8 | 32mm | Sn/Pb | | 3-2143410-2 |
| NO | 30.8 | 31mm | Sn/Pb | | 3-2143410-1 |
| NO | 29.8 | 30mm | Sn/Pb | | 3-2143410-0 |
| NO | 28.8 | 29mm | Sn/Pb | | 2-2143410-9 |
| NO | 27.8 | 28mm | Sn/Pb | | 2-2143410-8 |
| NO | 26.8 | 27mm | Sn/Pb | | 2-2143410-7 |
| NO | 25.8 | 26mm | Sn/Pb | | 2-2143410-6 |
| NO | 24.8 | 25mm | Sn/Pb | | 2-2143410-5 |
| NO | 23.8 | 24mm | Sn/Pb | | 2-2143410-4 |
| NO | 22.8 | 23mm | Sn/Pb | | 2-2143410-3 |
| NO | 21.8 | 22mm | Sn/Pb | | 2-2143410-2 |
| NO | 20.8 | 21mm | Sn/Pb | | 2-2143410-1 |
| NO | 19.8 | 20mm | Sn/Pb | | 2-2143410-0 |
| NO | 18.8 | 19mm | Sn/Pb | | 1-2143410-9 |
| NO | 17.8 | 18mm | Sn/Pb | | 1-2143410-8 |
| NO | 16.8 | 17mm | Sn/Pb | | 1-2143410-7 |
| NO | 15.8 | 16mm | Sn/Pb | | 1-2143410-6 |
| NO | 14.8 | 15mm | Sn/Pb | | 1-2143410-5 |
| NO | 13.8 | 14mm | Sn/Pb | | 1-2143410-4 |
| NO | 12.8 | 13mm | Sn/Pb | | 1-2143410-3 |
| NO | 11.8 | 12mm | Sn/Pb | | 1-2143410-2 |
| NO | 10.8 | 11mm | Sn/Pb | | 1-2143410-1 |
| NO | 9.8 | 10mm | Sn/Pb | | 1-2143410-0 |
| NO | 8.8 | 9mm | Sn/Pb | | 1-2143410-9 |
| NO | 7.8 | 8mm | Sn/Pb | | 1-2143410-8 |
| TOOLED | DIM H | STACK HEIGHT | MATERIAL | CONTACT TAIL PLATING | PART NUMBER |

| | | | |
|-------------------------------------|-------------------------|----------------------------------|----------------|
| DATE: 04 JUL 2015 | TIME: 11:43:29 | FILE: 00779 | REV: 2 |
| DESIGNED BY: [Signature] | CHECKED BY: [Signature] | DATE: 04 JUL 2015 | TIME: 11:43:29 |
| CUSTOMER DRAWING | | STRADA MESA MECHANICAL CONNECTOR | 00779 |
| HEADLINE ASSEMBLY, HALF WIRE, 24POS | | 00779 | 2 |

| REVISOR | | REVISIONS | |
|---------|------|-------------|----|
| NO. | DATE | DESCRIPTION | BY |
| GP | 00 | SEE SHEET 1 | |
| | | | |
| | | | |

A1 CORNER INDICATORS.



PCB LAYOUT AND PIN IDENTIFICATION 
 SHOWN FROM CONNECTOR SIDE
 SCALE 9:1

| | | | | | |
|-------------------------------------------|--|--------------------------------------------|--|-------------------|--|
| DATE: 06 JUN 2018 | | DATE: 06 JUN 2018 | | DATE: 06 JUN 2018 | |
| DRAWN BY: J. J. JONES | | CHECKED BY: J. J. JONES | | DATE: 06 JUN 2018 | |
| PART NO: 100-2215 | | REV: 001 | | DATE: 06 JUN 2018 | |
| PROJECT: STRADA MESA MECHANICAL CONNECTOR | | CUSTOMER: STRADA MESA MECHANICAL CONNECTOR | | DATE: 06 JUN 2018 | |
| DRAWING NO: 100-2215-001 | | REV: 001 | | DATE: 06 JUN 2018 | |
| CUSTOMER DRAWING | | A 00779 | | 2143410 | |
| SHEET: 6 | | OF: 11 | | PAGE: 3 | |

