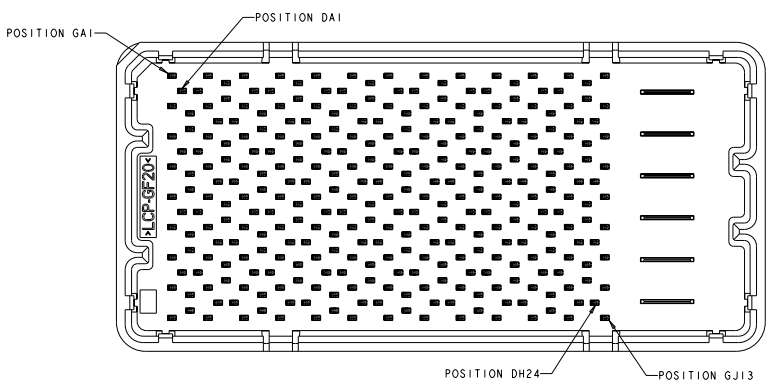


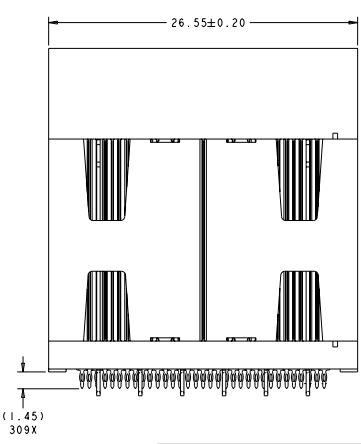
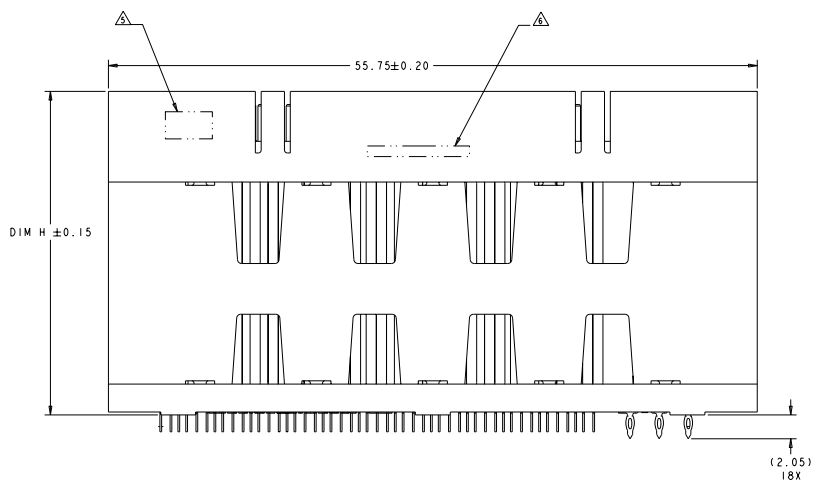
REV	DATE	DESCRIPTION	BY	CHK	APP
1	08 JUN 2009	PROPOSED	BLANCHARD	DRR	DT
2		REVISED	BLANCHARD	DRR	DT
3		REVISED	BLANCHARD	DRR	DT
4		REVISED	BLANCHARD	DRR	DT



- △ MATERIAL: BASE HOUSING, UPPER HOUSING, ORGANIZER, AND SPACER: THERMOPLASTIC, FLAMMABILITY RATING UL94-V0 CONTACT: COPPER ALLOY
- 2. CONFORMS TO THE REQUIREMENTS OF THE PRODUCT SPECIFICATION, 108-2375; BASED ON TELCORDIA GR-1217-CORE FOR SYSTEM QUALITY LEVEL III. APPLICATIONS IN CONTROLLED ENVIRONMENTS (CENTRAL OFFICE). SEE THE PRODUCT SPECIFICATION 108-2375 FOR TEST SEQUENCES.
- △ ROWS GA THRU GJ (SHOWN DARKENED) ARE TYPICALLY USED AS GROUNDS.
- △ SPECIFIED POSITIONAL TOLERANCE DEFINES HOLE TO HOLE LOCATION WITHIN HOLE PATTERN. POSITIONAL TOLERANCE OF HOLE PATTERN TO FIDUCIAL MARKS OR PCB DATUMS SHALL BE DEFINED BY CUSTOMER.
- △ AREA RESERVED FOR TYCO ELECTRONICS LOGO.
- △ AREA RESERVED FOR PART NUMBER (X-XXXXXX-X) AND DATE CODE (YYWW).
- △ USE CENTERLINES INDICATED ON PCB HOLE PATTERN TO ESTABLISH ALIGNMENT BETWEEN HEADER AND RECEPTACLE BOARDS.

SIZE 3 HOUSING *
96 DIFFERENTIAL PAIRS
309 TOTAL SIGNAL CONTACTS
6 POWER CONTACTS

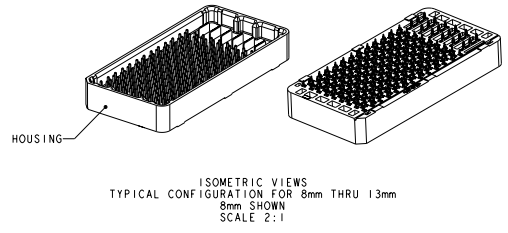
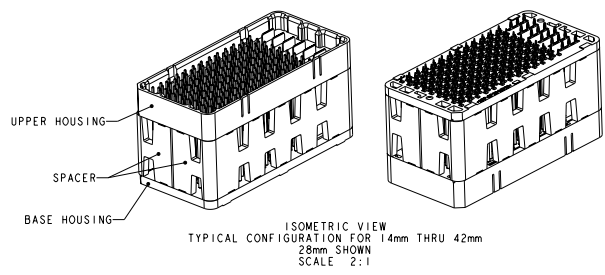
* SIZE 1 AND SIZE 2 ARE ALSO AVAILABLE



THIS PRODUCT HAS NOT COMPLETED VALIDATION AND QUALIFICATION TESTING

DATE: 08 JUN 2009 DRAWING NO: 1001 REV: 00 PART: 108-2375 SPECIFICATION: 108-2375		DATE: 08 JUN 2009 REV: 00 PART: 108-2375 SPECIFICATION: 108-2375		Tyco Electronics Harrisburg, PA 17105-3600	
CUSTOMER DRAWING		HEADER ASSEMBLY 96/309/6P STRADA MESA MEZZANINE CONNECTOR		STATE: CA COUNTY: 00779 CITY: 2110480	
SHEET: 6		TOTAL SHEETS: 11		OF: 4	

REV	DATE	DESCRIPTION	BY	CHK	APP
00		SEE SHEET 1			



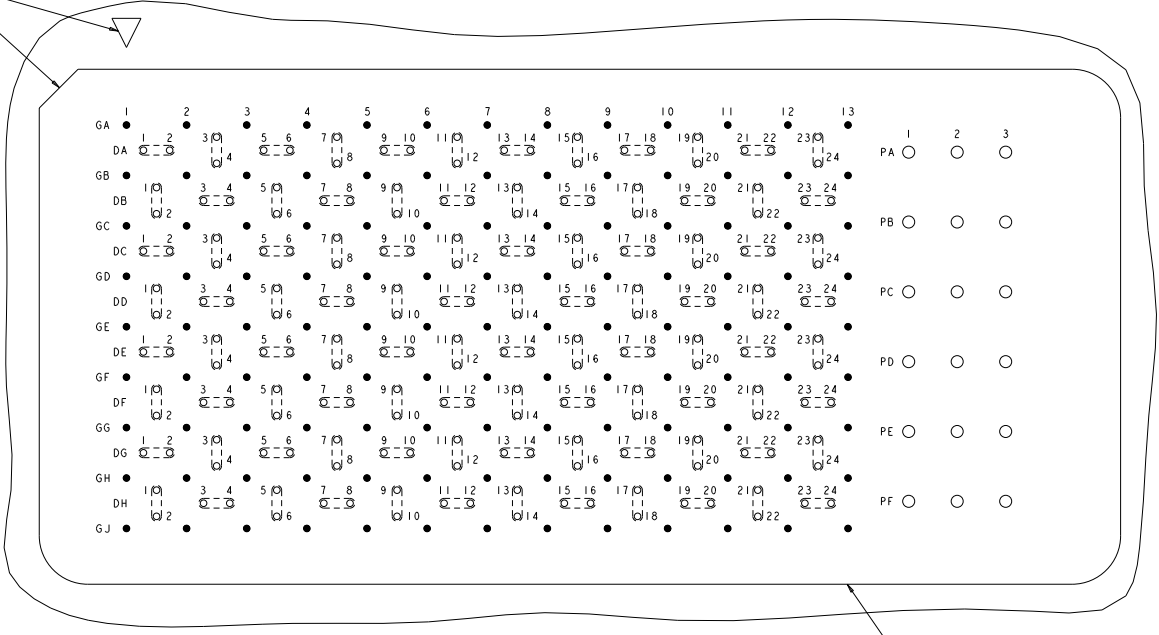
NO	DIM H	STACK HEIGHT	MATTE	CONTACT TAIL PLATING	PART NUMBER
NO	41.8	42mm	MATTE Sn		9-2110480-2
NO	40.8	41mm	MATTE Sn		9-2110480-1
NO	39.8	40mm	MATTE Sn		9-2110480-0
NO	38.8	39mm	MATTE Sn		8-2110480-9
NO	37.8	38mm	MATTE Sn		8-2110480-8
NO	36.8	37mm	MATTE Sn		8-2110480-7
NO	35.8	36mm	MATTE Sn		8-2110480-6
NO	34.8	35mm	MATTE Sn		8-2110480-5
NO	33.8	34mm	MATTE Sn		8-2110480-4
NO	32.8	33mm	MATTE Sn		8-2110480-3
NO	31.8	32mm	MATTE Sn		8-2110480-2
NO	30.8	31mm	MATTE Sn		8-2110480-1
NO	29.8	30mm	MATTE Sn		8-2110480-0
NO	28.8	29mm	MATTE Sn		7-2110480-9
NO	27.8	28mm	MATTE Sn		7-2110480-8
NO	26.8	27mm	MATTE Sn		7-2110480-7
NO	25.8	26mm	MATTE Sn		7-2110480-6
NO	24.8	25mm	MATTE Sn		7-2110480-5
NO	23.8	24mm	MATTE Sn		7-2110480-4
NO	22.8	23mm	MATTE Sn		7-2110480-3
NO	21.8	22mm	MATTE Sn		7-2110480-2
NO	20.8	21mm	MATTE Sn		7-2110480-1
NO	19.8	20mm	MATTE Sn		7-2110480-0
NO	18.8	19mm	MATTE Sn		6-2110480-9
NO	17.8	18mm	MATTE Sn		6-2110480-8
NO	16.8	17mm	MATTE Sn		6-2110480-7
NO	15.8	16mm	MATTE Sn		6-2110480-6
NO	14.8	15mm	MATTE Sn		6-2110480-5
NO	13.8	14mm	MATTE Sn		6-2110480-4
NO	12.8	13mm	MATTE Sn		6-2110480-3
NO	11.8	12mm	MATTE Sn		6-2110480-2
NO	10.8	11mm	MATTE Sn		6-2110480-1
NO	9.8	10mm	MATTE Sn		6-2110480-0
NO	8.8	9mm	MATTE Sn		5-2110480-9
NO	7.8	8mm	MATTE Sn		5-2110480-8
TOOLED	DIM H	STACK HEIGHT	MATTE	CONTACT TAIL PLATING	PART NUMBER

NO	DIM H	STACK HEIGHT	MATTE	CONTACT TAIL PLATING	PART NUMBER
NO	41.8	42mm	Sn/Pb		4-2110480-2
NO	40.8	41mm	Sn/Pb		4-2110480-1
NO	39.8	40mm	Sn/Pb		4-2110480-0
NO	38.8	39mm	Sn/Pb		3-2110480-9
NO	37.8	38mm	Sn/Pb		3-2110480-8
NO	36.8	37mm	Sn/Pb		3-2110480-7
NO	35.8	36mm	Sn/Pb		3-2110480-6
NO	34.8	35mm	Sn/Pb		3-2110480-5
NO	33.8	34mm	Sn/Pb		3-2110480-4
NO	32.8	33mm	Sn/Pb		3-2110480-3
NO	31.8	32mm	Sn/Pb		3-2110480-2
NO	30.8	31mm	Sn/Pb		3-2110480-1
NO	29.8	30mm	Sn/Pb		3-2110480-0
NO	28.8	29mm	Sn/Pb		2-2110480-9
NO	27.8	28mm	Sn/Pb		2-2110480-8
NO	26.8	27mm	Sn/Pb		2-2110480-7
NO	25.8	26mm	Sn/Pb		2-2110480-6
NO	24.8	25mm	Sn/Pb		2-2110480-5
NO	23.8	24mm	Sn/Pb		2-2110480-4
NO	22.8	23mm	Sn/Pb		2-2110480-3
NO	21.8	22mm	Sn/Pb		2-2110480-2
NO	20.8	21mm	Sn/Pb		2-2110480-1
NO	19.8	20mm	Sn/Pb		2-2110480-0
NO	18.8	19mm	Sn/Pb		1-2110480-9
NO	17.8	18mm	Sn/Pb		1-2110480-8
NO	16.8	17mm	Sn/Pb		1-2110480-7
NO	15.8	16mm	Sn/Pb		1-2110480-6
NO	14.8	15mm	Sn/Pb		1-2110480-5
NO	13.8	14mm	Sn/Pb		1-2110480-4
NO	12.8	13mm	Sn/Pb		1-2110480-3
NO	11.8	12mm	Sn/Pb		1-2110480-2
NO	10.8	11mm	Sn/Pb		1-2110480-1
NO	9.8	10mm	Sn/Pb		1-2110480-0
NO	8.8	9mm	Sn/Pb		1-2110480-9
NO	7.8	8mm	Sn/Pb		1-2110480-8
TOOLED	DIM H	STACK HEIGHT	MATTE	CONTACT TAIL PLATING	PART NUMBER

DATE SUBMITTED TO MANUFACTURE: 08 JUN 2009	RECEIVED FOR FABRICATION: 08 JUN 2009	TECH ELECTRONICS CORPORATION Harrisburg, PA 17105-3600
DESIGNED BY: 100101	DESIGNED BY: 08 JUN 2009	HEADER ASSEMBLY
DATE: 08 JUN 2009	DATE: 08 JUN 2009	36/30946P
REV: 001	REV: 001	STRADA MESA HEZMINE CONNECTOR
REV: 002	REV: 002	114-13229
REV: 003	REV: 003	00779@-2110480
REV: 004	REV: 004	CUSTOMER DRAWING

REVISED		REVISIONS	
NO.	DATE	DESCRIPTION	BY
GP	00	SEE SHEET 1	

A1 CORNER INDICATORS.

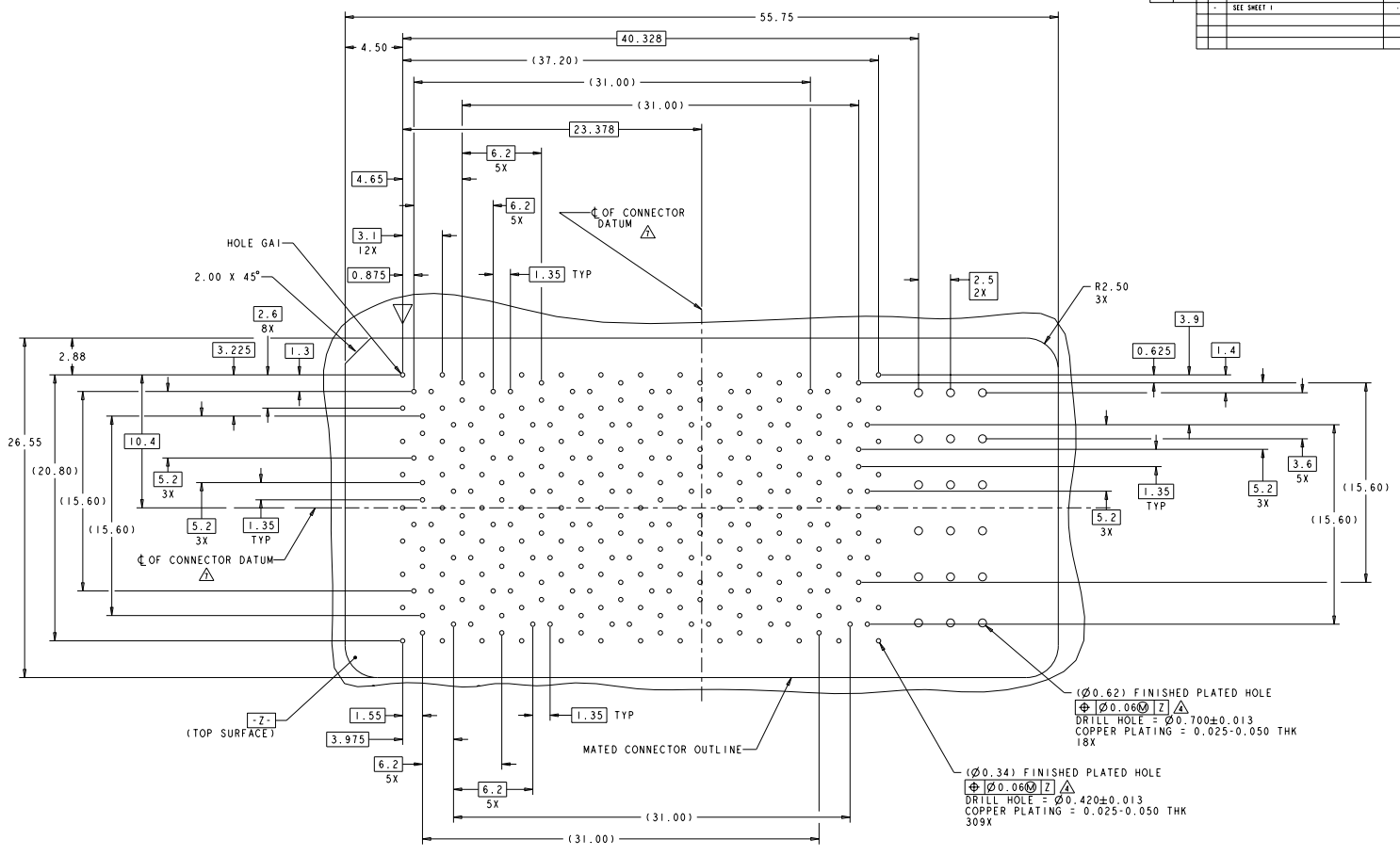


MATED CONNECTOR OUTLINE
SEE SHEET 4 FOR LOCATION TO HOLES

PCB LAYOUT AND PIN IDENTIFICATION
SHOWN FROM CONNECTOR SIDE
SCALE 10:1

DATE: 08 JUN 2009		DATE: 08 JUN 2009	
DRAWN BY: [Signature]		CHECKED BY: [Signature]	
PROJECT: 188-2215		PART: STRADA MESA MEZZANINE CONNECTOR	
REV: 1		DATE: 08 JUN 2009	
SCALE: 10:1		SHEET: 3 OF 4	
CUSTOMER: [Customer Name]		CUSTOMER DRAWING: [Customer ID]	

REV. NO.		DATE	DESCRIPTION	BY	CHK	APP
GP	00		SEE SHEET 1			



PCB HOLE PATTERN
 SHOWN FROM CONNECTOR SIDE
 SCALE 7:1

DATE: 06/26/2009 DRAWN BY: J. LINDLER CHECKED BY: J. LINDLER APPROVED BY: J. LINDLER TITLE: CUSTOMER DRAWING	DATE: 06/26/2009 DRAWN BY: J. LINDLER CHECKED BY: J. LINDLER APPROVED BY: J. LINDLER TITLE: CUSTOMER DRAWING	DATE: 06/26/2009 DRAWN BY: J. LINDLER CHECKED BY: J. LINDLER APPROVED BY: J. LINDLER TITLE: CUSTOMER DRAWING	PCB ELECTRONICS Harrisburg, PA 17105-3600 HEADER ASSEMBLY 36/30948P STRADA MESA MEZZANINE CONNECTOR STATE CASE CODE (SEE PAGE 40) A 00779 ©-2110480 PAGE 6:1 SHEET 4 OF 4
--	--	--	--