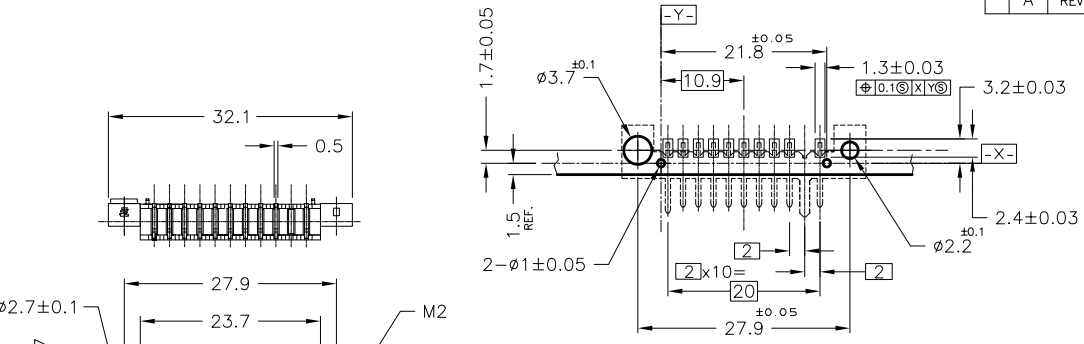


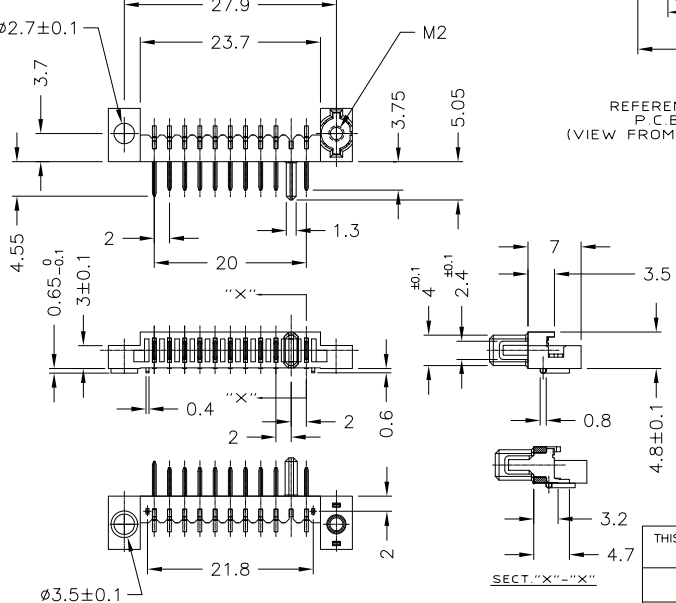
THIS DRAWING IS UNPUBLISHED. RELEASED FOR PUBLICATION
 © COPYRIGHT BY TYCO ELECTRONICS CORPORATION. ALL RIGHTS RESERVED.

REVISIONS				
P	LTR	DESCRIPTION	DATE	DWN APVD
A		REVISED PER ECR-10-011717	30MAY2010	S.W S.Y

1717458-1 : AS SHOWN



REFERENCE P.C BOARD LAYOUT
 P.C BOARD THK 0.8~1.2
 (VIEW FROM CONNECTOR MOUNTING SIDE)



- △ MATERIAL HOUSING : 6T NYLON, UL94V-0
 COLOR ; BLACK
- CONTACT : COPPER ALLOY
- NUT PLATE : STAINLESS STEEL
- △ FINISH CONTACT : Ni 2μm MIN. ALL OVER UNDER PL
 Au PL. 0.3μm MIN. AT CONTACT AREA
 Au FLUSH PL. 0.05~0.15μm AT LEAD AREA

THIS DRAWING IS A CONTROLLED DOCUMENT.		DWN T.KATANO 31OCT03	Tyco Electronics Shanghai, P.R.China, 200233	
DIMENSIONS: MM		CHK T.KIMURA 31OCT03	NAME PLUG ASSEMBLY ONE SIDE NUT TYPE 2mm PITCH BATTERY CONNECTOR	
TOLERANCES UNLESS OTHERWISE SPECIFIED: 1-PLC ± 0.3 2-PLC ± 3-PLC ± 4-PLC ± ANGLES ± 3° FINISH		APVD K.IKEGAMI 31OCT03	PRODUCT SPEC 108-5850	
MATERIAL		APPLICATION SPEC	SIZE A3	CAGE CODE 00779
CUSTOMER DRAWING		WEIGHT	DRAWING NO C=1717458	RESTRICTED TO -
		SCALE 2:1	SHEET 1 of 1	REV A