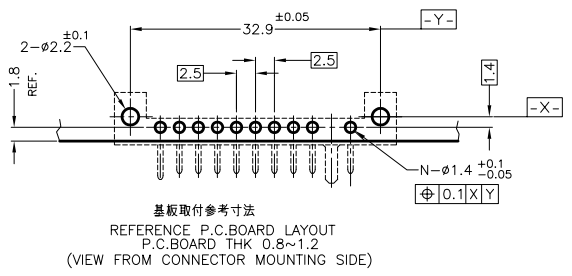
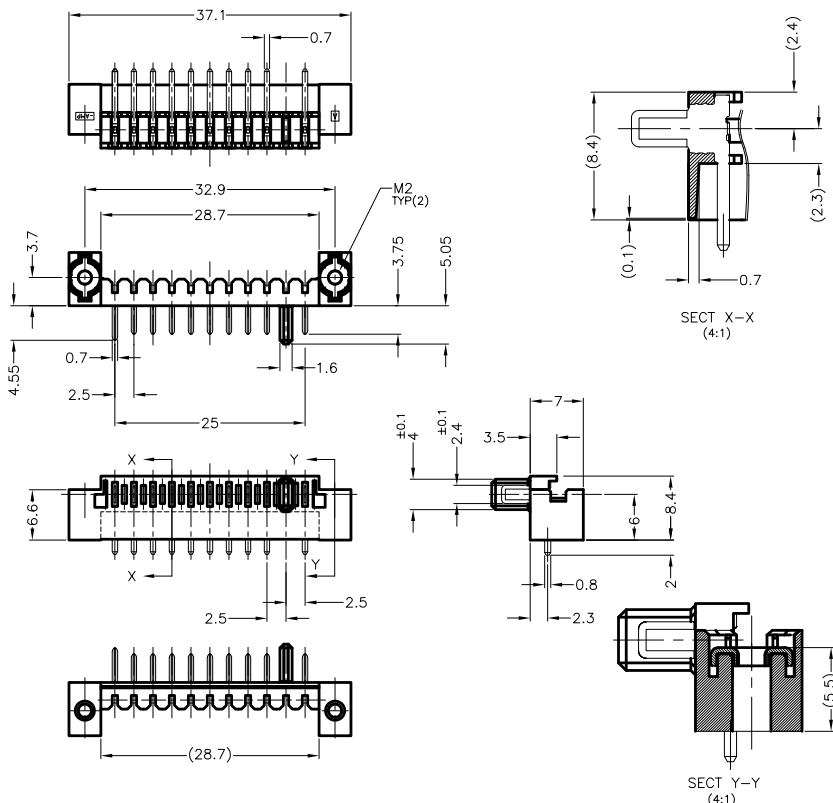


THIS DRAWING IS UNPUBLISHED. RELEASED FOR PUBLICATION
 BY TYCO ELECTRONICS CORPORATION. ALL RIGHTS RESERVED.

LOC	DIST	REVISIONS			
P	LTR	DESCRIPTION	DATE	DWN	APVD
C		REVISED	ECR-08-010341	23APR.08	W.H.S.Y



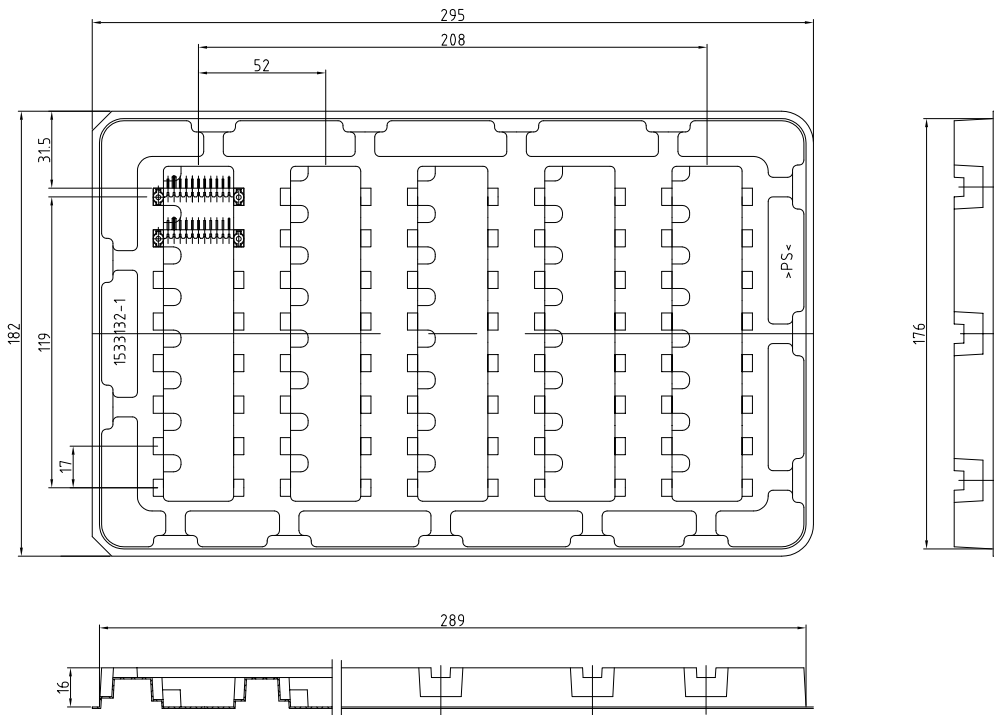
- 注記
- △ 材料 ハウジング: 熱可塑性樹脂 UL94V-0
色: 黒
 - △ コンタクト: 銅合金
 - △ ナット: ステンレス鋼
 - △ 仕上げ コンタクト: Ni 下地メッキ
接触部: 金メッキ
半田付け部: 金フラッシュ
- NOTES
- △ MATERIAL HOUSING: THERMOPLASTIC RESIN, UL94V-0
COLOR: BLACK
 - △ CONTACT: COPPER ALLOY
NUT: STAINLESS STEEL
 - △ FINISH CONTACT: Ni ALL OVER UNDER PL
GOLD PL. AT CONTACT AREA
GOLD FLUSH PL. AT LEAD AREA

THIS DRAWING IS A CONTROLLED DOCUMENT.		DWN T. KATANO 28MAY03	Tyco Electronics AMP K.K. Kawasaki, Japan	
DIMENSIONS: MM		CHK K. IKEGAMI 28MAY03	NAME PLUG ASSEMBLY 2.5mm PITCH BATTERY CONNECTOR	
TOLERANCES UNLESS OTHERWISE SPECIFIED: ①-PLG ±0.2 ②-PLG ±0.25 ③-PLG ±0.3 ④-PLG ±0.3 ANGLES ±		APVD I. ENOMOTO 28MAY03	PRODUCT SPEC 108-5775	
MATERIAL		APPLICATION SPEC	SIZE A3	CAGE CODE 00779
FINISH		WEIGHT	DRAWING NO. C=1717405	RESTRICTED TO
		CUSTOMER DRAWING	SCALE 2:1	SHEET 1 of 3
				REV C

THIS DRAWING IS UNPUBLISHED. RELEASED FOR PUBLICATION
 © COPYRIGHT BY TYCO ELECTRONICS CORPORATION. ALL RIGHTS RESERVED.

LOC		DIST		REVISIONS			
P	LTR	DESCRIPTION	DATE	DNW	APVD		
-	-	SEE SHEET 1	-	-	-		

1717405-1, AS SHOWN



THIS DRAWING IS A CONTROLLED DOCUMENT.		DNW T.KATANO	28MAY03	Tyco Electronics AMP K.K. Kawasaki, Japan
DIMENSIONS: MM		CHK K.IKEGAMI	28MAY03	
TOLERANCES UNLESS OTHERWISE SPECIFIED: ± 1		APVD I.NEMOTO	28MAY03	NAME PLUG ASSEMBLY 2.5mm PITCH BATTERY CONNECTOR
		PRODUCT SPEC 108-5775	APPLICATION SPEC	
MATERIAL		WEIGHT	SIZE A3	CAGE CODE 00779
FINISH		CUSTOMER DRAWING	DRAWING NO. C=1717405	RESTRICTED TO -
			SCALE 2:1	SHEET 2 of 3
			REV C	

