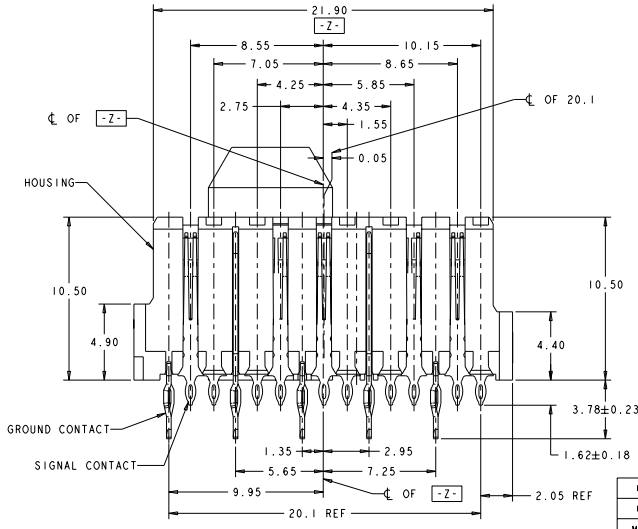


REVISED		REVISIONS			
NO	AD	DATE	DESCRIPTION	BY	CHK
A		16JUN2004	RELEASED	REN	GG
B		REV PER E CO-11-002824		PG	AS

- ▲ HOUSING: LCP, UL94V-0, BLACK.
CONTACT: PHOSPHOR BRONZE.
- ▲ 1.27µm GOLD PER ASTM B 488 IN CONTACT AREA, 1.27µm MIN TIN-LEAD ON COMPLIANT PORTION OF PCB TAIL, BOTH OVER 3.81µm MIN NICKEL PER SAE AMS-00-N-290 ALL OVER.
- ▲ MANUFACTURING TOLERANCE FOR $\varnothing 0.56 \pm 0.05$ DIAMETER FINISHED HOLE:
DRILLED HOLE: $\varnothing 0.65 \pm 0.02$
COPPER PLATING: 0.025 - 0.050
TIN-LEAD PLATING: 0.0038 - 0.0124.
- ▲ 1.27 µm GOLD PER ASTM B 488 IN CONTACT AREA, 0.508µm MIN MATTE TIN PER ASTM B 545 ON COMPLIANT PORTION OF PCB TAIL, BOTH OVER 3.81µm MIN NICKEL PER SAE AMS-00-N-290 ALL OVER.
- ▲ MANUFACTURING TOLERANCE FOR A $\varnothing 0.575 \pm 0.045$ FINISHED HOLE WITHOUT TIN LEAD PLATING:
DRILLED HOLE: $\varnothing 0.65 \pm 0.02$
COPPER PLATING: 0.025 - 0.050
- ▲ POWER PIN PAIRS INDICATED ARE COMMONED AT MATING.



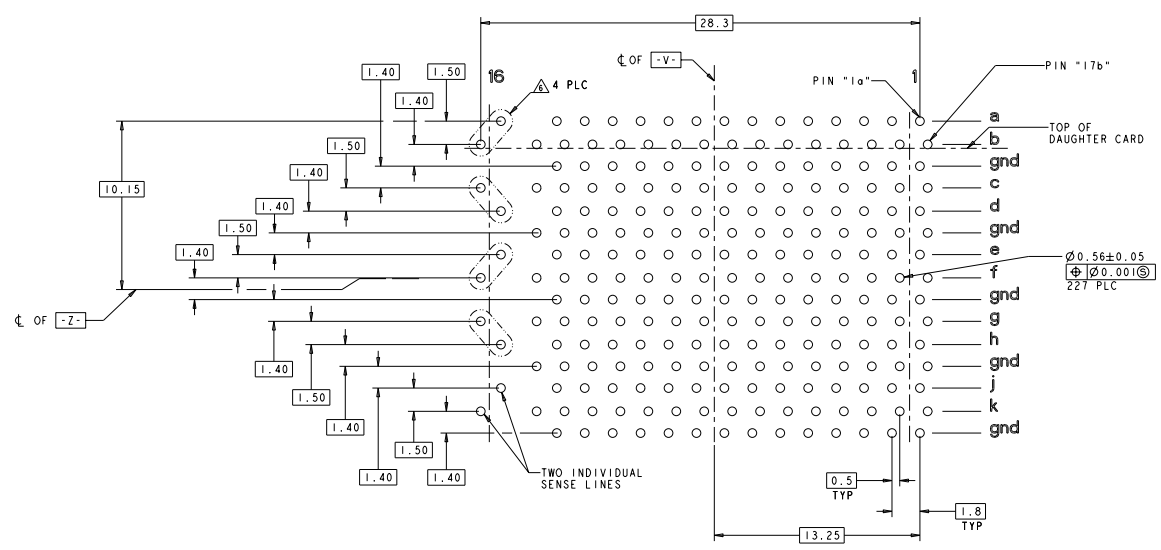
1410479-2		1410480-2
1410479-1		1410480-1
MATES WITH	CONTACT TAIL / HOLE FINISH	PART NO

DATE: 28JUL2005	BY: [Signature]	FOR: THIS ELECTRONICS CORPORATION
APPROVED: [Signature]	DATE: 28JUL2005	DESCRIPTION: VERTICAL RECEPTACLE, ASSEMBLY, RIGHT END FULL, 25.4mm POWER COMBINATION MULTIPURPOSE BACKPLANE CONNECTOR
REV: 01	REV: 01	REV: 01
REV: 01	REV: 01	REV: 01
REV: 01	REV: 01	REV: 01
REV: 01	REV: 01	REV: 01

CUSTOMER DRAWING

PAGE 5:1 OF 2

REV	DATE	DESCRIPTION	BY	CHK	APP
AD	00	SEE SHEET 1			



PC BOARD LAYOUT
 VIEWED FROM CONNECTOR SIDE

DATE: 28 JUL 2005	DESIGNED BY: J. COLLETTA	DATE: 28 JUL 2005	REVISED BY: J. COLLETTA	DATE: 28 JUL 2005
PROJECT: 00778	DESCRIPTION: VERTICAL RECEPTACLE ASSEMBLY, RIGHT END FULL 25.4mm POWER COMBINATION MULTIPIN R1-1 BACKPLANE CONNECTOR	STATE: CA	CITY: SAN JOSE	CUSTOMER: 1410480
CUSTOMER DRAWING		PAGE 2 OF 2 SHEET 2 OF 2		