

4

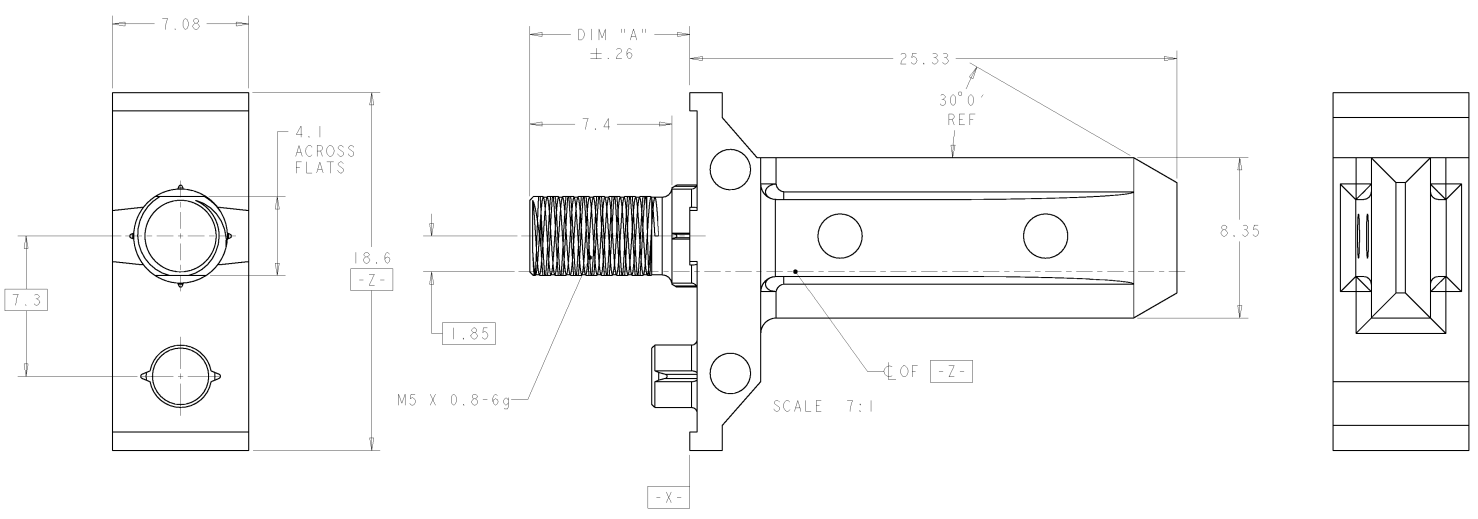
3

2

1

THIS DRAWING IS UNPUBLISHED. RELEASED FOR PUBLICATION BY TYCO ELECTRONICS CORPORATION. ALL RIGHTS RESERVED.

REV	DATE	BY	CHKD	APPD	DESCRIPTION
B	REV PER ECO-06-025222	270627004	BC	GG	
B1	REV PER ECO-07-018424	040627001	BC	GG	



13.10	△	1-1410710-4
11.60	△	1-1410710-3
10.00	△	1-1410710-2
8.72	△	1-1410710-1
△ 13.10	△	1410710-4
△ 11.60	△	1410710-3
△ 10.00	△	1410710-2
△ 8.72	△	1410710-1
DIM "A"	FINISH	PART NUMBER

- △ MATERIAL: ZINC ALLOY
- △ FINISH: HEXAVALENT CHROMATE.
- △ FINISH: TRIVALENT CHROMIUM.
- △ OBSOLETE PART NUMBER.

DIMENSIONS: mm		D PLC #0.1 F PLC #0.13 H PLC #0.088 ANGLES #0.30	DWN E. MORANA CBY G. GRIFFIN APPD G. GRIFFIN	08JUL002 04SEP2007 04SEP2007	Tyco Electronics Harrisburg, PA 17105-3400
MATERIAL FINISH		WEIGHT CUSTOMER DRAWING	APPLICATION SPEC WEIGHT CUSTOMER DRAWING	SIZE A2100779	DRAWING NO 1410710
			SCALE 5:1	SHEET 1 OF 2	RESTRICTED TO REV B1

AMP 1471-8 REV 31MAR2000
PFA/ENGINEER DRAWING

4

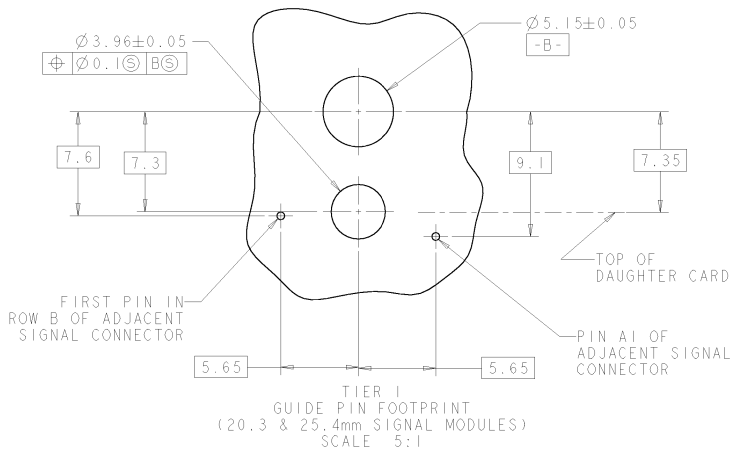
3

2

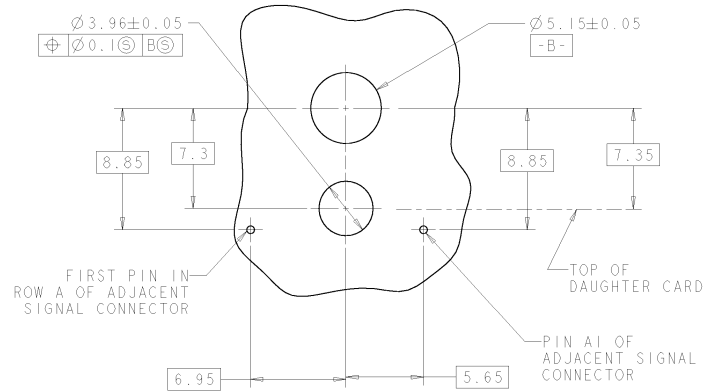
1

THIS DRAWING IS UNPUBLISHED. RELEASED FOR PUBLICATION BY TYCO ELECTRONICS CORPORATION. ALL RIGHTS RESERVED.

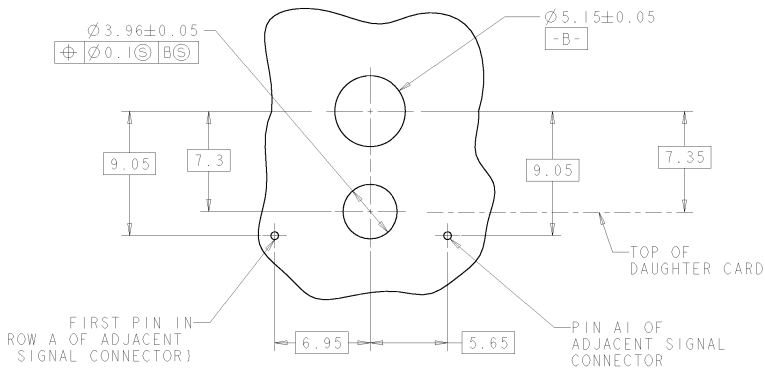
REV. NO.	DATE	BY	CHKD.	DESCRIPTION
00	-	-	-	SEE SHEET 1



TIER 1
GUIDE PIN FOOTPRINT
(20.3 & 25.4mm SIGNAL MODULES)
SCALE 5:1



TIER 2
GUIDE PIN FOOTPRINT
(25.4mm SIGNAL MODULES)
SCALE 5:1



TIER 2
GUIDE PIN FOOTPRINT
(20.3mm SIGNAL MODULES)
SCALE 5:1

DIMENSIONS: mm		DWG NO. 08JUL002 E. MORANA DATE 04SEP2007 G. GRIFFIN APPROV. 04SEP2007 G. GRIFFIN PRODUCT SPEC. APPLICATION SPEC. WEIGHT FINISH	Tyco Electronics Harrisburg, PA 17105-3600 7.2mm GUIDE MODULE BACKPLANE CONNECTOR, MultiGig	SIZE CASE CODE DRAWING NO. A2100779 C-1410710 SCALE 5:1 SHEET 2 OF 2 REV B.1
MATERIAL: - FINISH: -		CUSTOMER DRAWING	RESTRICTED TO: -	RESTRICTED TO: -