

4

3

2

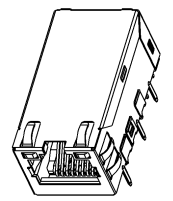
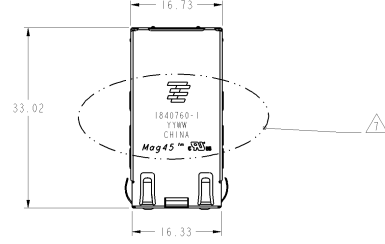
1

THIS DRAWING IS UNPUBLISHED
 COPYRIGHT ©2017 BY TYCO ELECTRONICS CORPORATION. ALL RIGHTS RESERVED.

LOC: AA DIST: D0

REVISIONS				
REV	DATE	BY	APP'D	DESCRIPTION
1	08DEC2008	TY	TX	INITIAL RELEASE
2	04JAN2009	TY	KZ	SEE LAST SHEET
3	26MAR2009	TY	KZ	SEE LAST SHEET

MATERIALS
 HOUSING: THERMOPLASTIC, BLACK, FLAMMABILITY RATING UL 94V-0
 SHIELD: BRASS, PREPLATED WITH MIN 0.76µm SEMI-BRIGHT NICKEL
 POST DIPPED WITH 2.54µm MIN SAC SOLDER AT GROUND PINS
 CONTACT: PHOSPHOR BRONZE WITH 1.27µm MIN OVERALL NICKEL UNDERPLATE AND
 SELECTIVE 1.27µm MIN GOLD PLATING AT MATING INTERFACE
 SOLDER TAILS: PHOSPHOR BRONZE PLATED WITH 2.54µm MIN MATTE TIN OVER 1.27µm MIN NICKEL
 LIGHT PIPE: POLYCARBON, TRANSPARENT, RATING UL 94V-0
 LED: DIFFUSED EPOXY LENS, 0.50mm SQUARE CARBON STEEL WIREFRAME LEADS
 PREPLATED WITH 2.03µm MIN SILVER OVER 1.02µm MIN NICKEL UNDERPLATE
 OVER 1.02µm MIN COPPER UNDERPLATE, POST PLATED WITH 2.54µm MIN MATTE TIN

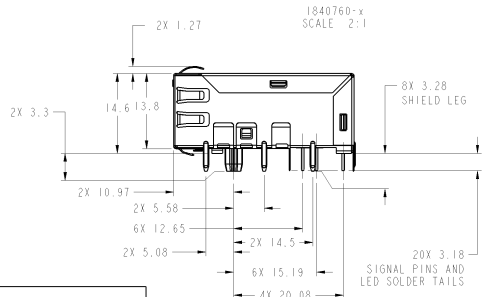
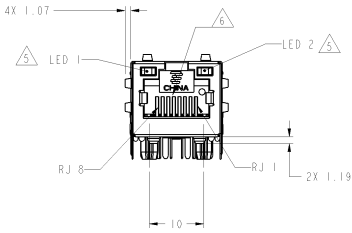


MAGNETICS
 - APPLICATION: 100/1000/10G BASE-T
 - IMPEDANCE: 100 OHMS
 - TURNS RATIO (SHIP/CABLE): 1:1 ALL FOUR PAIRS
 - OPEN CIRCUIT INDUCTANCE (OCL): 180 µH MIN @100KHz, 0.1VRMS,
 8mA DC BIAS FROM 0°C TO 70°C, ALL FOUR PAIRS
 - ALL FOUR PAIRS BI-DIRECTIONAL
 - PERFORMANCE @ 25°C (WHERE F IS FREQUENCY IN MHz OVER THE RANGE OF 1MHz TO 500MHz):
 INSERTION LOSS (IL):
 1.0 dB MAX. (1MHz<=f<=2MHz)
 0.5 dB MAX. (2MHz<=f<=50MHz)
 1.0 dB MAX. (50MHz<=f<=200MHz)
 +5log10(f/200) dB MAX. (200MHz<=f<=500MHz)

RETURN LOSS (RL):
 22 dB MIN. (0.5MHz<=f<=1MHz)
 25 dB MIN. (1MHz<=f<=10MHz)
 25+10log10(f/10) dB MIN. (10MHz<=f<=50MHz)
 32-7log10(f/50) dB MIN. (50MHz<=f<=100MHz)
 26-13log10(f/200) dB MIN. (100MHz<=f<=200MHz)
 26-23log10(f/200) dB MIN. (200MHz<=f<=300MHz)
 22-36log10(f/300) dB MIN. (300MHz<=f<=400MHz)
 12-56log10(f/500) dB MIN. (400MHz<=f<=500MHz)

CM TO DM: (dB MIN.) LINE TO PHY SIDE
 48dB MIN. (1MHz<=f<=50MHz)
 48-20log10(f/50)dB MIN. (50MHz<=f<=500MHz)
 DM TO CM: (dB MIN.) PHY TO LINE SIDE
 48dB MIN. (1MHz<=f<=50MHz)
 48-20log10(f/50)dB MIN. (50MHz<=f<=500MHz)

CM TO CM: (dB MIN.)
 20 dB MIN. (1MHz<=f<=500MHz)
 CROSSTALK ATTENUATION (NEXT): (dB MIN.)
 20 dB MIN. (1MHz<=f<=500MHz)



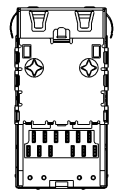
- ISOLATION VOLTAGE: 2250VDC(MAX) FOR 60 SECS WITH A RISE TIME OF 500V/SEC

THE MAGNETIC CIRCUIT ON ALL FOUR CHANNELS IS SYMMETRICAL AND SUPPORTS AUTO-MDIX OPERATION

4. OPERATING TEMPERATURE: 0°C ~ 70°C

LEDS ARE DRIVEN WITH CONSTANT CURRENT AT APPROX 20mA
 LED COLOR: DOMINANT WAVELENGTH (λD): GREEN 568 nm TYP. @ IF=20mA
 FORWARD VOLTAGE (VF): GREEN 2.2V TYP. @ IF=20mA
 DOMINANT WAVELENGTH (λD): YELLOW 588 nm TYP. @ IF=20mA
 FORWARD VOLTAGE (VF): YELLOW 2.1V TYP. @ IF=20mA
 DOMINANT WAVELENGTH (λD): ORANGE 610 nm TYP. @ IF=20mA
 FORWARD VOLTAGE (VF): ORANGE 2.1V TYP. @ IF=20mA

THIS PRINT IS
PRELIMINARY
 UNQUALIFIED PRODUCT
 CONTACT PRODUCT ENGINEERING
 BEFORE USING THIS PRINT

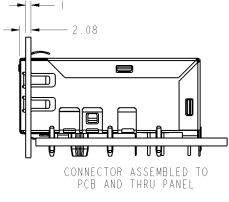
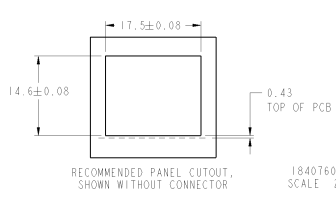


RJ45 CAVITY CONFORMS TO FCC RULES AND REGULATION PART 68 SUBPART F

TYCO ELECTRONICS LOGO, PART NUMBER, DATE CODE, COUNTRY OF ORIGIN, AGENCY APPROVAL MARKING IN APPROPRIATE LOCATION SHOWN

THESE PARTS ARE RECOMMENDED FOR WAVE SOLDERING PROCESS. PEAK WAVE SOLDERING TEMPERATURE IS 260°C, 10sec MAX.

GREEN/YELLOW	GREEN	1840760-8
GREEN	YELLOW	1840760-4
GREEN	GREEN/YELLOW	1840760-3
GREEN/ORANGE	YELLOW	1840760-2
GREEN	GREEN	1840760-1
LED	LED	PART NUMBER



DIMENSIONS	
ITEM	OPERATED SPEC
0 P/PC #8.25	
1 P/PC #8.25	
2 P/PC #8.25	
3 P/PC #8.25	
4 ANGLES #8.25	
MATERIAL	FINISH

LOWER YIELD	08DEC2008	Tyco Electronics ChangPing,China
REVISIONS	08DEC2008	
APPROVALS	08DEC2008	NAME
PRODUCT SPEC	08DEC2008	DATE
APPLICATION SPEC		CASE CODE
REIGHT		DRAWING NO
CUSTOMER DRAWING		SCALE

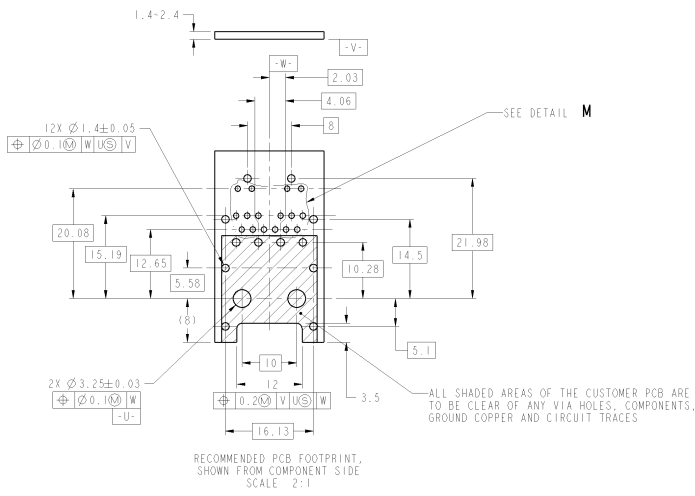
ITG06 SERIES 10GIGABIT CIRCUIT SHIELDED,LEDS,TAB UP

A2 00779 ©=1840760

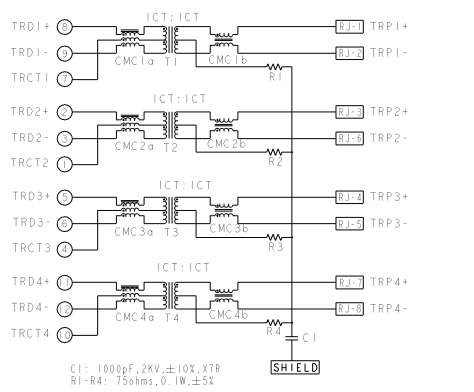
RESTRICTED TO

AMP 1471-9 REV 31MAR2000

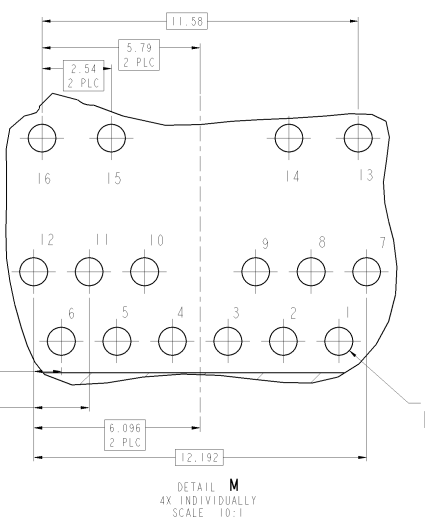
LOC	DIST	REV	DESCRIPTION	DATE	DES	APP
AA	D0	1	SEE SHEET 1	-	-	-



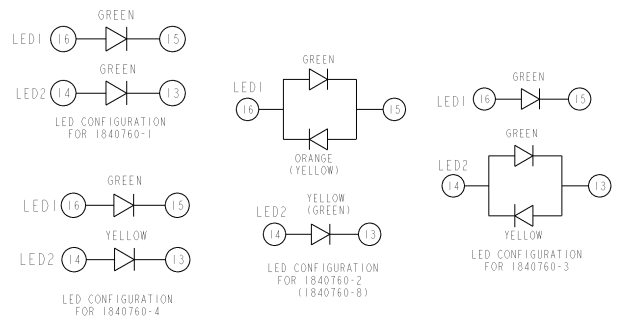
ITG06 100/1000/10G BASE-T CIRCUIT



C1: 1000pF, 2kV, ±10%, X7R
 R1-R4: 75ohms, 0.1W, ±5%



THIS PRINT IS
PRELIMINARY
 UNQUALIFIED PRODUCT
 CONTACT PRODUCT ENGINEERING
 BEFORE USING THIS PRINT



DIMENSIONS: ITEM: 0 PLC #0.25, 1 PLC #0.25, 2 PLC #0.25, 3 PLC #0.25, 4 PLC #0.25, ANGLES #0.25		DATE: 08DEC2008 CHG: TOWER, YU APPD: DENNIS, CHEN PREPARED BY: XILONG APPLICATION SPEC: - REIGHT: - CUSTOMER DRAWING: -		Tyco Electronics ChangPing, China NAME: 1X1 MAG45 MODULAR JACK, ITG06 SERIES 10GIGABIT CIRCUIT SHIELDED, LEDS, TAB UP SIZE: CASE CODE DRAWING NO: A200779 ©=1840760 RESTRICTED TO: -	
MATERIAL: FINISH:		SCALE: 1:1 SHEET: 2 OF 3 REV: 3			

4

3

2


1

THIS DRAWING IS UNPUBLISHED
 RELEASED FOR PUBLICATION
 COPYRIGHT © 2007 BY TYCO ELECTRONICS CORPORATION. ALL RIGHTS RESERVED.

LOC	QTY	REV	DESCRIPTION	DATE	BY	APPV
AA	00		SEE SHEET 1	-	-	-

1840760_C				STOCK DISPOSITION				
REVISION HISTORY				A: CONTINUE AS IS B: REWORK C: SCRAP D: USE OLD FIRST E: PARTS TO CONFORM F: OTHER				
DATE	REV	CHANGES	REASON	APPROVAL	INVENTORY (A,B,C,D,E,F)	WORK IN PROCESS (A,B,C,F)	SUPPLIER ORDERS (A,E,F)	OPEN CUST ORDERS (A,E,F)
08DEC08	1	INITIAL RELEASE	INITIAL RELEASE	TEDDY XIANG	-	-	-	-
06JAN09	2	SHEET 1, A2, UPDATED VIEW SHOWING THE TWO ADDITIONAL PINS SHEET 1, B1, CHANGE 18X A TO 20X A SHEET 2, D3, ADD TWO DIMENSIONS: 2.03, 4.06 SHEET 2, D4, CHANGE 10X TO 12X	PRODUCT IMPROVEMENT	KEITH ZHU	-	-	-	-
26MAR09	3	TITLE BLOCK, B SHEET 2, D2, CHANGE BTG02 TO ITG06 SHEET 1, TITLE BLOCK, ADD DASH PINS 18-40T06-P SHEET 1, B1, CHANGE DIM A TO 3.18 SHEET 1, NOTE 2, CHANGE DCL FROM 200uH TO 180uH	PRODUCT IMPROVEMENT	KEITH ZHU	-	-	-	-

THIS PRINT IS
PRELIMINARY
 UNQUALIFIED PRODUCT
 CONTACT PRODUCT ENGINEERING
 BEFORE USING THIS PRINT

DIMENSIONS: ITEM: 		TOLERANCES UNLESS OTHERWISE SPECIFIED: OPERATED: ±0.15 FINISH: #0.25 #0.25 #0.25 #0.25 #0.25 ANGLES: #0.25		DWG: TOWER_YJL 08DEC2008 CHG: TOWER_YJL 08DEC2008 APPV: TERRYLIU_XLW 08DEC2008 PRODUCT SPEC: - APPLICATION SPEC: - WEIGHT: - MATERIAL: FINISH	TycO Electronics ChangPing, China NAME: ITX1 MAG45 MODULAR JACK, ITG06 SERIES 10GIGABIT CIRCUIT SHIELDED, LEDS, TAB UP SIZE: A2 CASE CODE: 00779 DRAWING NO: 1840760 RESTRICTED TO: - CUSTOMER DRAWING SCALE: 1:1 SHEET: 3 OF 3 REV: 3
---	--	---	--	---	--