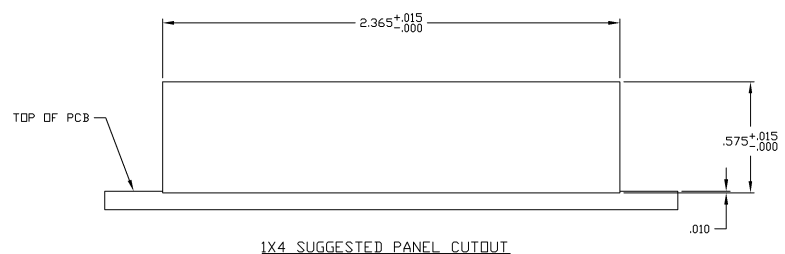
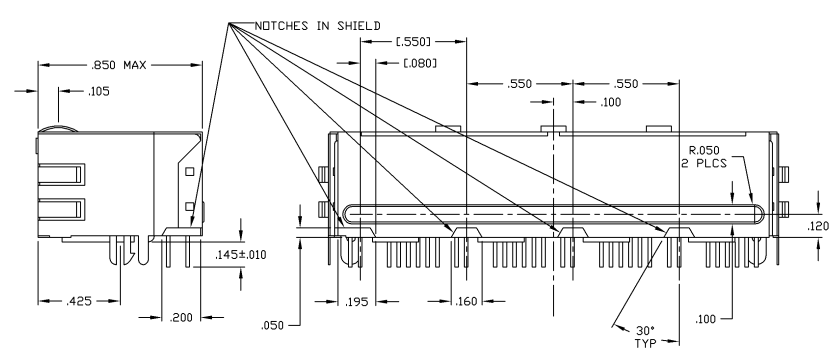
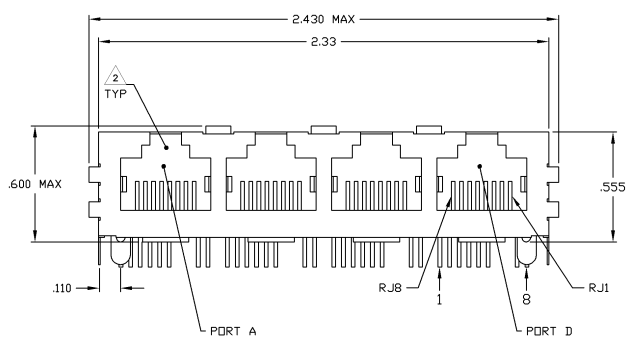


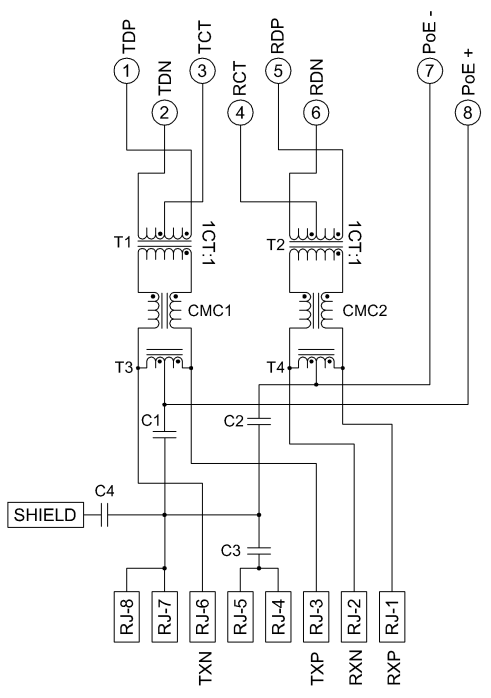
- MATERIALS**
 - HOUSING - THERMOPLASTIC PET POLYESTER FLAMMABILITY RATING UL 94V-0
 - SHIELD - .010" THICK C26800 BRASS PREPLATED WITH .50MIL MIN SEMI-BRIGHT NICKEL. SOLDER TABS POST DIPPED WITH .50MIL MIN SAC SOLDER
 - MOD JACK CONTACTS - .0185" X .018" PHOSPHOR BRONZE, .50MIL MIN OVERALL NICKEL UNDERPLATE WITH SELECT .50MIL MIN HARD GOLD FINISH PLATE
 - SOLDER TAILS WITH .50MIL MIN MATTE TIN AND/OR SAC SOLDER DIP.
- RJ45 JACK CAVITY CONFORMS TO FCC RULES AND REGULATIONS PART 68, SUB PART F.
- MAGNETICS**
 - APPLICATION: 10/100 BASE-T
 - IMPEDANCE: 100 OHMS
 - TURNS RATIO (CHP-CABLE): TX = 1:1, RX = 1:1
 - OPEN CIRCUIT INDUCTANCE (OCIL): 350pH MIN @ 100MHz, 0.1V RMS, BRIDGE BIAS FROM 0% TO 100% TX AND RX
 - PERFORMANCE @ 25°C
 - INSERTION LOSS (IL): 1.5dB MAX FROM 0.5MHz TO 100MHz
 - RETURN LOSS (RL): 18dB MIN FROM 0.5MHz TO 30MHz
 - 18-20.0GHz/30dB MIN FROM 30.1MHz TO 40MHz
 - 12dB MIN FROM 40.1MHz TO 80MHz
 - CROSSTALK ATTENUATION: 35dB MIN FROM 0.5MHz TO 40MHz
 - 33-20.0GHz/50dB MIN FROM 40.1MHz TO 100MHz
 - 12dB MIN FROM 100.1MHz TO 800MHz
 - COMMON MODE REJECTION RATIO (CMRR): 30dB MIN FROM 0.5MHz TO 100MHz
 - DIELECTRIC ISOLATION VOLTAGE: COMPLIES WITH IEEE802.3 2003af, PARA 33.4.1, ITEM a
- OPERATING TEMPERATURE FROM 0°C TO -70°C.
- INDICATED MAGNETIC CONNECTIONS ARE SYMMETRICAL TO SUPPORT AUTO-INDUCTION.
- TYCO ELECTRONICS LOGO, PART NUMBER, DATE CODE, COUNTRY OF ORIGIN AND AGENCY APPROVAL MARKING IN APPROPRIATE LOCATION SHOWN.
- THE PART IS RECOMMENDED FOR WAVE SOLDERING PROCESS. PREHEAT TEMPERATURE IS 100°C TO 140°C, 100 SECONDS TO 180 SECONDS. PEAK WAVE SOLDERING TEMPERATURE IS 240°C MAX, 10 SECONDS MAX.



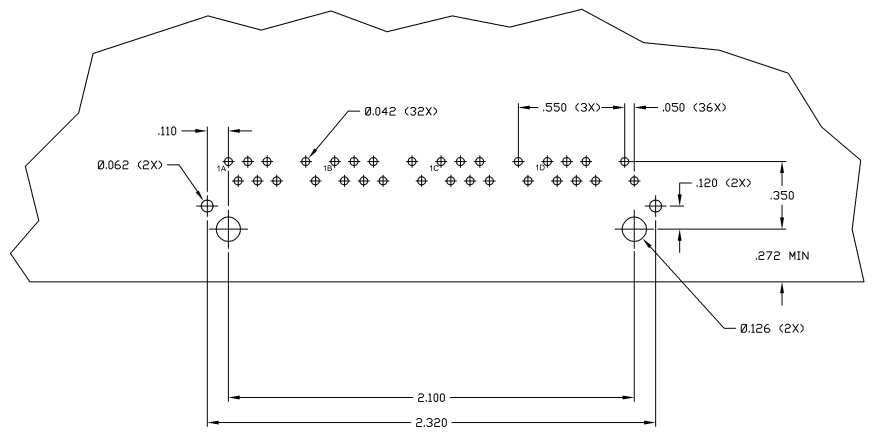
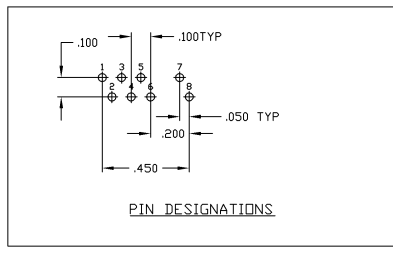
1X4 SUGGESTED PANEL CUTOUT

1840510-1		PART NUMBER	
THIS DRAWING IS A CONTROLLED DOCUMENT			
DESIGNER	DATE	REVISED	DATE
DR	03-08-0702	REVISED	03-08-0702
BY	03-08-0702	BY	03-08-0702
CHKD	03-08-0702	CHKD	03-08-0702
APP'D	03-08-0702	APP'D	03-08-0702
DATE	03-08-0702	DATE	03-08-0702
SCALE	A1	SCALE	A1
CUSTOMER DRAWING	00779	CUSTOMER DRAWING	00779
SCALE	1:1	SCALE	1:1
SHEET	1	SHEET	2
TOTAL	2	TOTAL	2

SCHEMATIC 7R55



C1-C3=0.01uF 500V CAPACITORS
 C4=1000pF, 4kVDC CAPACITOR



SUGGESTED PCB LAYOUT
 (Component Side)

THIS DRAWING IS A CONTROLLED DOCUMENT		REVISED	DATE	BY	APPROVED
DESIGNER	DATE	REVISED	DATE	BY	APPROVED
DRG NO.	REV	DATE	BY	APPROVED	
1008-2100					
CUSTOMER DRAWING			SCALE	SHEET	REV
			1:1	2	B